



# KT-RHLED100-10C-8XX-VDIM-P

## ROUND LED HIGH BAY FIXTURE

### DESCRIPTION

Compact Round LED High Bay Fixture | Wet Location Rated

### APPLICATION

Used for commercial and industrial high bay lighting applications



### PRODUCT FEATURES

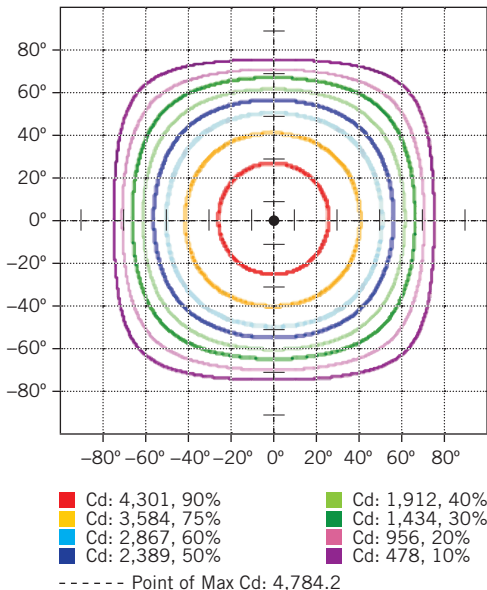
- IP65 rated, wet location
- Powered by Keystone 0–10V dimming LED driver
- Ambient operating temperature: –40°C/–40°F to 45°C/113°F
- LED lifetime: L70 >100,000 hours @ 25°C fixture ambient
- Ring bolt mounting accessory included with safety hanging kit
- 0–10V dimming, 10% minimum
- THD: <20%
- 6' cord for input and dimming wires
- Powder-coated aluminum housing; Polycarbonate lens
- Low optical flicker
- Built-in 4kV surge protection
- Listed on QPL DLC, Premium

### PERFORMANCE SPECIFICATIONS

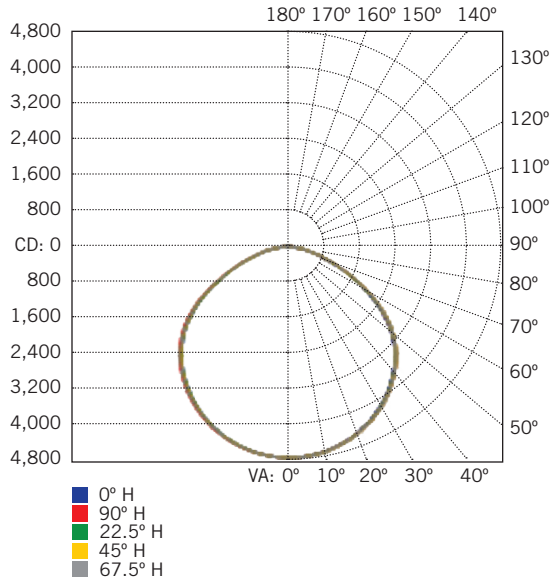
Catalog Number	Input Voltage	Wattage	Color Temperature	Lumen Output	CRI	Power Factor	Efficacy	Beam Angle
KT-RHLED100-10C-840-VDIM-P	120–277V	100W	4000K	13,000 lm	>82.0	>0.92	130 lm/W	110°
KT-RHLED100-10C-850-VDIM-P	120–277V	100W	5000K	13,100 lm	>82.0	>0.92	131 lm/W	110°

### PHOTOMETRIC SPECIFICATIONS

#### ISOCANDELA PLOT



#### POLAR CANDELA DISTRIBUTION



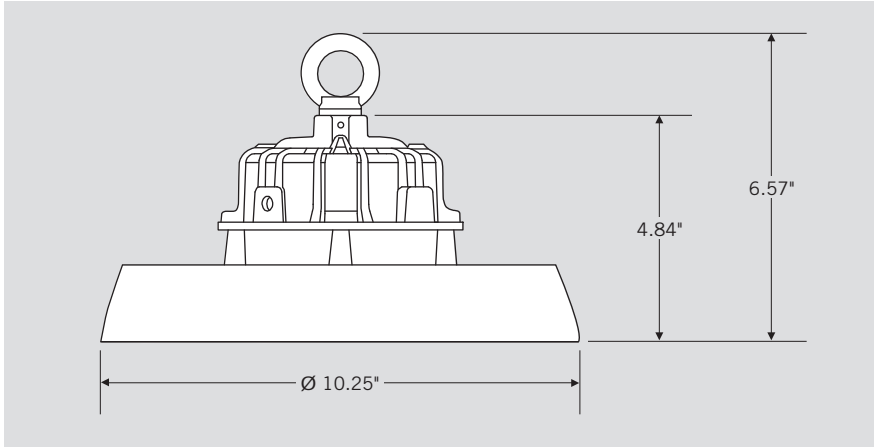
#### ZONAL LUMEN SUMMARY

Zone	Lumens	% Luminaire
0–30	3,762.7	29.0%
0–40	6,217.2	47.9%
0–60	11,017.0	85.0%
60–90	1,914.3	14.8%
70–100	479.0	3.7%
90–120	7.5	0.1%
0–90	12,931.3	99.7%
90–180	35.3	0.3%
0–180	12,966.6	100%

# KT-RHLED100-10C-8XX-VDIM-P

## ROUND LED HIGH BAY FIXTURE

### PHYSICAL SPECIFICATIONS



### ACCESSORIES (SOLD SEPARATELY)

Catalog Number	Description
KT-RHLED-AR90-1	Aluminum Dome Reflector for 100W, 90° beam angle
KT-RHLED-JBOX-PM	J-Box optimized for pole pendant application
KT-RHLED-SM-1-KIT	Steel Surface Mount Kit; includes mounting hardware
KT-RHLED-WG-1-KIT	Thick steel wire; premium black powdercoat construction; includes mounting hardware
KTS-MW2-12V-WL /A	High Bay Microwave Occupancy Sensor for use with Round High Bay Gen1 fixtures
KTS-MW2-12V-WL /B	High Bay Microwave Occupancy Sensor for use with Round High Bay Gen1 fixtures

### ORDERING INFORMATION

Order Code	Packaging Style	Pack Quantity	Item Status
KT-RHLED100-10C-840-VDIM-P	Carton Pack	1	Active
KT-RHLED100-10C-850-VDIM-P	Carton Pack	1	Active

### CATALOG NUMBER BREAKDOWN

# KT-RHLED100-10C-8XX-VDIM-P

1 2 3 4 5 6 7 8

- 1 Keystone Technologies
- 2 Round LED High Bay
- 3 Wattage
- 4 10" Diameter
- 5 800 Series
- 6 Color Temperature
- 7 0-10 Dimming
- 8 Premium Series