



KT-FLED35-R1A-UNV-8CSB-VDIM-W

COMPACT 35W GENERAL-PURPOSE LED FLOOD LIGHT

DESCRIPTION

Compact 35W General-Purpose LED Flood Light | 120–277V Input | 3000–5000K | White Housing | Multiple Mounting Options

APPLICATION

Building Mount or Ground Mount for outdoor illumination (landscapes, display signage, loading docks, building façades, pathways, parking areas, and other general site lighting requirements)



PRODUCT FEATURES

- Uniform, wide flood design (NEMA 7h x 7w distribution pattern)
- Heavy-duty, die cast aluminum housing featuring built-in glare visor and tempered glass lens
- Powered by Keystone 0–10V dimming LED drivers
- Keystone Color Select Technology: Adjustable CCT (3000K, 4000K, or 5000K)
- Built-in dusk-to-dawn photocell behind translucent 3/4" threaded plug with anti-yellowing agent
- Heavy-duty 1/2" knuckle mount with 90° adjustment and yoke mount options included
- Ambient operating temperature: –20°C/–4°F to 45°C/113°F
- UL listed for wet locations, IP65
- 0–10V dimming, 10% min
- Power Factor: >0.95
- THD: <20%
- LED chip lifetime: L70 >100,000 hrs @ 25°C/77°F ambient fixture temp
- Meets FCC Part 15, Part B, Class A standards for conducted and radiated emissions

ELECTRICAL SPECIFICATIONS

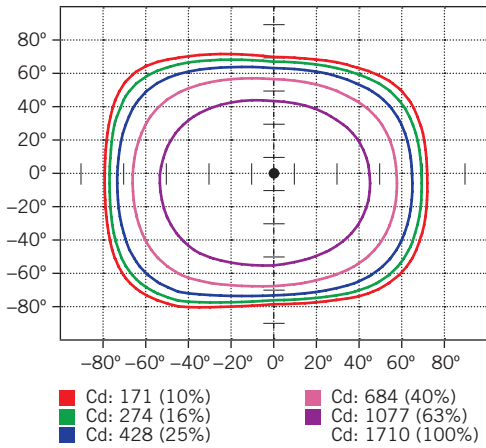
Catalog Number	Wattage	Lumens	Dimming	CCT*	Efficacy	CRI	Housing Color	Mounting	Input Voltage	Rated Life	Legacy Equivalent
KT-FLED35-R1A-UNV-8CSB-VDIM-W	35W	4480 lm	0–10V	3000K	128 lm/W	>80	White	Universal: 1/2" Knuckle or yoke	120–277V	50,000 hrs	150–175W MH
		5075 lm		4000K	145 lm/W						
		4900 lm		5000K	140 lm/W						

* Color Uniformity: CCT (Correlated Color Temperature) range as per guidelines outlined in ANSI C78.377-2017

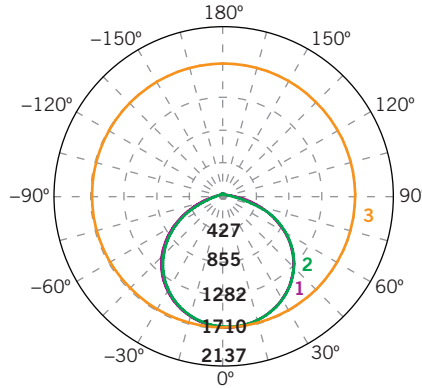
KT-FLED35-R1A-UNV-8CSB-VDIM-W
COMPACT 35W GENERAL-PURPOSE LED FLOOD LIGHT

PHOTOMETRIC SPECIFICATIONS

ISOCANDELA PLOT



LUMINOUS INTENSITY DISTRIBUTION



Average diffuse angle (50%): **114.3°**

- 1 Violet C0-C180
 - 2 Green C90-C270
 - 3 Orange G3
- Unit: cd

FLUX DISTRIBUTION

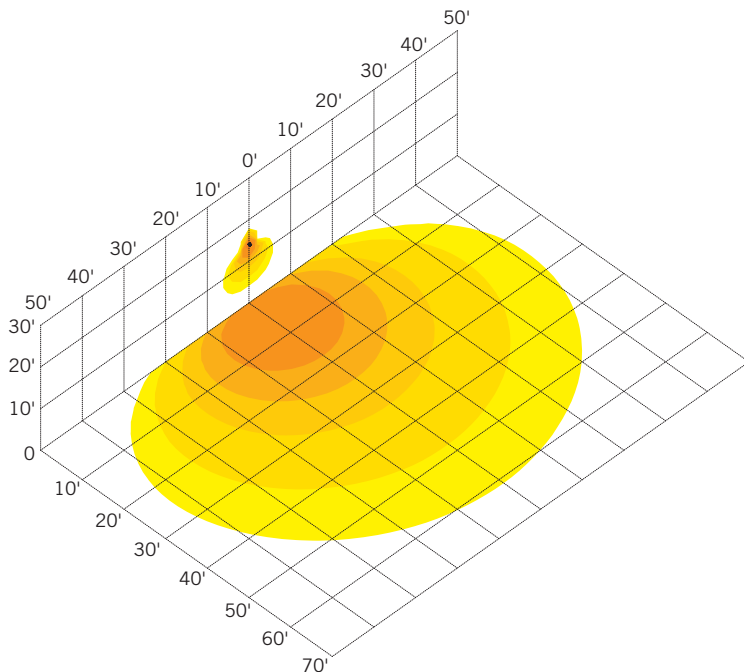
Zone	Lumens	% Luminaire
Forward Light	2,527 lm	53.2%
0°-30°	675 lm	14.2%
30°-60°	1,366 lm	28.8%
60°-80°	471 lm	9.9%
80°-90°	15 lm	0.3%
Back Light	2,181 lm	46.0%
0°-30°	656 lm	13.8%
30°-60°	1,223 lm	25.8%
60°-80°	297 lm	6.3%
80°-90°	5 lm	0.1%
Up Light	39 lm	0.8%
90°-100°	2 lm	0.0%
100°-180°	36 lm	0.8%

BUG* Rating	
Asymmetrical Luminaire Types	
Type I, II, III, IV	B2 U2 G1
Quadrilateral Symmetrical Luminaire Types	
Type V, Area Light	B2 U2 G1

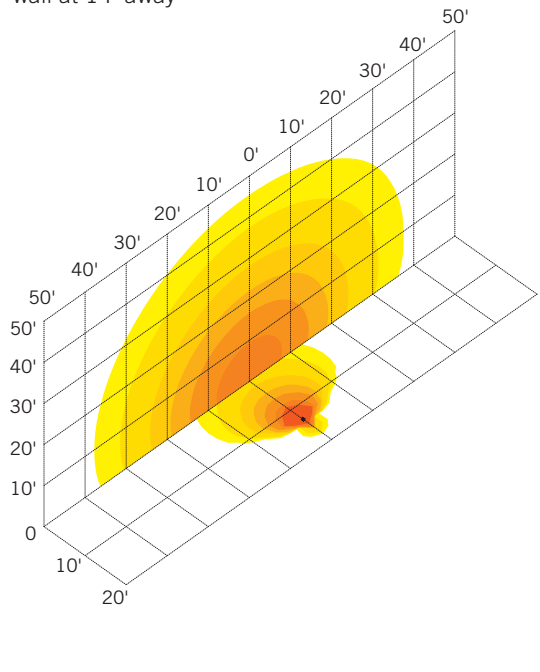
* Backlight, Uplight, Glare

LIGHT DISTRIBUTION PATTERNS (Isometric view from above)

Building exterior mounted at 15',
30° below horizontal



Ground mounted at 6' above ground,
10° above horizontal, shining towards building exterior
wall at 14' away



- 0.1 fc
- 0.2 fc
- 0.5 fc
- 1.0 fc
- 2.0 fc
- 5.0 fc
- 10.0 fc

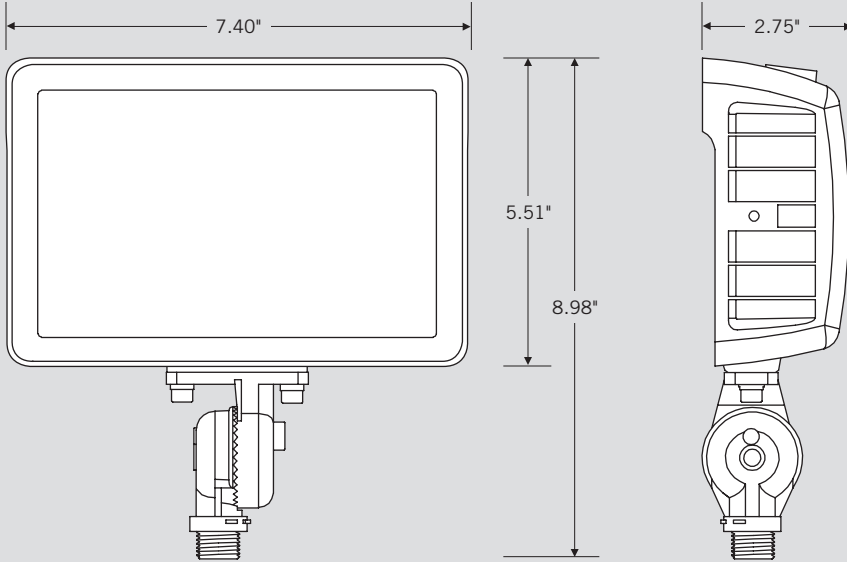


KT-FLED35-R1A-UNV-8CSB-VDIM-W

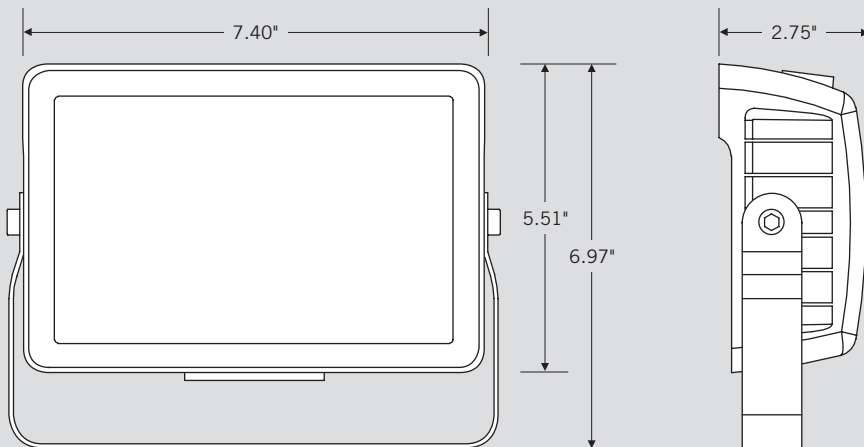
COMPACT 35W GENERAL-PURPOSE LED FLOOD LIGHT

PHYSICAL SPECIFICATIONS

NUCKLE MOUNT



YOKE MOUNT



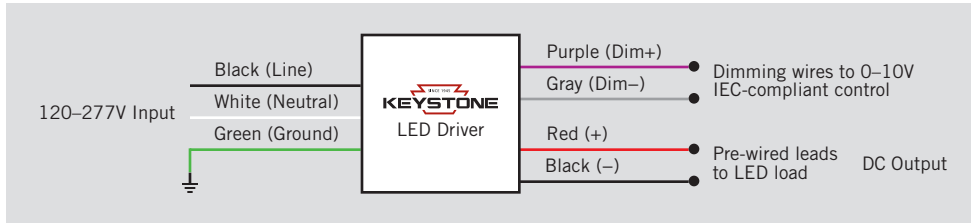


KT-FLED35-R1A-UNV-8CSB-VDIM-W

COMPACT 35W GENERAL-PURPOSE LED FLOOD LIGHT

GENERAL SETUP INSTRUCTIONS

GENERAL WIRING DIAGRAM

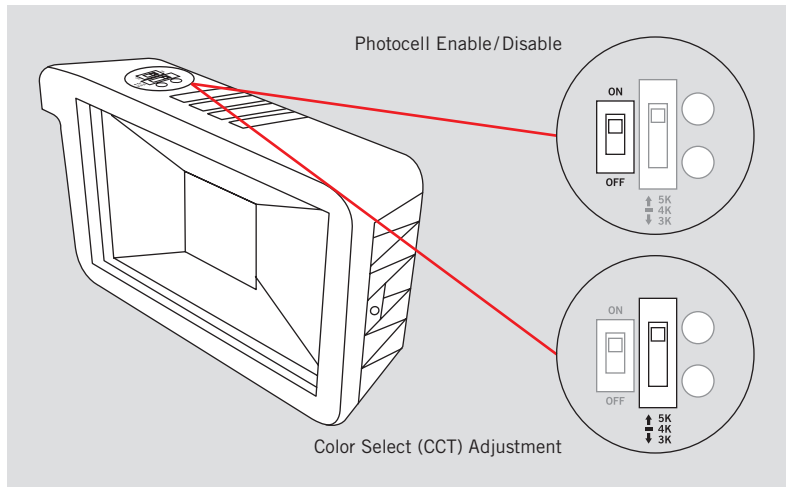


Caution: Before installing, make certain that AC power to the fixture is off.

Caution: The electrical rating of this product is 120–277V. Installer must confirm that there is 120–277V at the fixture before installation.

PHOTOCELL ENABLE/DISABLE

This fixture is equipped with a dusk-to-dawn photocell behind the translucent knock-out (KO) cover. Adjust the dip switch to enable (ON) or disable (OFF) the photocell function (see illustrations to the right). Fixture comes preset with photocell enabled unless otherwise noted.



COLOR SELECT (CCT) ADJUSTMENT

This fixture is equipped with Color Select technology. There is an adjustable dip switch behind the translucent knock-out (KO) cover to change CCT between 5000K, 4000K, and 3000K (see illustrations to the right). Fixture comes preset at 5000K unless otherwise noted.

ACCESSORIES (SOLD SEPARATELY)

Catalog Number	Description
KT-FLED-SM-1-KIT	Flood Light Wall Mount Kit
KT-FLED-RC-4-W	4" Round Flood Light Junction Box Cover, White
KT-FLED-RC-4	4" Round Flood Light Junction Box Cover, Bronze



KT-FLED35-R1A-UNV-8CSB-VDIM-W

COMPACT 35W GENERAL-PURPOSE LED FLOOD LIGHT

ORDERING INFORMATION

ORDER CODE	PACK QTY.	ITEM STATUS
KT-FLED35-R1A-UNV-8CSB-VDIM-W	1	Quick Ship

CATALOG NUMBER BREAKDOWN

KT-FLED35-R1A-UNV-8CSB-VDIM-W

1
2
3
4
5
6
7
8
9
10
11
12
13

- 1** Keystone Technologies
- 2** Fixture Type
- 3** LED Lamp
- 4** Max Wattage
- 5** Shape
- 6** Style
- 7** Distribution
- 8** Mounting
- 9** CRI
- 10** Color
- 11** Color Select Designation
- 12** Dimming
- 13** Housing Color

2 Fixture Type

F	Flood
WP	Wallpack

5 Shape

R	Rectangular
C	Circular

6 Style

1	Non-Cutoff
2	Full-Cutoff

7 Distribution

A	Wide (7 × 7)
B	Narrow
C	TBD Very Narrow

8 Mounting

UNV	Universal
SF	Slip Fitter
KNL	1/2" Knuckle

9 CRI

8	>80
9	>90

10 Color

40	4000K
50	5000K
CS	Color Select

11 Color Select Designation

A	3500K, 4000K, 5000K
B	3000K, 4000K, 5000K
C	3000K, 3500K, 4000K, 5000K
D	TBD

12 Dimming

VDIM	0-10V
-------------	-------

13 Housing Color

	Bronze
B	Black
W	White