



KT-WPLED120-L1-8CSB-VDIM

TRADITIONAL 120W NON-CUTOFF LED WALL PACK

DESCRIPTION

Traditional 120W Non-Cutoff LED Wall Pack | 120–277V Input | 3000–5000K | Large-Size Bronze Housing | Glass Lens

APPLICATION

Building Mount for exterior illumination (perimeters, pathways, loading docks, and other general security lighting requirements)



PRODUCT FEATURES

- Traditional design matches appearance and light distribution pattern of legacy HID, optimized for one-for-one replacements
- Heavy-duty, die-cast aluminum housing with (5) available 1/2" threaded conduit hubs: (1) on back and (1) on all four sides
- Powered by Keystone 0–10V dimming LED drivers
- Keystone Color Select Technology: Adjustable CCT (3000K, 4000K, or 5000K)
- Built-in dusk-to-dawn photocell behind translucent 3/4" threaded plug with anti-yellowing agent
- Borosilicate glass lens diffuses light source and provides uniform distribution
- Covers footprint of large HID wallpacks
- Ambient operating temperature: –20°C/–4°F to 45°C/113°F
- UL listed for wet locations, IP65
- 0–10V dimming, 10% min
- Power Factor: >0.95
- THD: <20%
- LED chip lifetime: L70 >100,000 hrs @ 25°C/77°F ambient fixture temp
- Meets FCC Part 15, Part B, Class A standards for conducted and radiated emissions

ELECTRICAL SPECIFICATIONS

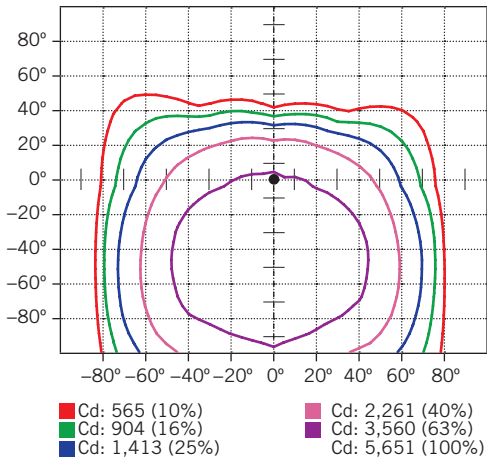
Catalog Number	Wattage	Lumens	Lumens Below 90°	Dimming	CCT*	Efficacy	CRI	Housing Color	Input Voltage	Rated Life	Legacy Equivalent
KT-WPLED120-L1-8CSB-VDIM	120W	16200 lm	14255 lm	0–10V	3000K	135 lm/W	>80	Bronze	120–277V	50,000 hrs	400W MH
		16800 lm	14780 lm		4000K	140 lm/W					
		15600 lm	13725 lm		5000K	130 lm/W					

* Color Uniformity: CCT (Correlated Color Temperature) range as per guidelines outlined in ANSI C78.377-2017

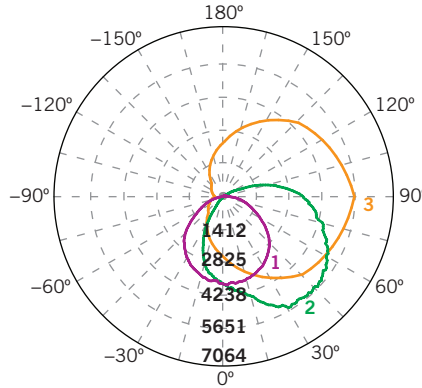
KT-WPLED120-L1-8CSB-VDIM
TRADITIONAL 120W NON-CUTOFF LED WALL PACK

PHOTOMETRIC SPECIFICATIONS

ISOCANDELA PLOT



LUMINOUS INTENSITY DISTRIBUTION



Average diffuse angle (50%): **112.3°**

- 1** Violet C0-C180
 - 2** Green C90-C270
 - 3** Orange G46
- Unit: cd

FLUX DISTRIBUTION

Zone	Lumens	% Luminaire
Forward Light	11,251 lm	69.2%
0°-30°	1,807 lm	11.1%
30°-60°	4,940 lm	30.4%
60°-80°	3,267 lm	20.1%
80°-90°	1,238 lm	7.6%
Back Light	3,119 lm	19.2%
0°-30°	1,288 lm	7.9%
30°-60°	1,451 lm	8.9%
60°-80°	335 lm	2.1%
80°-90°	45 lm	0.3%
Up Light	1,892 lm	11.6%
90°-100°	899 lm	5.5%
100°-180°	993 lm	6.1%

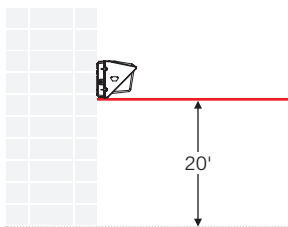
BUG* Rating

Asymmetrical Luminaire Types	
Type I, II, III, IV	B3 U5 G5
Quadrilateral Symmetrical Luminaire Types	
Type V, Area Light	B3 U5 G5

* Backlight, Uplight, Glare

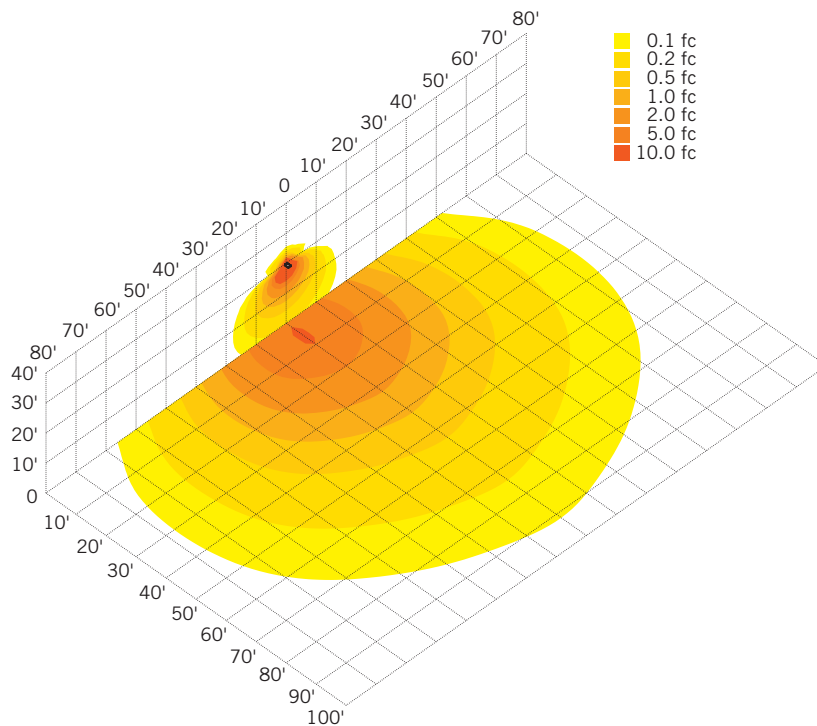
MOUNTING

Side view



LIGHT DISTRIBUTION PATTERN

Isometric view from above; Luminaire mounted at 20'

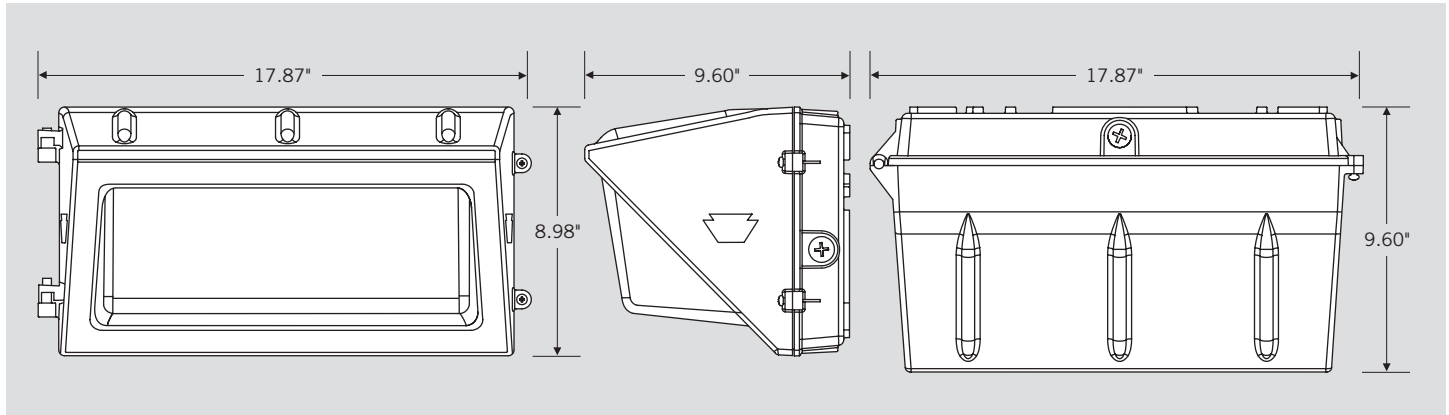




KT-WPLED120-L1-8CSB-VDIM

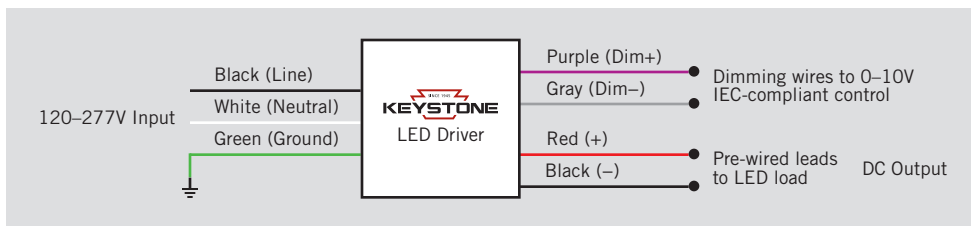
TRADITIONAL 120W NON-CUTOFF LED WALL PACK

PHYSICAL SPECIFICATIONS



GENERAL SETUP INSTRUCTIONS

GENERAL WIRING DIAGRAM



Caution: Before installing, make certain that AC power to the fixture is off.

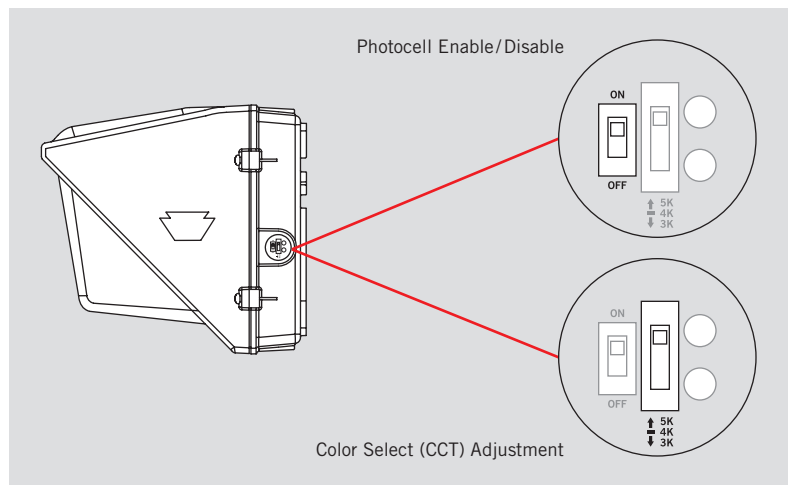
Caution: The electrical rating of this product is 120–277V. Installer must confirm that there is 120–277V at the fixture before installation.

PHOTOCELL ENABLE/DISABLE

This fixture is equipped with a dusk-to-dawn photocell behind the translucent knock-out (KO) cover. Adjust the dip switch to enable (ON) or disable (OFF) the photocell function (see illustrations to the right). Fixture comes preset with photocell enabled unless otherwise noted.

COLOR SELECT (CCT) ADJUSTMENT

This fixture is equipped with Color Select technology. There is an adjustable dip switch behind the translucent knock-out (KO) cover to change CCT between 5000K, 4000K, and 3000K (see illustrations to the right). Fixture comes preset at 5000K unless otherwise noted.





KT-WPLED120-L1-8CSB-VDIM

TRADITIONAL 120W NON-CUTOFF LED WALL PACK

ACCESSORY (SOLD SEPARATELY)

Catalog Number	Description
KTSP-10KV-C	Wallpack 10kV Surge Protector, Compact Design

ORDERING INFORMATION

ORDER CODE	PACK QTY.	ITEM STATUS
KT-WPLED120-L1-8CSB-VDIM	1	Quick Ship

CATALOG NUMBER BREAKDOWN

KT-WPLED120-L1-8CSB-VDIM

- 1
- 2
- 3
- 4
- 5
- 6
- 7
- 8
- 9
- 10

- 1** Keystone Technologies
- 2** Fixture Type
- 3** LED Lamp
- 4** Max Wattage
- 5** Size
- 6** Style
- 7** CRI
- 8** Color
- 9** Color Select Designation
- 10** Dimming

2 Fixture Type

F	Flood
WP	Wallpack

5 Size

S	Small
M	Medium
L	Large

6 Style

1	Non-Cutoff
2	Full-Cutoff

7 CRI

8	>80
9	>90

8 Color

40	4000K
50	5000K
CS	Color Select

9 Color Select Designation

A	3500K, 4000K, 5000K
B	3000K, 4000K, 5000K
C	3000K, 3500K, 4000K, 5000K
D	TBD

10 Dimming

VDIM	0-10V
------	-------