



KT-BPLED-JBOX-2

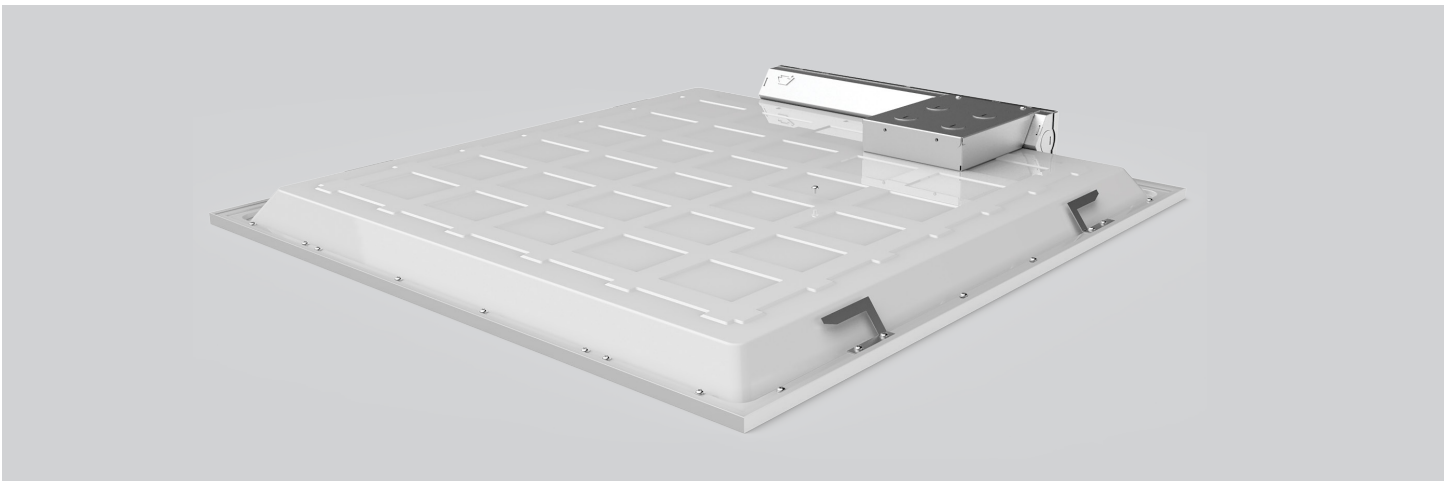
JUNCTION BOX

DESCRIPTION

Junction box optimized for premium and power/color select back-lit panels.

PRODUCT FEATURES

- Mounting hardware included.

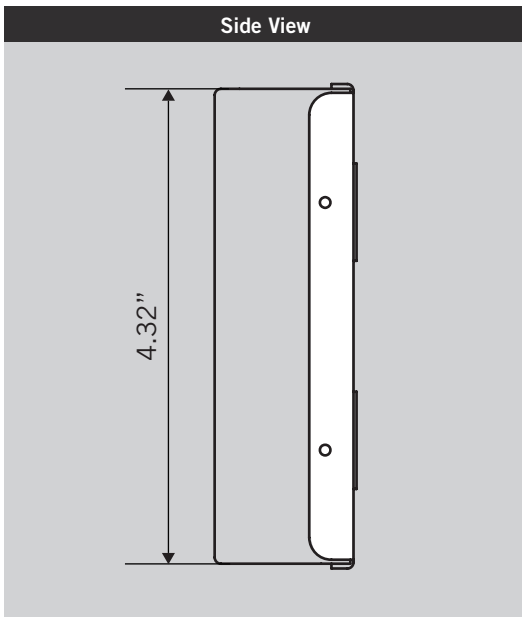
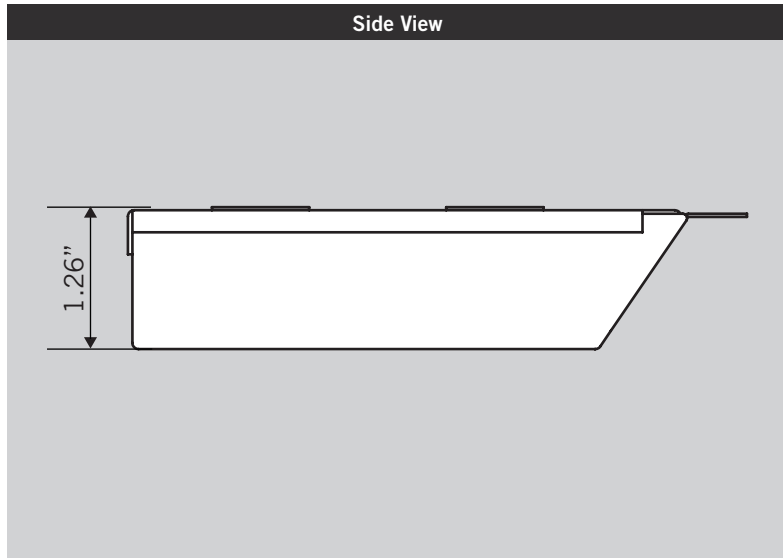
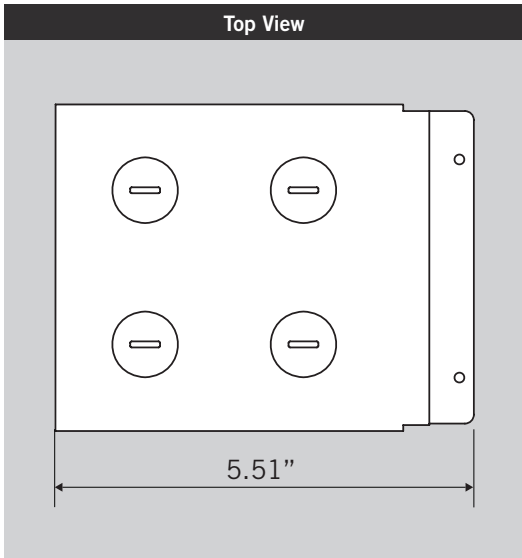




KT-BPLED-JBOX-2

JUNCTION BOX

PHYSICAL SPECIFICATIONS



ORDERING INFORMATION

CATALOG NUMBER	CARTON QTY.	EASY CODE	UPC
KT-BPLED-JBOX-2	20	BMV-31	843654128245