

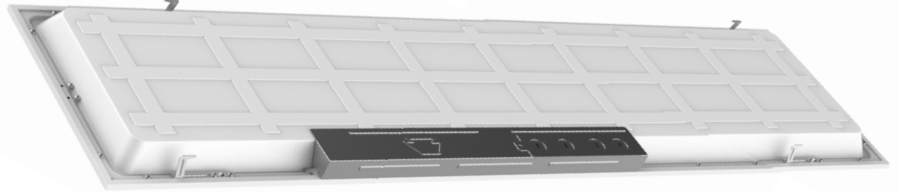


KT-BPLED40-14-8XX-VDIM

BACKLIT LED PANEL LIGHT

DESCRIPTION

1'x4' LED panel light, 40W, 120-277V input, 0-10V dimming



PRODUCT FEATURES

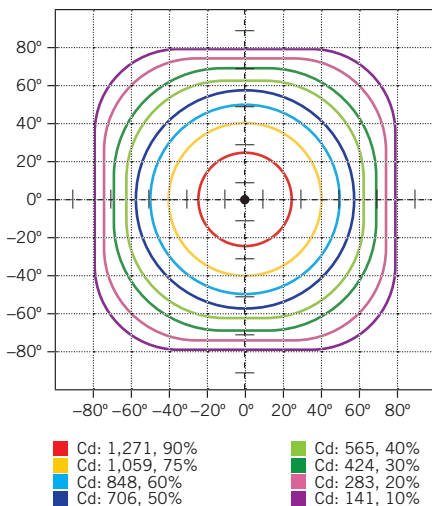
- Aluminum frame featuring stepped edge design detail and gloss white paint for improved aesthetics
 - New backlit style design; fits standard T-grid ceilings
 - Suitable for recessed or surface mount (with optional accessories)*
 - Construction features precise optical lenses over each individual LED, offering optimal light diffusion and consistent surface illumination, with no risk of yellowing over product lifetime
 - Suitable for damp locations
 - Powered by Keystone 0-10V dimmable LED driver with built-in junction box
 - Compatible with Keystone SmartSafe LED emergency backup
 - Over 50% energy savings compared to traditional fluorescent troffers
 - Operating temp range -20°C/-4°F to 40°C/104°F
- * For use in non-fire rated installations only

PERFORMANCE SPECIFICATIONS

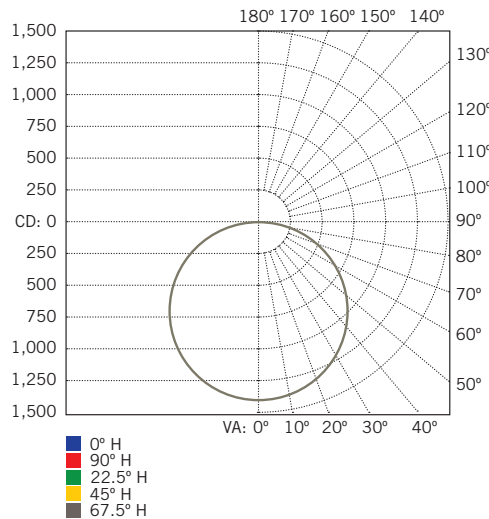
| Catalog Number | Input Voltage | Wattage | Color Temperature | Lumen Output | CRI | Power Factor | Efficacy | Lifetime |
|------------------------|---------------|---------|-------------------|--------------|-----|--------------|----------|--------------|
| KT-BPLED40-14-835-VDIM | 120-277V | 40W | 3500K | 4,400 | >80 | >0.9 | 110 lm/W | 50,000 Hours |
| KT-BPLED40-14-840-VDIM | 120-277V | 40W | 4000K | 4,400 | >80 | >0.9 | 110 lm/W | 50,000 Hours |
| KT-BPLED40-14-850-VDIM | 120-277V | 40W | 5000K | 4,400 | >80 | >0.9 | 110 lm/W | 50,000 Hours |

PHOTOMETRIC SPECIFICATIONS

ISOCANDELA PLOT



POLAR CANDELA DISTRIBUTION

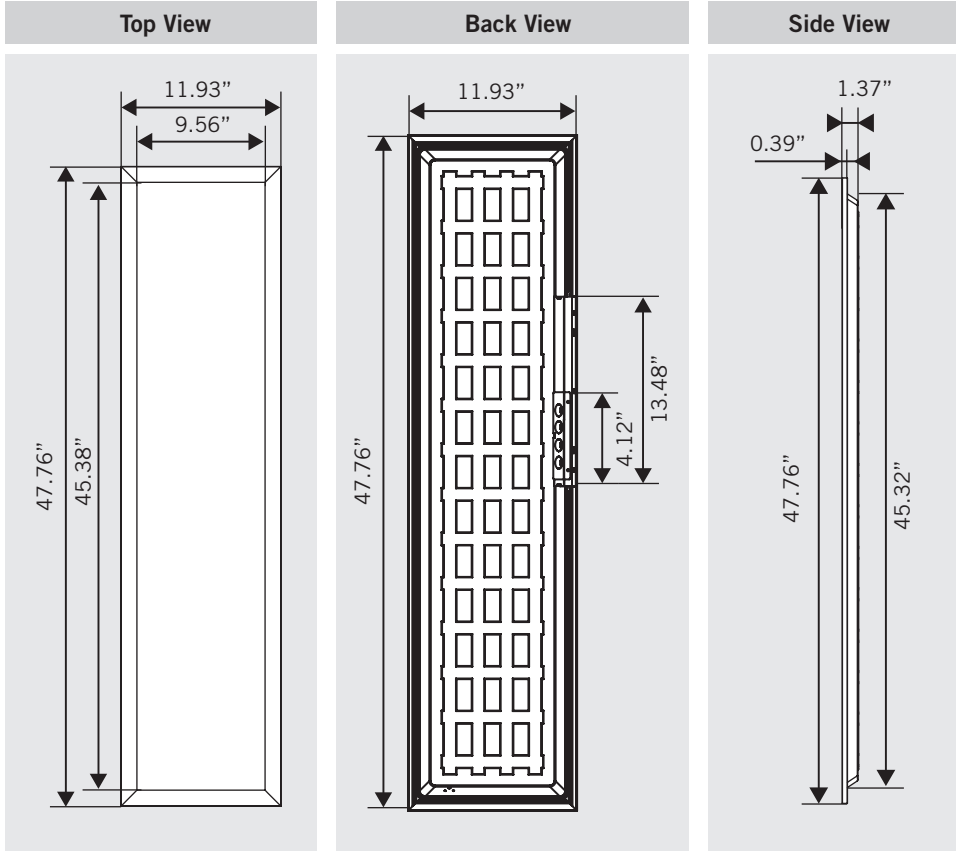


ZONAL LUMEN SUMMARY

| Zone | Lumens | % Luminaire |
|--------|---------|-------------|
| 0-30 | 1,105.0 | 26.4% |
| 0-40 | 1,818.0 | 43.4% |
| 0-60 | 3,244.7 | 77.5% |
| 60-90 | 934.3 | 22.3% |
| 70-100 | 408.1 | 9.7% |
| 90-120 | 3.9 | 0.1% |
| 0-90 | 4,179.0 | 99.8% |
| 90-180 | 9.8 | 0.2% |
| 0-180 | 4,188.8 | 100% |

KT-BPLED40-14-8XX-VDIM
BACKLIT LED PANEL LIGHT

PHYSICAL SPECIFICATIONS

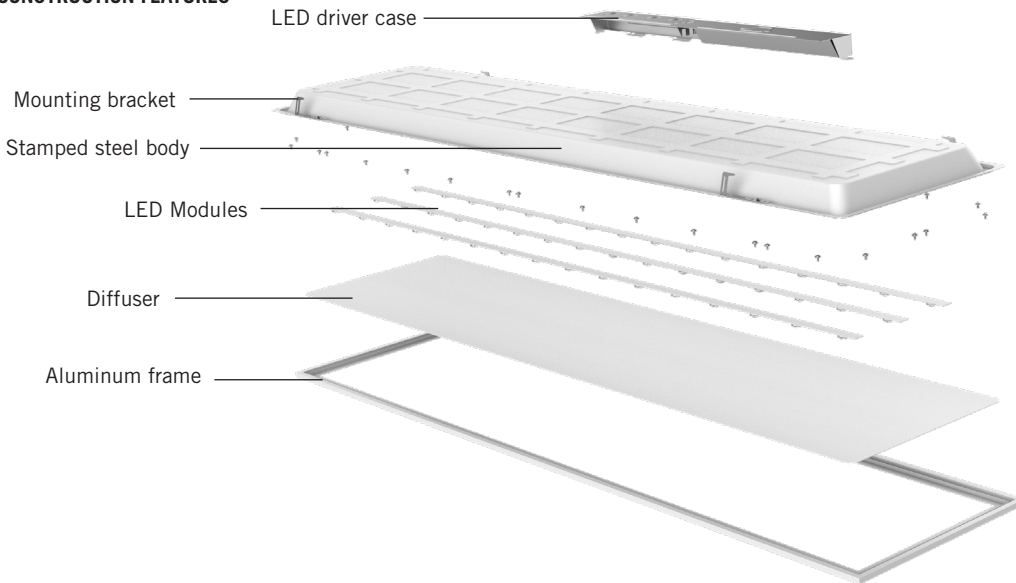


WEIGHT INFORMATION

| | |
|----------------|-----------------|
| 1 Piece | 1 Carton |
| 6.2 lbs | 12.4 lbs |

EXPLODED VIEW

CONSTRUCTION FEATURES





KT-BPLED40-14-8XX-VDIM

BACKLIT LED PANEL LIGHT

WIRELESS CONTROL OPTIONS

| Brand / System | Description | Ordering Number |
|----------------|--|-------------------------------|
| Lutron Vive | FCJS-010 Wireless 0-10V fixture controller; 1A Max load; factory installed | KT-BPLED40-14-8XX-VDIM /FCJS0 |



ACCESSORIES (SOLD SEPARATELY)

| Accessory | Catalog Number | Description |
|---------------------------------------|--------------------|--|
| Emergency Battery Backup Mounting Kit | KT-BPLED-EM-14-KIT | Mounting Bracket for SmartSafe LED emergency backup for 1x4 backlit panels |
| Surface Mount Kit | KT-BPLED-SM-14-KIT | Surface Mount Kit 1x4 Backlit panels |
| J-Box | KT-BPLED-JBOX-1 | Larger J-Box add-on for LED Backlit Panels, DLC Standard |

ORDERING INFORMATION

| CATALOG NUMBER | CARTON QTY. | EASY CODE | UPC |
|------------------------|-------------|-----------|--------------|
| KT-BPLED40-14-835-VDIM | 2 | PIM-68 | 843654127835 |
| KT-BPLED40-14-840-VDIM | 2 | PYY-43 | 843654127842 |
| KT-BPLED40-14-850-VDIM | 2 | PEB-32 | 843654127859 |

CATALOG NUMBER BREAKDOWN

KT-BPLED40-14-8XX-VDIM

1 **2** **3** **4** **5** **6** **7**

- 1** Keystone Technologies
- 2** Backlit Panel Light LED Fixture
- 3** Wattage
- 4** 1' x 4' Nominal Size
- 5** 800 Series
- 6** Color Temperature
- 7** 0-10V Dimming