



# KT-RHLED135HT-14C-8XX-VDIM-P

## HIGH TEMPERATURE ROUND LED HIGH BAY FIXTURE

### DESCRIPTION

High Temperature Rated Round LED High Bay Fixture | Wet Location Rated

### APPLICATION

Used for commercial and industrial high bay lighting applications



### PRODUCT FEATURES

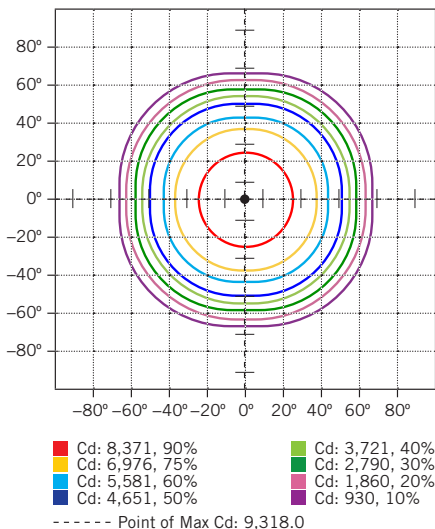
- IP65 rated, wet location
- Powered by Keystone 0–10V dimming LED driver
- Ambient operating temperature: 65°C/149°F
- LED lifetime: L70 >100,000 hours @ 25°C fixture ambient
- Ring bolt mounting accessory included with safety hanging kit
- 0–10V dimming, 10% minimum
- THD: <20%
- 6' cord for input and dimming wires
- Low optical flicker
- Built-in 4kV surge protection
- Listed on QPL DLC, Premium

### PERFORMANCE SPECIFICATIONS

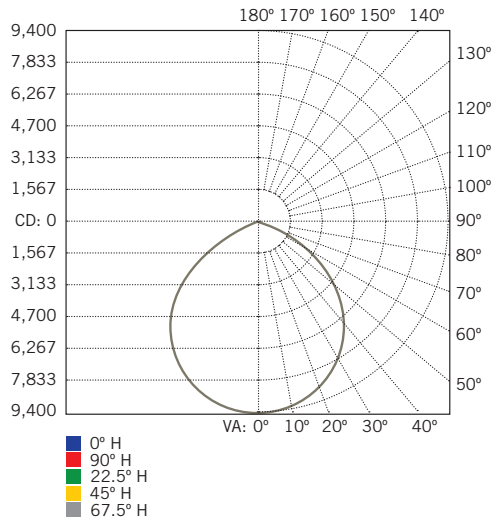
Catalog Number	Input Voltage	Wattage	Color Temperature	Lumen Output	CRI	Power Factor	Efficacy	Beam Angle
KT-RHLED135HT-14C-840-VDIM-P	120–277V	135W	4000K	20,115 lm	>82.0	>0.92	140 lm/W	110°
KT-RHLED135HT-14C-850-VDIM-P	120–277V	135W	5000K	20,385 lm	>82.0	>0.92	151 lm/W	110°

### PHOTOMETRIC SPECIFICATIONS

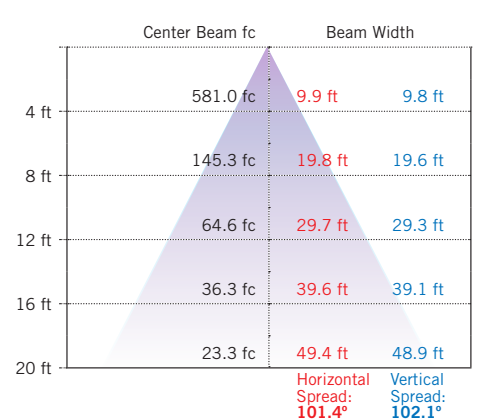
#### ISOCANDELA PLOT



#### POLAR CANDELA DISTRIBUTION



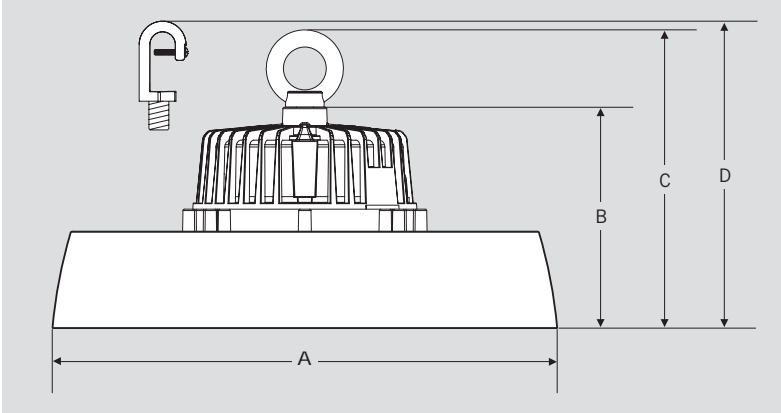
#### ILLUMINANCE AT A DISTANCE



# KT-RHLED135HT-14C-8XX-VDIM-P

## HIGH TEMPERATURE ROUND LED HIGH BAY FIXTURE

### PHYSICAL SPECIFICATIONS



### LAMP DIMENSIONS

A (Diameter)	13.91"
B (Height)	6.08"
C (Height with Ring)	8.23"
D (Height with Hook)	8.67"

### ACCESSORIES (SOLD SEPARATELY)

Catalog Number	Description
KT-RHLED-AR90-3	Aluminum Dome Reflector for 200W or 135W High Temp, 90° beam angle
KT-RHLED-JBOX-PM	J-Box optimized for pole pendant application
KT-RHLED-SM-3-KIT	Steel Surface Mount Kit; includes mounting hardware for 135W High Temp
KT-RHLED-WG-3-KIT	Thick steel wire; premium black powdercoat construction; includes mounting hardware
KTS-MW2-12V-WL /A	High Bay Microwave Occupancy Sensor for use with Round High Bay Gen1 fixtures
KTS-MW2-12V-WL /B	High Bay Microwave Occupancy Sensor for use with Round High Bay Gen1 fixtures

### ORDERING INFORMATION

Catalog Number	Pack Quantity	Easy Code	UPC
KT-RHLED135HT-14C-840-VDIM-P	1	JQH-71	843654127156
KT-RHLED135HT-14C-850-VDIM-P	1	WSP-48	843654127163

### CATALOG NUMBER BREAKDOWN

# KT-RHLED135HT-14C-8XX-VDIM-P

1 2 3 4 5 6 7 8 9

- |                         |                     |
|-------------------------|---------------------|
| 1 Keystone Technologies | 6 800 Series        |
| 2 Round LED High Bay    | 7 Color Temperature |
| 3 Wattage               | 8 0-10 Dimming      |
| 4 High Temperature      | 9 Premium Series    |
| 5 14" Diameter          |                     |