



KT-LED17PLL-22G-830-D

PLL LED LAMP

DESCRIPTION

17W PLL LED | 3000K | >80 CRI | High Efficiency



LAMP TYPE: PLL
BULB TYPE: T8 LED
BASE TYPE: 2G11
WATTAGE: 17W
COLOR TEMPERATURE: 3000K
COLOR RENDERING INDEX (CRI): >80
WARRANTY: 5 Years



PRODUCT FEATURES

- Replacement for Conventional Fluorescent Lamp
- UL Classified
- 50,000+ Hour Lifetime
- Approximately 50% More Energy Efficient than Standard FT40/2G11 Lamps
- Environmentally Friendly: No Mercury Used
- Integral Driver (Isolated) Eliminates the Need for an External Ballast or Driver
- Instant Startup
- Not Dimmable
- Frosted Lens Eliminates Pixelation
- Operating Temperature: -20°C/-4°F to 45°C/113°F
- 100+ Lumens per Watt (Bare Lamp Efficacy)
- Suitable for Dry and Damp Locations
- NSF Listed: NSF/ANSI Standard 2 - Food Equipment

OPERATING SPECIFICATIONS

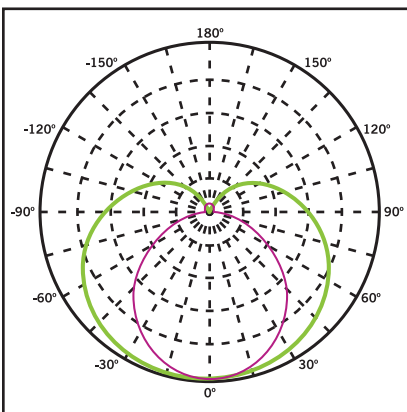
ELECTRICAL AND PERFORMANCE CHARACTERISTICS

Input Voltage	CRI	Bare Lamp Wattage	Nominal Lamp Lumens	Beam Angle	Nominal Bare Lamp Efficacy	Power Factor	Max. THD
120-277V	>80	17W	2050	220°	121 lm/W	>0.9	20%

RATED LIFE

L70 (Hours)	50,000
-------------	--------

POLAR CANDELA DISTRIBUTION



Located at Horizontal Angle = 0,
Vertical Angle 0

1. Violet Vertical Plane through Horizontal Angles (90-270)

2. Green Vertical Plane through Horizontal Angles (0-180)

Beam Angle: 220°

Visible Light Area: 325°



KT-LED17PLL-22G-830-D

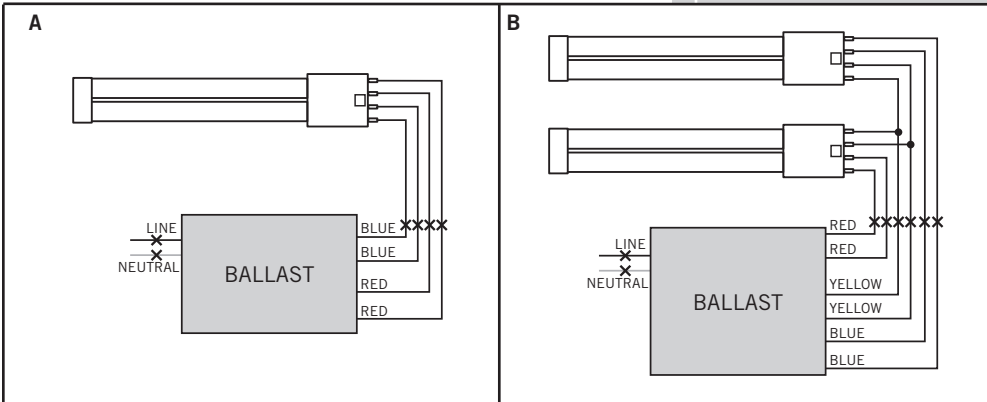
PLL LED LAMP

WIRING

Re-wire fixture as shown below.

Typical Ballast Configurations

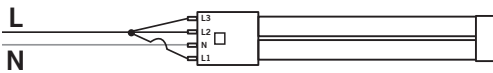
✗ Indicates Where to Cut Existing Wiring



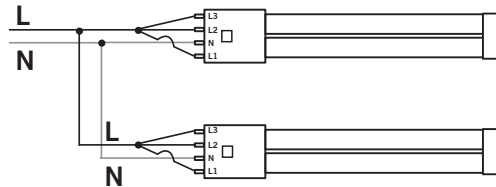
*Note

Lamp(s) will light as long as line input is connected to one of the three pins designated with L# and Neutral is connected to the pin designated with (N). If additional wires are in place from previous installation, ensure all wires are connected as shown in diagram. **Do not leave loose wires exposed.**

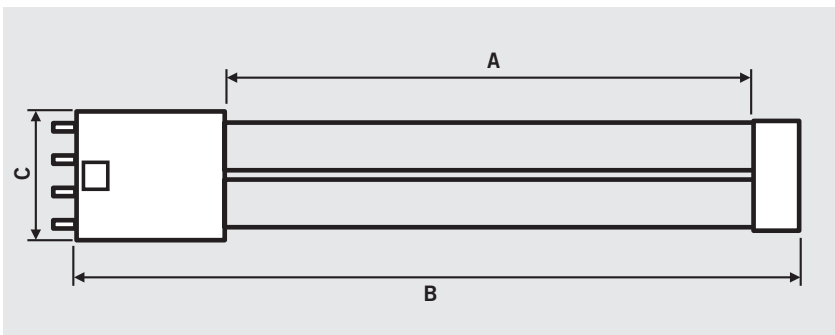
Single Lamp



Multiple Lamps



PHYSICAL CHARACTERISTICS



LAMP DIMENSIONS

A (Illuminated Length)	19.25"
B (Body Length)	22.31"
D (Width)	1.73"
Base Type	2G11



DIRECT DRIVE LED
LINE VOLTAGE PLL LAMPS

KT-LED17PLL-22G-830-D

PLL LED LAMP

ORDERING INFORMATION

ORDER CODE	PACK QTY.	EASY CODE	UPC
KT-LED17PLL-22G-830-D-CP	12	MQV-18	843654129297

CATALOG NUMBER BREAKDOWN

KT-LED17PLL-22G-830-D-CP

1 2 3 4 5 6 7 8 9 10

- 1 Keystone Technologies
- 2 LED Lamp
- 3 Wattage
- 4 Lamp Type
- 5 Nominal Length (Inches)
- 6 Glass
- 7 800 Series
- 8 Color Temperature
- 9 Direct-Drive Series
- 10 Packaging Style