



KT-LED35A25-O-EX39-8XX

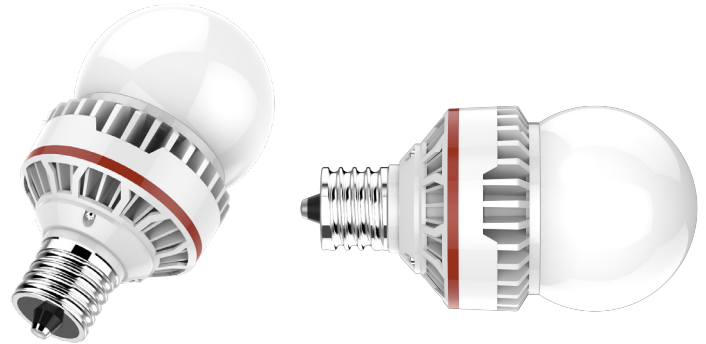
REPLACEMENT LAMP

DESCRIPTION

35W Commercial A25 Lamp | 3000–5000K | >80 CRI | Omni-Directional



LAMP TYPE: Commercial A25
BASE TYPE: EX39 (Mogul)
WATTAGE: 35W
COLOR TEMPERATURE: 3000–5000K
COLOR RENDERING INDEX (CRI): >80
WARRANTY: 5 Years



PRODUCT FEATURES

- Up to 75% energy saving compared to legacy equivalent lamps
- Can be used in base-up or base-down position
- Rated for open and enclosed fixtures
- Large metal heatsink for optimal heat dissipation
- THD <20%
- PF >0.90
- DLC QPL listed
- Operating temperature range –4°F/–20°C to 113°F/45°C; 95°F/35°C max for fully enclosed fixture
- Ideal for post top, bollards, and outdoor corridor lighting
- Suitable for dry and damp location
- Meets Energy Star requirements
- UL 1993 and 1598C Rated

ELECTRICAL AND PERFORMANCE SPECIFICATIONS

Keystone Catalog Number	Description	Color Temp	Input Voltage	Rated Lamp Wattage	Legacy Equivalent Wattage	Base Type	Lumens	CRI	Light Distribution	Dimmable	Efficacy
KT-LED35A25-O-EX39-830	Commercial A25 Bulb. Universal Input Voltage, Omni-Directional, Non-Dimmable	3000K	120–277V	35W	300W incand./150W HID	EX39	4550 L	>80	330	No	130 lm/W
KT-LED35A25-O-EX39-840	Commercial A25 Bulb. Universal Input Voltage, Omni-Directional, Non-Dimmable	4000K	120–277V	35W	300W incand./150W HID	EX39	4780 L	>80	330	No	137 lm/W
KT-LED35A25-O-EX39-850	Commercial A25 Bulb. Universal Input Voltage, Omni-Directional, Non-Dimmable	5000K	120–277V	35W	300W incand./150W HID	EX39	4850 L	>80	330	No	139 lm/W

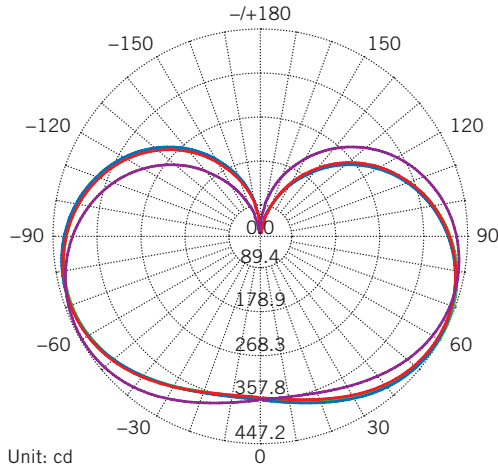


KT-LED35A25-O-EX39-8XX

REPLACEMENT LAMP

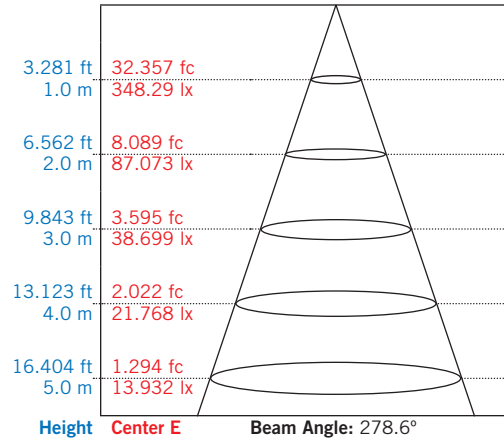
OPERATING SPECIFICATIONS

POLAR CANDELA DISTRIBUTION



C Plane	50% MaxAng.	10% MaxAng.
■ C60.0_240.0	278.6	344.0
■ C0.0_180.0	279.4	346.7
■ C90.0_270.0	279.5	344.7
■ C180.0_360.0	279.4	346.7

LUX DISTANCE CURVE

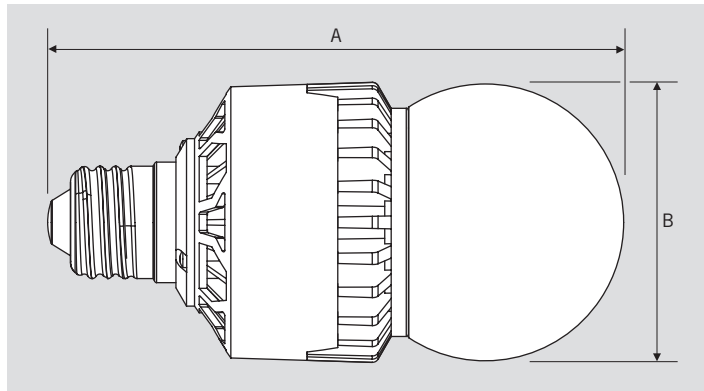


Note: The curves indicate the illuminated area and the average illumination when the luminaire is at a different distance.

RATED LIFE

L70 (Hours)	50,000
-------------	--------

PHYSICAL CHARACTERISTICS



LAMP DIMENSIONS

A (Length)	6.91" (E26)/7.25" (EX39)
B (Diameter)	3.73"

BASE TYPE: E26 (Medium) or EX39 (Mogul)

PACKAGING

Carton Quantity	12 pcs (35W)
Carton Dimensions	11" x 15.9" x 18.7"
Carton Weight	24.25 lbs



KT-LED35A25-O-EX39-8XX

REPLACEMENT LAMP

ORDERING INFORMATION

ORDER CODE	PACK QTY.	EASY CODE	UPC
KT-LED35A25-O-EX39-830	12 pcs	KMR-88	843654122915
KT-LED35A25-O-EX39-840	12 pcs	TUE-25	843654122922
KT-LED35A25-O-EX39-850	12 pcs	KOC-75	843654122939

CATALOG NUMBER BREAKDOWN

KT-LED35A25-O-EX39-8XX-DP

1 2 3 4 5 6 7 8 9

- 1 Keystone Technologies
- 2 LED Lamp
- 3 Wattage
- 4 Lamp Style
- 5 Omni-Directional
- 6 Base Type
- 7 800 Series
- 8 Color Temperature
- 9 Packaging Style