

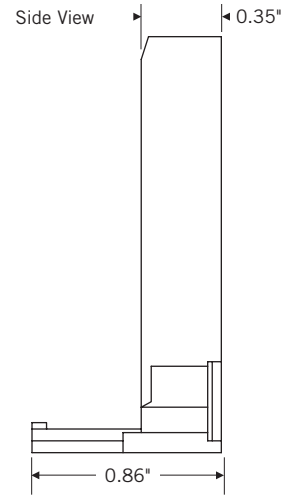
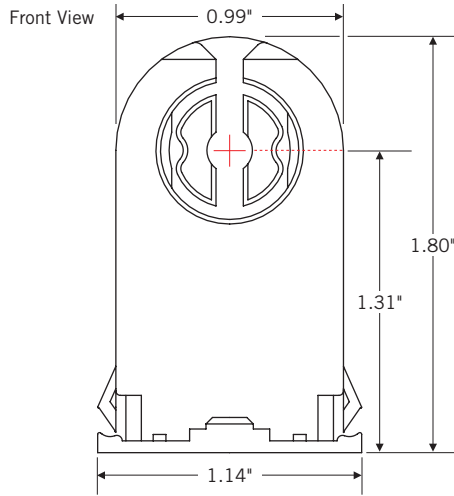
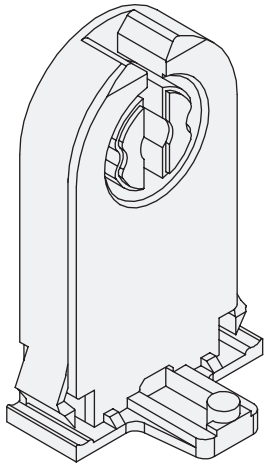


NON-SHUNTED MEDIUM BI-PIN SOCKETS



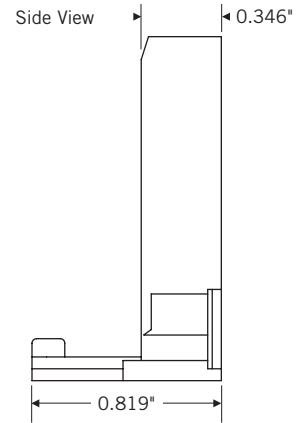
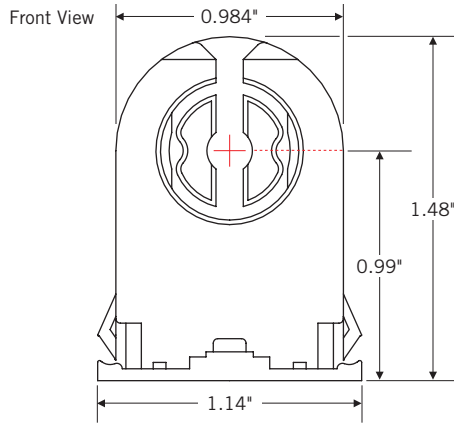
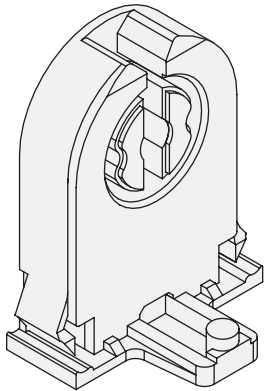
KT-SOCKET-T8-U-T

Tall Medium Bi-Pin Socket | Snap-In with Nib | Non-Shunted | For T8 and T12 Lamps



KT-SOCKET-T8-U-S

Standard Medium Bi-Pin Socket | Snap-In with Nib | Non-Shunted | For T8 and T12 Lamps



KT-SOCKET-T8-U-SI

Standard Medium Bi-Pin Socket | Slide-On/Snap-In | Non-Shunted | For T8 U-Bend Lamps

