



## KT-BPLED-EM-14-KIT

### EMERGENCY BACKUP MOUNTING KIT

#### DESCRIPTION

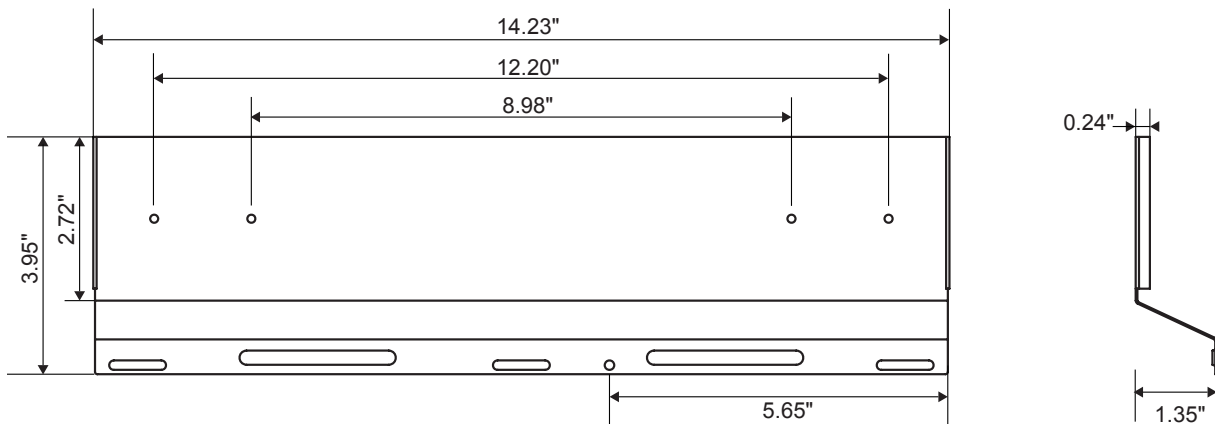
Emergency LED backup mounting kit for 1x4 LED back-lit panel lights. Designed for use with KT-EMRG-LED-5-500-EN/DF & KT-EMRG-LED-12-1200-EN/DF emergency packs.

#### PRODUCT FEATURES

Mounting hardware included.



#### PHYSICAL SPECIFICATIONS



#### CONTENTS

(1) Bracket, (2) Long Screws & (2) Short Screws.

#### INSTALLATION

1. Remove (2) screws from backside of panel light, according to holes that line up with the EM bracket at the desired location.
2. Secure the bracket to the backside of the panel light, using the supplied long screws into the now open holes on the backside of the panel light.
3. Mount LED emergency driver using supplied short screws, and proceed with wiring of the LED emergency pack.



# KT-BPLED-EM-14-KIT

## EMERGENCY BACKUP MOUNTING KIT

### ORDERING INFORMATION

CATALOG NUMBER	CARTON QTY.	EASY CODE	UPC
KT-BPLED-EM-14-KIT	1	HHL-04	843654128054

### CATALOG NUMBER BREAKDOWN

# KT-BPLED-EM-14-KIT

**1**   **2**   **3**   **4**   **5**

- 1** Keystone Technologies
- 2** Backlit Panel Light LED
- 3** Emergency
- 4** 1X4
- 5** Kit