



KT-BPLED-JBOX-2

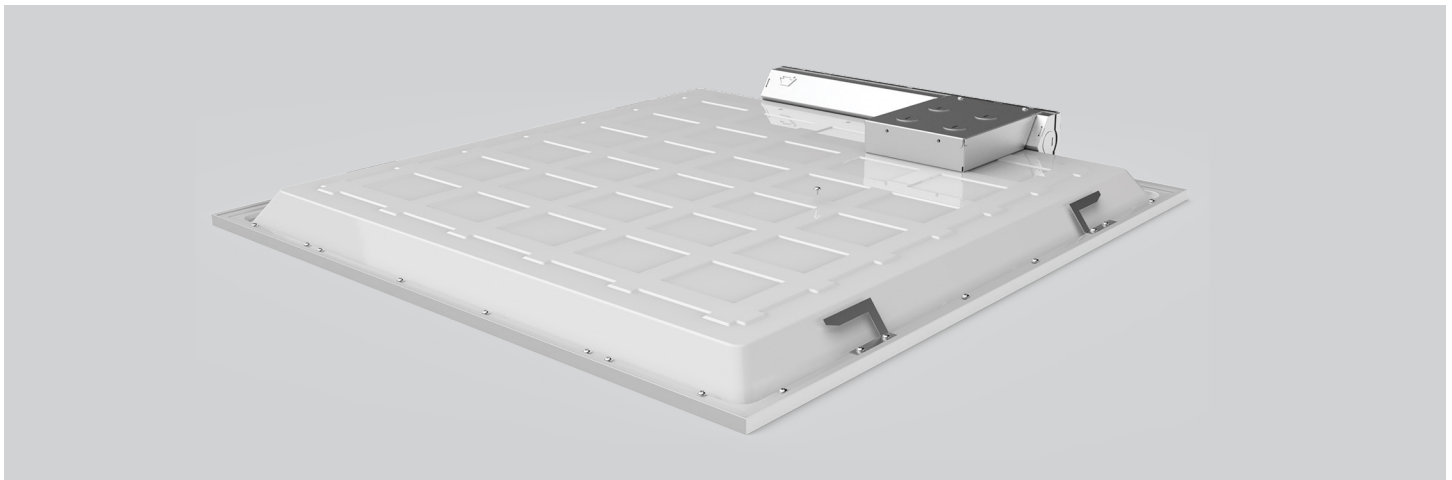
JUNCTION BOX

DESCRIPTION

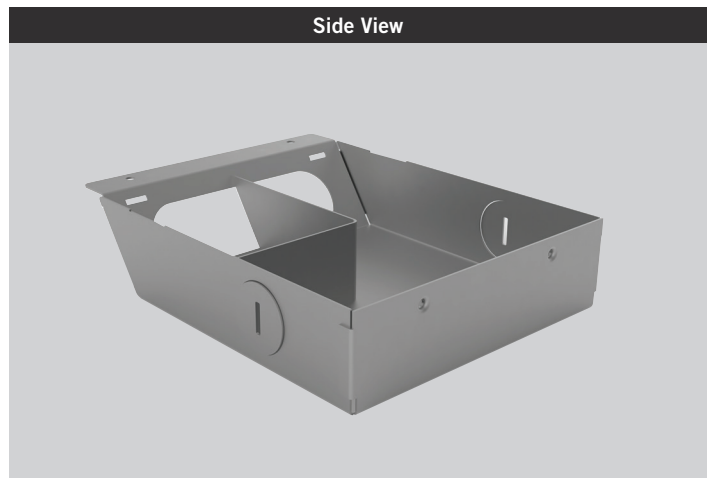
Junction box optimized for premium and power/color select back-lit panels

PRODUCT FEATURES

Mounting hardware included



Top View

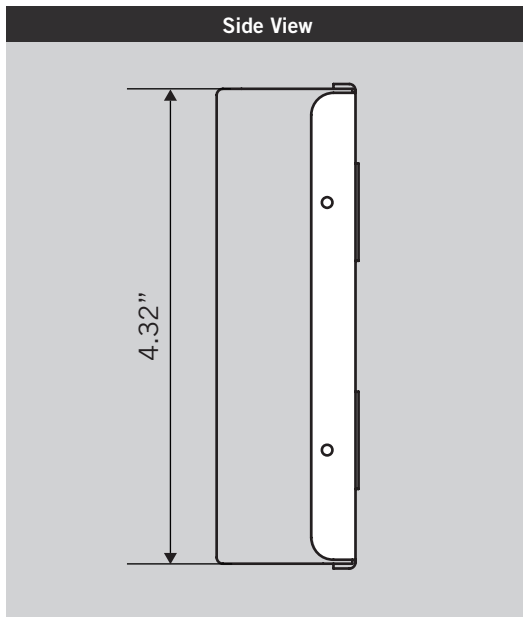
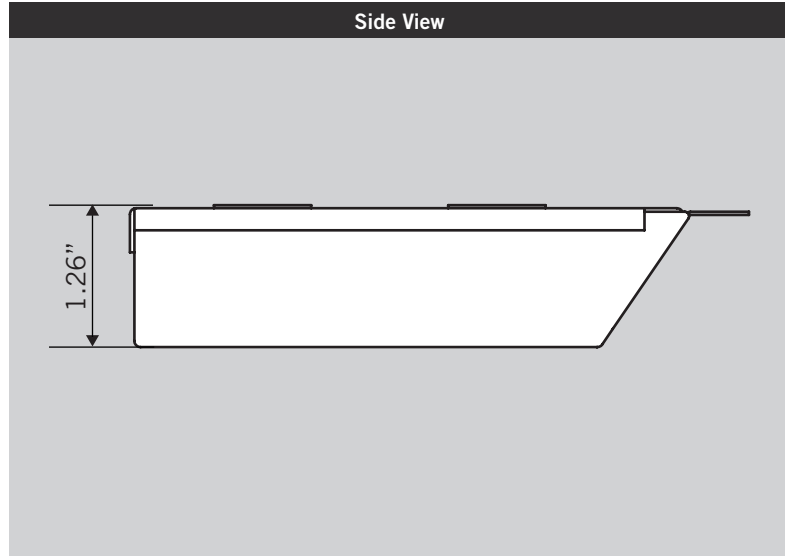
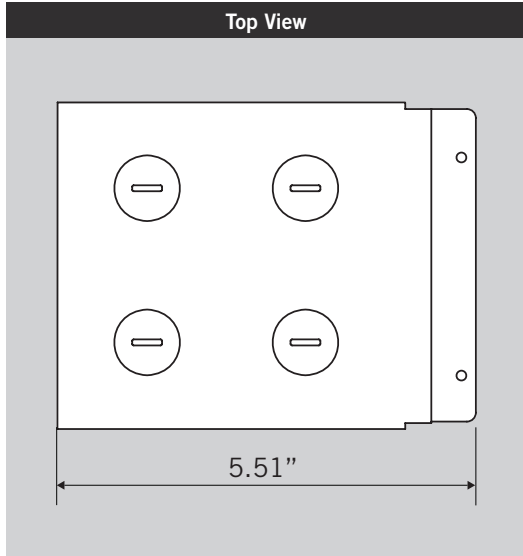


Side View

KT-BPLED-JBOX-2

JUNCTION BOX

PHYSICAL SPECIFICATIONS



ORDERING INFORMATION

CATALOG NUMBER	CARTON QTY.	EASY CODE	UPC
KT-BPLED-JBOX-2	20	BMV-31	843654128245