

# 2', 2-LAMP TROFFER FIXTURE

CATALOG NUMBER KT-DDPTLEDT8-22-2L



RoHS Compliant

## DESCRIPTION

2x2 LED Tube ready troffer fixture, 2 lamp. (lamps sold separately)

## APPLICATION

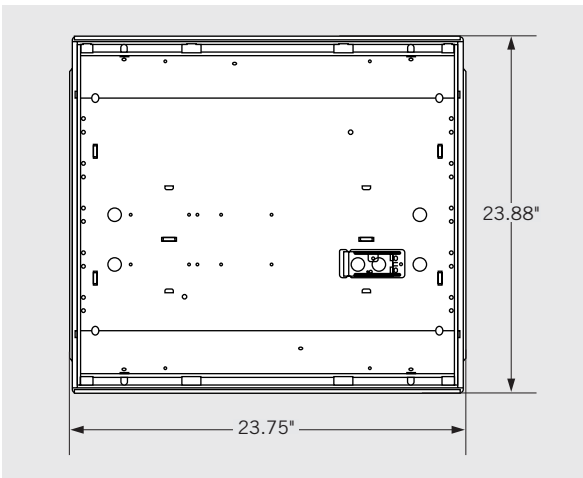
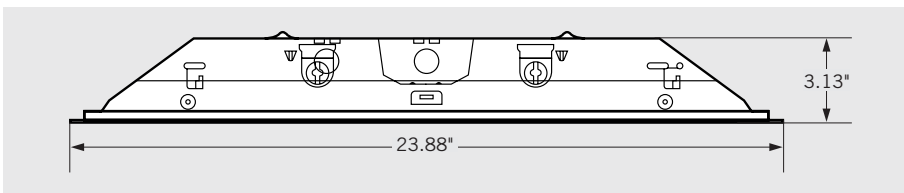
Used for indoor highbay, lowbay, warehouse and general lighting applications.

## PRODUCT FEATURES

- Designed for use with Single Ended Wiring (Type B) LED T8 tubes
- Post painted white steel body with mirror reflector
- Rated for dry & damp locations
- For use with Keystone Single Ended Wiring Direct Drive LED lamps: 9W Max per lamp
- Prismatic Diffuser made of high quality PMMA



## PRODUCT DIMENSIONS



## CATALOG NUMBER BREAKDOWN

# KT-DDPTLEDT8-22-2L

1 2 3 4 5 6 7

- |                         |                        |
|-------------------------|------------------------|
| 1 Keystone Technologies | 5 Lamp Type            |
| 2 Direct Drive          | 6 2' x 2' Nominal Size |
| 3 Prismatic Troffer     | 7 2 Lamps              |
| 4 LED Lamp              |                        |

**Note:** In order for UL safety certification to be valid, only Keystone lamps may be installed in the fixture as per product label.