



DESCRIPTION

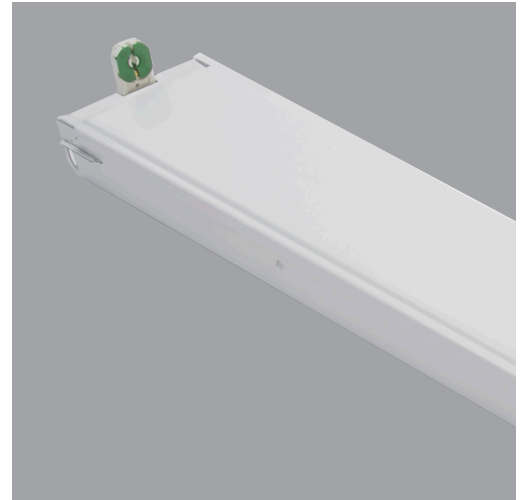
8' LED tube ready strip fixture, 2 lamp. (lamps sold separately)

APPLICATION

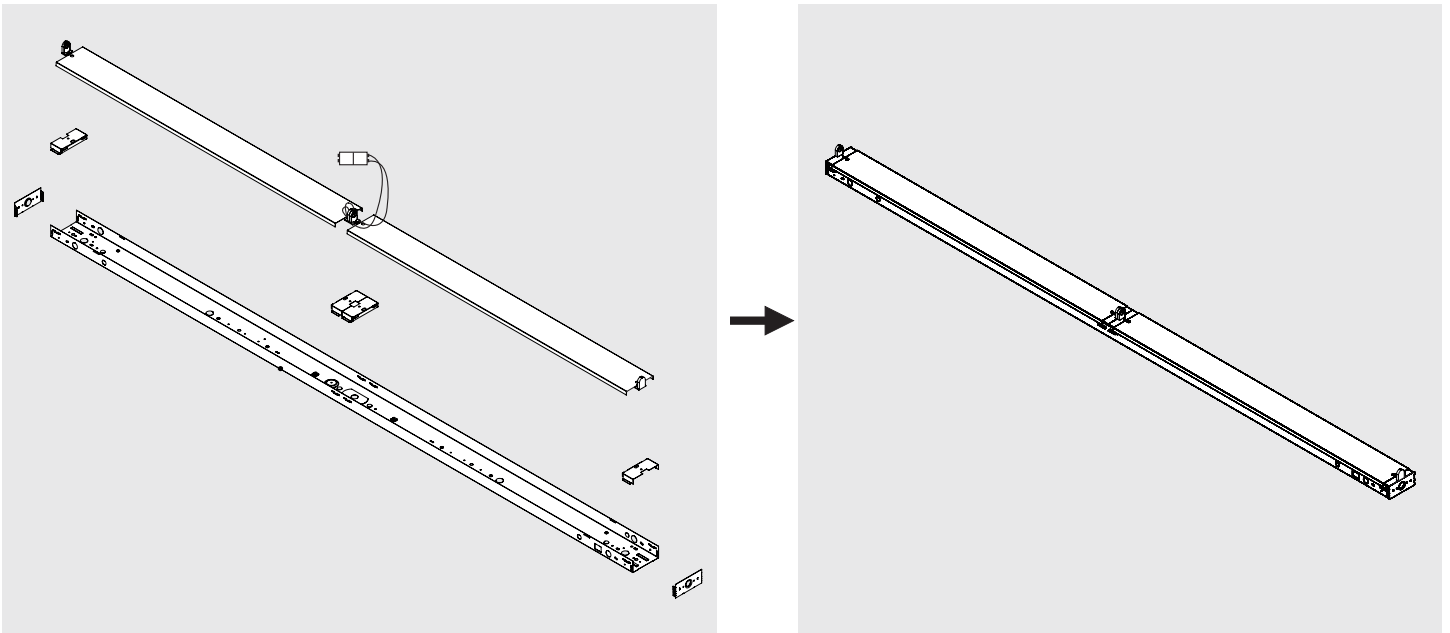
Used for indoor highbay, lowbay, warehouse and general lighting applications.

PRODUCT FEATURES

- Designed for use with single ended wiring (type B) LED T8 tubes; includes pre-wired sockets
- Post painted white steel body
- Rated for dry and damp locations
- Designed only for use with Keystone single ended wiring DirectDrive LED lamps: 25W max per lamp



PRODUCT DIMENSIONS



Note: In order for UL safety certification to be valid, only Keystone lamps may be installed in the fixture as per product label.