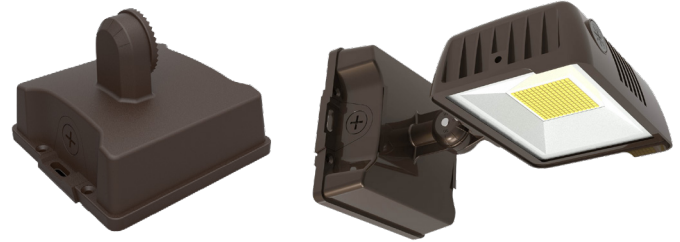


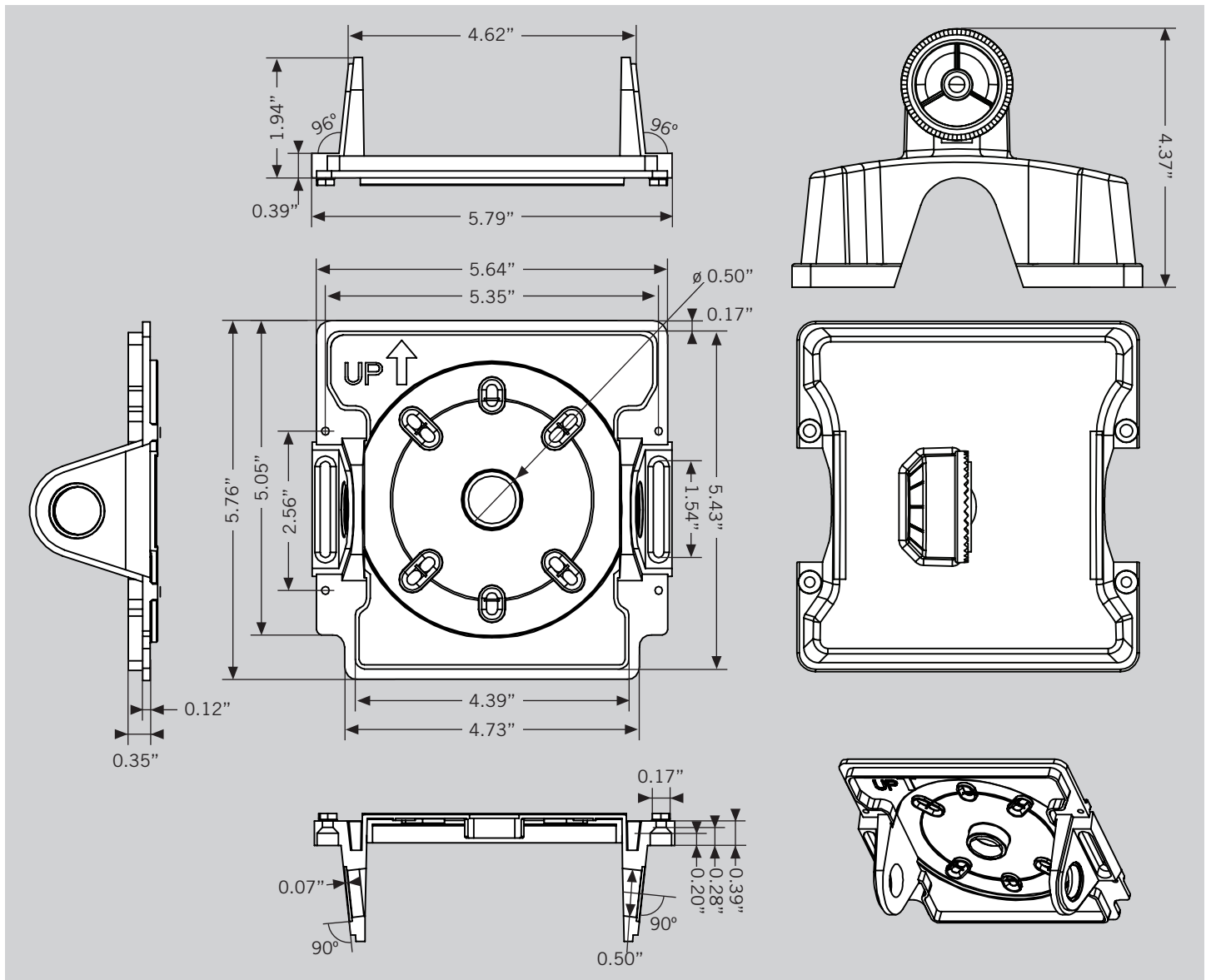
KT-FLED-SM-1-KIT
 SURFACE MOUNT KIT

DESCRIPTION

Surface Mount / Wall Mount Kit for Series 1 Flood Lights. Fits 15W thru 60W fixtures. Includes Mounting Hardware. Standard Bronze Housing.



DIMENSIONS





XFIT

KT-FLED-SM-1-KIT

SURFACE MOUNT KIT

ORDERING INFORMATION

CATALOG NUMBER	CARTON QTY.	EASY CODE	UPC
KT-FLED-SM-1-KIT	TBD	HZJ-35	843654129167

CATALOG NUMBER BREAKDOWN

KT-FLED-SM-1-KIT

1 **2** **3** **4** **5** **6**

- 1** Keystone Technologies
- 2** Flood
- 3** LED
- 4** Surface Mount
- 5** Series 1
- 6** Kit