

POLE-MOUNT SIDE TENON ADAPTORS

DESCRIPTION

Pole-Mount Side Tenon Adaptors | Bronze Finish

APPLICATION

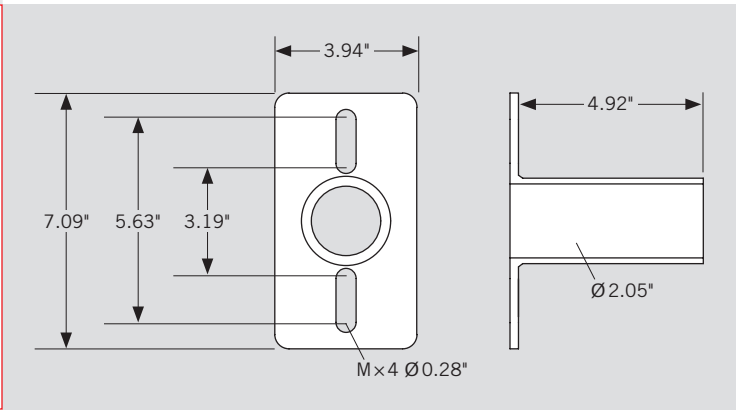
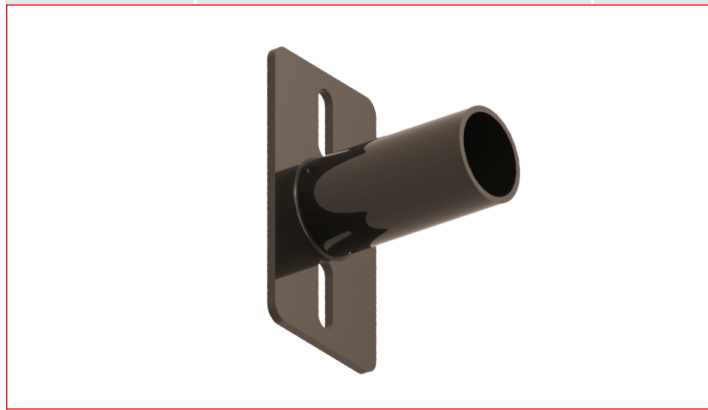
Maximum allowable load per tenon: 110 lbs.



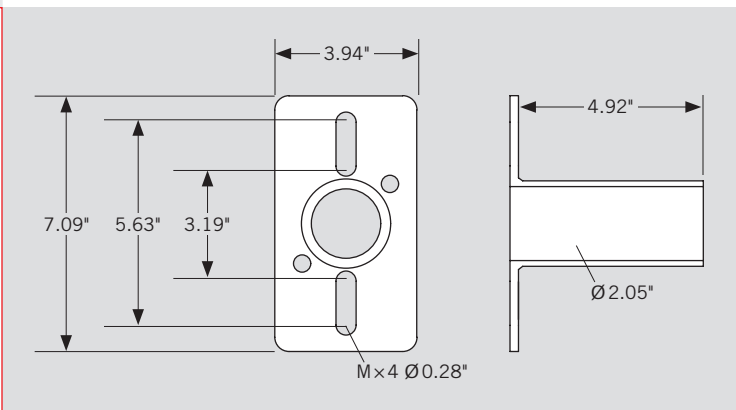
5 YEAR
WARRANTY

SPECIFICATIONS

Catalog Number	Description	Finish Color
KT-PMST-SQ-S	Pole-Mount Single 2 3/8" Tenon; Side-Mount for Square Pole	Bronze



Catalog Number	Description	Finish Color
KT-PMST-R-S	Pole-Mount Single 2 3/8" Tenon; Side-Mount for Round Pole	Bronze





POLE-MOUNT SIDE TENON ADAPTORS

ORDERING INFORMATION

ORDER CODE	PACK QTY.	UPC	Easy Code
KT-PMST-SQ-S	1	843654131856	CVG-94
KT-PMST-R-S	1	843654131863	GHU-53

CATALOG NUMBER BREAKDOWN

KT-PMST-X-S

1 2 3 4 5

- 1 Keystone Technologies
- 2 Mounting Type
- 3 Mounting Position
- 4 Pole Shape
- 5 Mounting Configuration

2 Mounting Type

PM Pole-Mount

3 Mounting Position

ST Side Tenon

4 Pole Shape

SQ Square

R Round

6 Mounting Configuration

S Single