



ALUMAGROOVE®

KTAG-11L-350-30-9XX-RJ HIGH EFFICACY LINEAR LED MODULE

DESCRIPTION

High efficacy linear LED modules pre-mounted into aluminum extension via a patented manufacturing method, 11" Long.



RoHS Compliant

5 YEAR WARRANTY



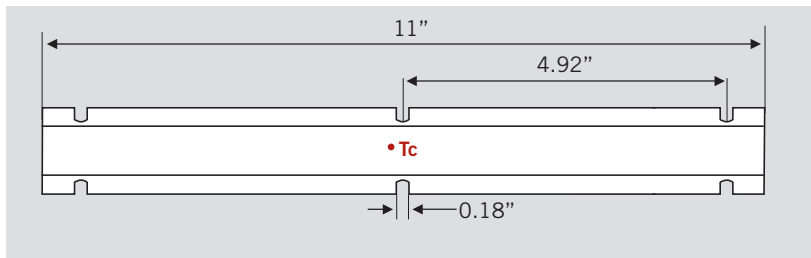
| |
|--|
| MODULE TYPE: Linear |
| MAX MODULE POWER: 10.5W |
| MAX DRIVE CURRENT: 350mA |
| COLOR RENDERING INDEX (CRI): >90 |
| RECOMMENDED WIRING: Parallel Connection |
| WARRANTY: 5 Years |

PRODUCT FEATURES

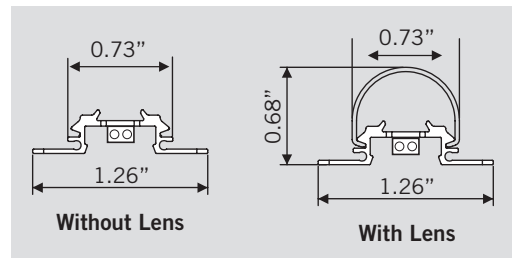
- For Use in Class 2 Lighting Systems Only
- High CRI for Truer Color Rendering
- Optional Lens Accessory
- Completely Heat Sunked, No Additional Heat Sinking Needed to maintain LED lifetime
- Low Profile, Push-In Connectors
- Made with UL Recognized Components
- 5-Step Color Binning
- 2835 LED Chip Package
- Reported Life Expectancy: L70 >54,000 hours at 85°C | L90 48,000 hours at 85°C
- Calculated Life Expectancy: L70 >160,000 hours at 85°C | L90 48,000 hours at 85°C
- Beam Angle: 120°
- Linkable in parallel with different length AlumaGroove Modules

PHYSICAL SPECIFICATIONS

Top View



Side View





ALUMAGROOVE®

KTAG-11L-350-30-9XX-RJ

HIGH EFFICACY LINEAR LED MODULE

PERFORMANCE SPECIFICATIONS

| Drive Current mA | Volts | Watts | 2700K | | | | 3000K | | | | 4000K | | | | 5000K | | | |
|---------------------|--------|-------|--------------|------------------|-----------|------------------|--------------|------------------|-----------|------------------|--------------|----------|-----------|------------------|--------------|----------|-----------|------------------|
| | | | WITHOUT LENS | | WITH LENS | | WITHOUT LENS | | WITH LENS | | WITHOUT LENS | | WITH LENS | | WITHOUT LENS | | WITH LENS | |
| | | | Flux | Efficacy lm/W | Flux | Efficacy lm/W | Flux | Efficacy lm/W | Flux | Efficacy lm/W | Flux | Efficacy | Flux | Efficacy lm/W | Flux | Efficacy | Flux | Efficacy lm/W |
| 350 | 29.828 | 10.4 | 1172 | 112.2 | 1000 | 95.8 | 1178 | 112.8 | 1006 | 96.3 | 1208 | 115.7 | 1031 | 98.8 | 1232 | 118.0 | 1052 | 100.8 |
| 337.5 | 29.710 | 10.0 | 1139 | 113.5 | 962 | 96.0 | 1144 | 114.1 | 967 | 96.5 | 1173 | 117.0 | 1002 | 99.9 | 1197 | 119.4 | 1022 | 102.0 |
| 325 | 29.596 | 9.6 | 1104 | 114.8 | 934 | 97.1 | 1109 | 115.3 | 939 | 97.6 | 1138 | 118.3 | 973 | 101.1 | 1161 | 120.7 | 992 | 103.2 |
| 312.5 | 29.484 | 9.2 | 1070 | 116.1 | 904 | 98.2 | 1075 | 116.7 | 909 | 98.7 | 1102 | 119.6 | 942 | 102.2 | 1125 | 122.1 | 961 | 104.3 |
| 300 | 29.369 | 8.8 | 1034 | 117.4 | 875 | 99.4 | 1039 | 118.0 | 880 | 99.9 | 1066 | 121.0 | 911 | 103.4 | 1088 | 123.4 | 930 | 105.6 |
| 287.5 | 29.254 | 8.4 | 999 | 118.7 | 846 | 100.6 | 1004 | 119.3 | 850 | 101.1 | 1029 | 122.4 | 881 | 104.7 | 1050 | 124.9 | 899 | 106.9 |
| 275 | 29.139 | 8.0 | 963 | 120.1 | 816 | 101.8 | 967 | 120.7 | 820 | 102.3 | 992 | 123.8 | 849 | 106.0 | 1012 | 126.3 | 867 | 108.2 |
| 262.5 | 29.028 | 7.6 | 925 | 121.4 | 785 | 103.0 | 930 | 122.0 | 789 | 103.5 | 953 | 125.1 | 817 | 107.2 | 973 | 127.7 | 834 | 109.4 |
| 250 | 28.905 | 7.2 | 887 | 122.8 | 752 | 104.1 | 892 | 123.4 | 756 | 104.6 | 915 | 126.6 | 783 | 108.4 | 933 | 129.2 | 799 | 110.6 |
| 237.5 | 28.785 | 6.8 | 849 | 124.1 | 720 | 105.3 | 853 | 124.7 | 724 | 105.9 | 875 | 127.9 | 750 | 109.7 | 892 | 130.5 | 765 | 111.9 |
| 225 | 28.659 | 6.4 | 809 | 125.5 | 688 | 106.7 | 813 | 126.1 | 691 | 107.2 | 834 | 129.3 | 716 | 111.0 | 851 | 132.0 | 731 | 113.3 |
| 212.5 | 28.540 | 6.1 | 769 | 126.9 | 653 | 107.7 | 773 | 127.5 | 656 | 108.2 | 793 | 130.7 | 680 | 112.1 | 809 | 133.4 | 694 | 114.4 |
| 200 | 28.411 | 5.7 | 730 | 128.4 | 619 | 108.9 | 733 | 129.0 | 622 | 109.4 | 752 | 132.3 | 644 | 113.3 | 767 | 135.0 | 657 | 115.6 |
| 187.5 | 28.281 | 5.3 | 688 | 129.8 | 585 | 110.2 | 692 | 130.4 | 587 | 110.8 | 709 | 133.8 | 609 | 114.8 | 724 | 136.5 | 621 | 117.1 |
| 175 | 28.170 | 4.9 | 651 | 132.1 | 553 | 112.1 | 655 | 132.8 | 555 | 112.7 | 671 | 136.2 | 575 | 116.7 | 685 | 138.9 | 587 | 119.1 |
| 162.5 | 28.045 | 4.6 | 609 | 133.6 | 517 | 113.4 | 612 | 134.3 | 519 | 114.0 | 627 | 137.7 | 538 | 118.1 | 640 | 140.5 | 549 | 120.5 |
| 150 | 27.905 | 4.2 | 566 | 135.1 | 480 | 114.8 | 568 | 135.8 | 483 | 115.3 | 583 | 139.3 | 500 | 119.5 | 595 | 142.1 | 510 | 121.9 |
| 137.5 | 27.764 | 3.8 | 522 | 136.7 | 443 | 116.1 | 524 | 137.4 | 445 | 116.7 | 538 | 140.9 | 461 | 120.9 | 549 | 143.7 | 471 | 123.3 |
| 125 | 27.624 | 3.5 | 477 | 138.2 | 405 | 117.4 | 480 | 138.9 | 407 | 118.0 | 492 | 142.5 | 422 | 122.3 | 502 | 145.4 | 431 | 124.7 |

| Circuit Layout | |
|------------------------|--------------------------|
| No. of LED's in Series | No. of LED's in Parallel |
| 10 | 4 |

ACCESSORIES

| | |
|------|----------------|
| Lens | KTAG-11L-LENS* |
|------|----------------|

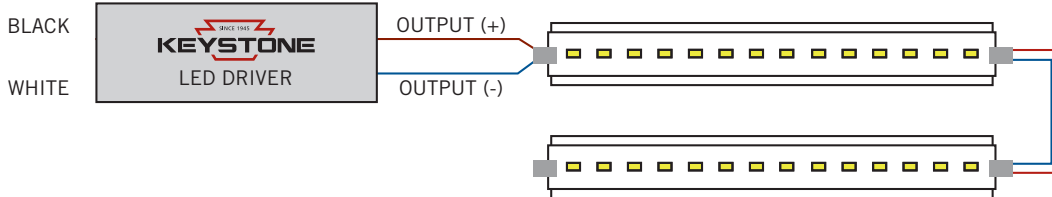
*Polycarbonate, Flammability Rating V-2



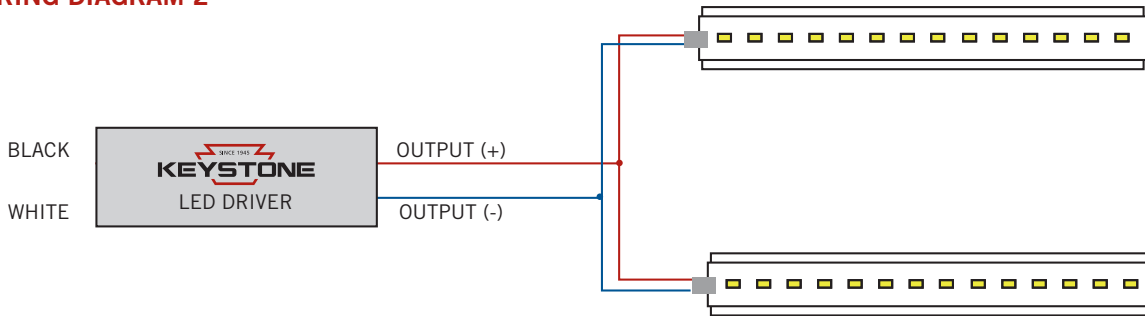
KTAG-11L-350-30-9XX-RJ

HIGH EFFICACY LINEAR LED MODULE

WIRING DIAGRAM 1*



WIRING DIAGRAM 2*



* Not to exceed a total of 8' total length for end-to-end parallel connections and not to exceed 2A input into any one connector.

ORDERING INFORMATION

| Catalog Number | Easy Code | UPC |
|---------------------------|-----------|--------------|
| KTAG-11L-350-30-927-RJ-CP | WFH-74 | 843654120669 |
| KTAG-11L-350-30-930-RJ-CP | OAC-88 | 843654120676 |
| KTAG-11L-350-30-940-RJ-CP | VNO-96 | 843654120683 |
| KTAG-11L-350-30-950-RJ-CP | YDF-23 | 843654120690 |

CATALOG NUMBER BREAKDOWN

KTAG-11L-350-30-9XX-RJ

1
2
3
4
5
6
7

- 1** Keystone Technologies AlumaGroove
- 2** Nominal Length
- 3** Max. Drive Current
- 4** Nominal Forward Voltage
- 5** 900 Series
- 6** Color Temperature
- 7** Rear-Junction Connection