



KTAG-22L-700-30-8XX-RJ

HIGH EFFICACY LINEAR LED MODULE

DESCRIPTION

High efficacy linear LED modules pre-mounted into aluminum extension via a patented manufacturing method, 22" Long.



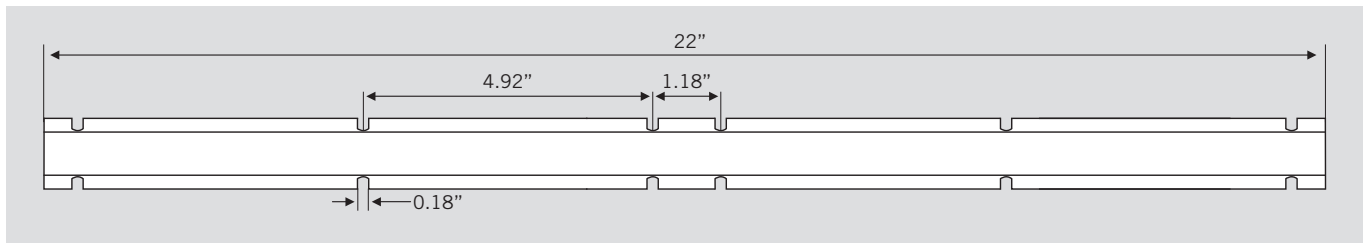
MODULE TYPE: Linear
MAX MODULE POWER: 20.9W
MAX DRIVE CURRENT: 700mA
COLOR RENDERING INDEX (CRI): >80
RECOMMENDED WIRING: Parallel Connection
WARRANTY: 5 Years

PRODUCT FEATURES

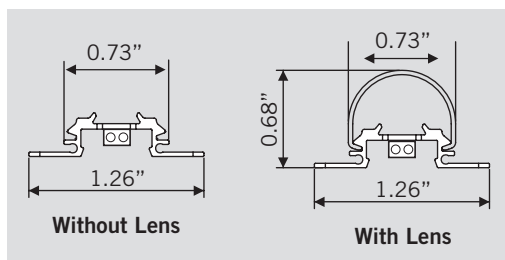
- For Use in Class 2 Lighting Systems Only
- High Lumen Density Design, Approx 1500 lm/ft
- Optional Lens Accessory
- Completely Heat Sunked, No Additional Heat Sinking Needed to maintain LED lifetime
- Low Profile, Push-In Connectors
- Made with UL Recognized Components
- 5-Step Color Binning
- 2835 LED Chip Package
- Reported Life Expectancy: L70 >54,000 hours at 85°C | L90 48,000 hours at 85°C
- Calculated Life Expectancy: L70 > 160,000 hours at 85°C | L90 48,000 hours at 85°C
- Beam Angle: 120°
- Linkable in parallel with different length AlumaGroove Modules

PHYSICAL SPECIFICATIONS

Top View



Side View



KTAG-22L-700-30-8XX-RJ

HIGH EFFICACY LINEAR LED MODULE

PERFORMANCE SPECIFICATIONS

Drive Current mA	Volts	Watts	3000K				3500K				4000K				5000K			
			WITHOUT LENS		WITH LENS		WITHOUT LENS		WITH LENS		WITHOUT LENS		WITH LENS		WITHOUT LENS		WITH LENS	
			Flux	Efficacy lm/W	Flux	Efficacy lm/W	Flux	Efficacy lm/W	Flux	Efficacy lm/W	Flux	Efficacy lm/W	Flux	Efficacy lm/W	Flux	Efficacy lm/W	Flux	Efficacy lm/W
700	29.828	20.9	2785	133	2378	112	2813	134.7	2402.0	115.0	2842	136.1	2426.2	116.2	2900	138.9	2475.7	118.6
675	29.710	20.1	2706	135	2264	113	2733	136.3	2310.4	115.2	2761	137.7	2357.6	117.6	2817	140.5	2405.7	120.0
650	29.596	19.2	2624	136	2198	114	2650	137.8	2242.7	116.6	2677	139.2	2288.5	119.0	2732	142.0	2335.2	121.4
625	29.484	18.4	2542	138	2128	115	2568	139.3	2171.4	117.8	2594	140.7	2215.7	120.2	2647	143.6	2261.0	122.7
600	29.369	17.6	2458	139	2060	117	2483	140.9	2101.7	119.3	2508	142.3	2144.6	121.7	2559	145.2	2188.4	124.2
575	29.254	16.8	2373	141	1990	118	2397	142.5	2030.9	120.7	2421	144.0	2072.4	123.2	2471	146.9	2114.6	125.7
550	29.139	16.0	2288	143	1919	120	2311	144.2	1958.5	122.2	2334	145.7	1998.5	124.7	2382	148.6	2039.3	127.2
525	29.028	15.2	2199	144	1846	121	2221	145.7	1883.9	123.6	2243	147.2	1922.3	126.1	2289	150.2	1961.6	128.7
500	28.905	14.5	2109	146	1770	122	2131	147.4	1806.3	125.0	2152	148.9	1843.2	127.5	2196	152.0	1880.8	130.1
475	28.785	13.7	2017	147	1694	124	2037	149.0	1728.6	126.4	2058	150.5	1763.9	129.0	2100	153.6	1799.9	131.6
450	28.659	12.9	1923	149	1618	125	1943	150.6	1651.1	128.0	1962	152.2	1684.8	130.6	2002	155.3	1719.2	133.3
425	28.540	12.1	1829	151	1537	127	1847	152.3	1568.0	129.3	1866	153.8	1600.0	131.9	1904	157.0	1632.6	134.6
400	28.411	11.4	1734	153	1455	128	1752	154.1	1484.9	130.7	1769	155.7	1515.2	133.3	1805	158.9	1546.2	136.1
375	28.281	10.6	1636	154	1375	130	1652	155.8	1403.4	132.3	1669	157.4	1432.0	135.0	1703	160.6	1461.2	137.8
350	28.170	9.9	1548	157	1300	132	1564	158.6	1326.9	134.6	1579	160.2	1354.0	137.3	1612	163.5	1381.6	140.1
325	28.045	9.1	1447	159	1216	133	1462	160.4	1240.8	136.1	1476	162.0	1266.1	138.9	1507	165.3	1291.9	141.7
300	27.905	8.4	1344	161	1130	135	1358	162.2	1153.2	137.7	1372	163.9	1176.7	140.6	1400	167.2	1200.7	143.4
275	27.764	7.6	1240	162	1043	137	1253	164.1	1063.8	139.3	1265	165.7	1085.6	142.2	1291	169.1	1107.7	145.1
250	27.624	6.9	1135	164	954	138	1146	165.9	973.4	141.0	1158	167.6	993.3	143.8	1181	171.0	1013.6	146.8

* Nominal Values Shown. Actual Values May Vary Based on Tolerances and Ambient Temperature.

Circuit Layout	
No. of LED's in Series	No. of LED's in Parallel
10	8

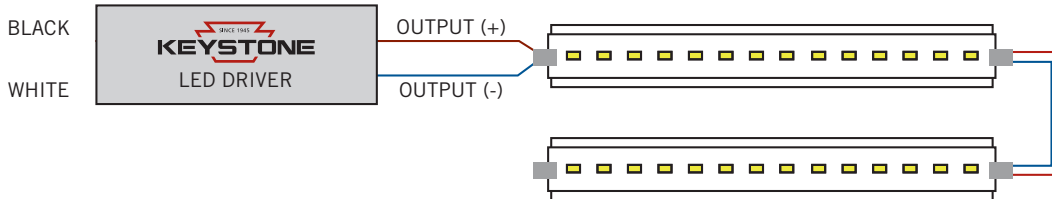
ACCESSORIES

Lens	KTAG-22L-LENS*
------	----------------

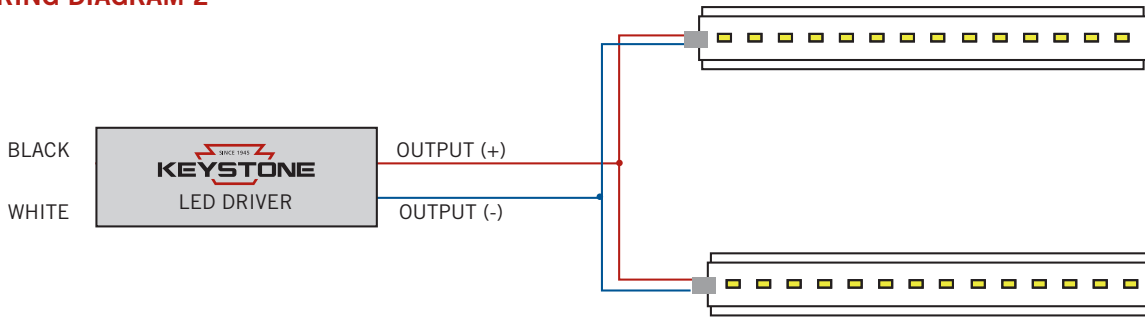
*Polycarbonate, Flammability Rating V-2

KTAG-22L-700-30-8XX-RJ HIGH EFFICACY LINEAR LED MODULE

WIRING DIAGRAM 1*



WIRING DIAGRAM 2*



* Not to exceed a total of 8' total length for end-to-end parallel connections and not to exceed 2A input into any one connector.

ORDERING INFORMATION

Catalog Number	Easy Code	UPC
KTAG-22L-700-30-830-RJ-CP	ERI-37	843654120423
KTAG-22L-700-30-835-RJ-CP	KHA-41	843654120430
KTAG-22L-700-30-840-RJ-CP	UTH-66	843654120447
KTAG-22L-700-30-850-RJ-CP	QQT-53	843654120454

CATALOG NUMBER BREAKDOWN

KTAG-22L-700-30-8XX-RJ

1

2

3

4

5

6

7

- 1 Keystone Technologies AlumaGroove
- 2 Nominal Length
- 3 Max. Drive Current
- 4 Nominal Forward Voltage
- 5 800 Series
- 6 Color Temperature
- 7 Rear-Junction Connection