



ALUMAGROOVE®

KTAG-22L-700-30-9XX-RJ HIGH EFFICACY LINEAR LED MODULE

DESCRIPTION

High efficacy linear LED modules pre-mounted into aluminum extension via a patented manufacturing method, 22" Long.



RoHS Compliant

5 YEAR WARRANTY



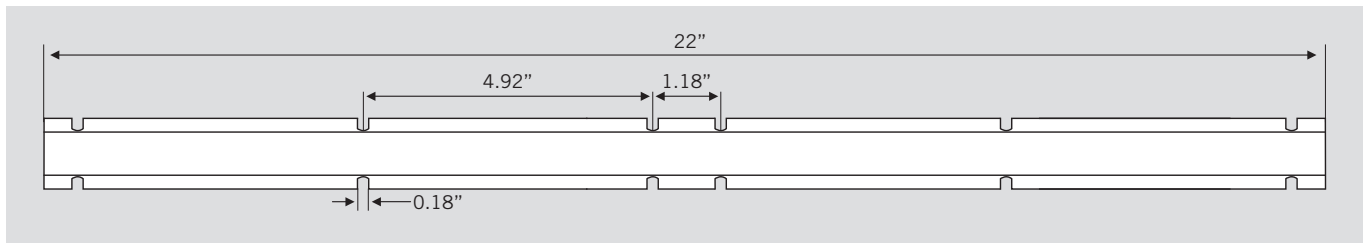
MODULE TYPE: Linear
MAX MODULE POWER: 20.9W
MAX DRIVE CURRENT: 700mA
COLOR RENDERING INDEX (CRI): >90
RECOMMENDED WIRING: Parallel Connection
WARRANTY: 5 Years

PRODUCT FEATURES

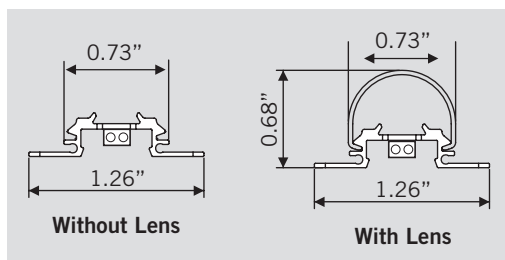
- For Use in Class 2 Lighting Systems Only
- High CRI for Truer Color Rendering
- Optional Lens Accessory
- Completely Heat Sunked, No Additional Heat Sinking Needed to maintain LED lifetime
- Low Profile, Push-In Connectors
- Made with UL Recognized Components
- 5-Step Color Binning
- 2835 LED Chip Package
- Reported Life Expectancy: L70 >54,000 hours at 85°C | L90 48,000 hours at 85°C
- Calculated Life Expectancy: L70 >160,000 hours at 85°C | L90 48,000 hours at 85°C
- Beam Angle: 120°
- Linkable in parallel with different length AlumaGroove Modules

PHYSICAL SPECIFICATIONS

Top View



Side View



KTAG-22L-700-30-9XX-RJ

HIGH EFFICACY LINEAR LED MODULE

PERFORMANCE SPECIFICATIONS

Drive Current mA	Volts	Watts	2700K				3000K				4000K				5000K			
			WITHOUT LENS		WITH LENS		WITHOUT LENS		WITH LENS		WITHOUT LENS		WITH LENS		WITHOUT LENS		WITH LENS	
			Flux	Efficacy lm/W	Flux	Efficacy lm/W	Flux	Efficacy lm/W	Flux	Efficacy lm/W	Flux	Efficacy	Flux	Efficacy lm/W	Flux	Efficacy	Flux	Efficacy lm/W
700	29.828	20.9	2344	112.2	2001	95.8	2355	112.8	2011	96.3	2415	115.7	2062	98.8	2465	118.0	2104	100.8
675	29.710	20.1	2277	113.5	1925	96.0	2288	114.1	1934	96.5	2347	117.0	2004	99.9	2395	119.4	2045	102.0
650	29.596	19.2	2208	114.8	1868	97.1	2219	115.3	1878	97.6	2276	118.3	1945	101.1	2322	120.7	1985	103.2
625	29.484	18.4	2139	116.1	1809	98.2	2150	116.7	1818	98.7	2205	119.6	1883	102.2	2250	122.1	1922	104.3
600	29.369	17.6	2068	117.4	1751	99.4	2079	118.0	1760	99.9	2132	121.0	1823	103.4	2175	123.4	1860	105.6
575	29.254	16.8	1997	118.7	1692	100.6	2007	119.3	1700	101.1	2058	122.4	1761	104.7	2100	124.9	1797	106.9
550	29.139	16.0	1925	120.1	1632	101.8	1935	120.7	1640	102.3	1984	123.8	1699	106.0	2025	126.3	1733	108.2
525	29.028	15.2	1850	121.4	1569	103.0	1859	122.0	1577	103.5	1907	125.1	1634	107.2	1946	127.7	1667	109.4
500	28.905	14.5	1775	122.8	1505	104.1	1784	123.4	1512	104.6	1829	126.6	1567	108.4	1867	129.2	1599	110.6
475	28.785	13.7	1697	124.1	1440	105.3	1706	124.7	1447	105.9	1749	127.9	1499	109.7	1785	130.5	1530	111.9
450	28.659	12.9	1618	125.5	1375	106.7	1627	126.1	1382	107.2	1668	129.3	1432	111.0	1702	132.0	1461	113.3
425	28.540	12.1	1539	126.9	1306	107.7	1546	127.5	1313	108.2	1586	130.7	1360	112.1	1618	133.4	1388	114.4
400	28.411	11.4	1459	128.4	1237	108.9	1467	129.0	1243	109.4	1504	132.3	1288	113.3	1535	135.0	1314	115.6
375	28.281	10.6	1376	129.8	1169	110.2	1383	130.4	1175	110.8	1419	133.8	1217	114.8	1447	136.5	1242	117.1
350	28.170	9.9	1303	132.1	1105	112.1	1309	132.8	1111	112.7	1342	136.2	1151	116.7	1370	138.9	1174	119.1
325	28.045	9.1	1218	133.6	1034	113.4	1224	134.3	1039	114.0	1255	137.7	1076	118.1	1281	140.5	1098	120.5
300	27.905	8.4	1131	135.1	961	114.8	1137	135.8	965	115.3	1166	139.3	1000	119.5	1190	142.1	1021	121.9
275	27.764	7.6	1044	136.7	886	116.1	1049	137.4	891	116.7	1075	140.9	923	120.9	1097	143.7	942	123.3
250	27.624	6.9	955	138.2	811	117.4	959	138.9	815	118.0	984	142.5	844	122.3	1004	145.4	862	124.7

Circuit Layout

No. of LED's in Series	No. of LED's in Parallel
10	8

ACCESSORIES

Lens	KTAG-22L-LENS*
------	----------------

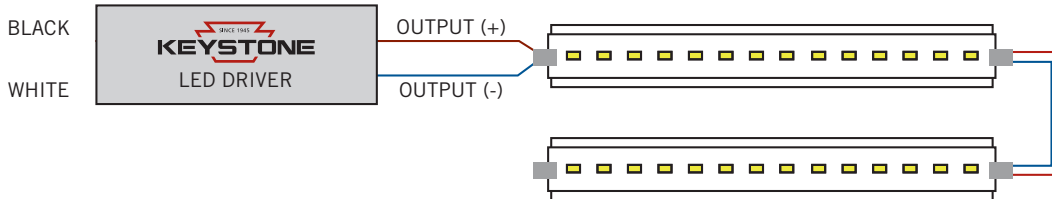
*Polycarbonate, Flammability Rating V-2



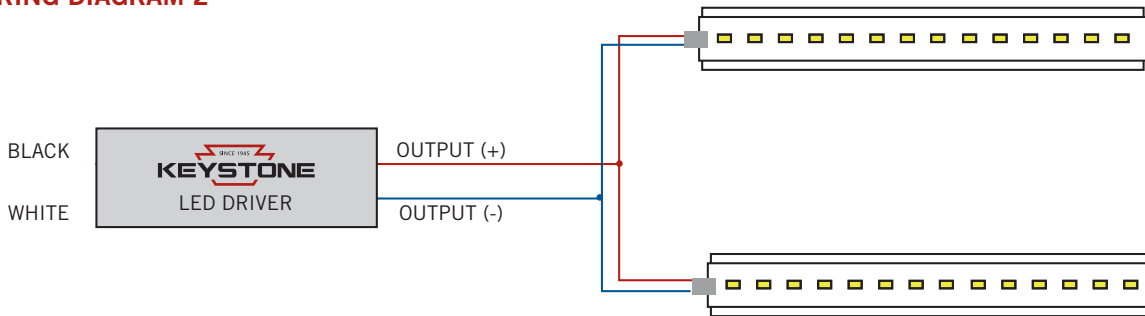
KTAG-22L-700-30-9XX-RJ

HIGH EFFICACY LINEAR LED MODULE

WIRING DIAGRAM 1*



WIRING DIAGRAM 2*



* Not to exceed a total of 8' total length for end-to-end parallel connections and not to exceed 2A input into any one connector.

ORDERING INFORMATION

Catalog Number	Easy Code	UPC
KTAG-22L-700-30-927-RJ-CP	PDH-09	843654120621
KTAG-22L-700-30-930-RJ-CP	ORB-91	843654120638
KTAG-22L-700-30-940-RJ-CP	MQH-17	843654120645
KTAG-22L-700-30-950-RJ-CP	DOA-94	843654120652

CATALOG NUMBER BREAKDOWN

KTAG-22L-700-30-9XX-RJ

1
2
3
4
5
6
7

- 1** Keystone Technologies AlumaGroove
- 2** Nominal Length
- 3** Max. Drive Current
- 4** Nominal Forward Voltage
- 5** 900 Series
- 6** Color Temperature
- 7** Rear-Junction Connection