



# KT-HBLED175-2F-8XX-VDIM-P

## LED HIGH BAY FIXTURE

### DESCRIPTION

Complete compact LED high bay fixture

### APPLICATION

Used for commercial and industrial high bay lighting applications



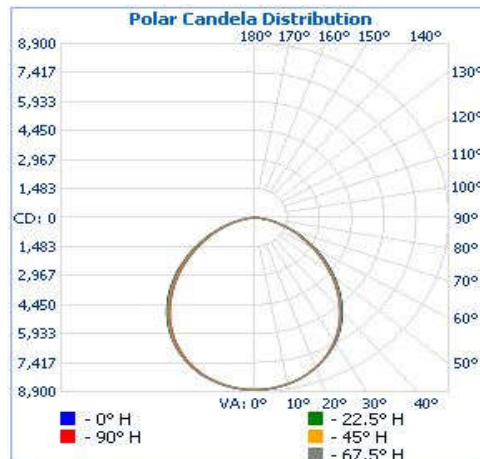
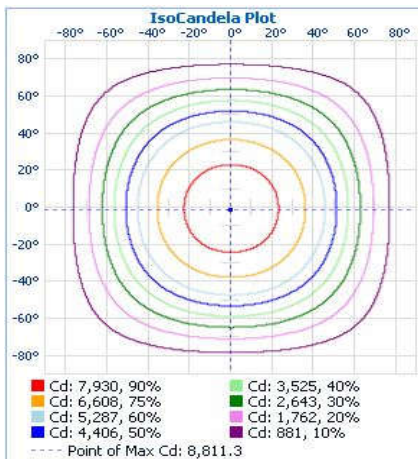
### PRODUCT FEATURES

- Architectural grade compact design
- Powered by Keystone 0-10V dimming LED drivers
- Frosted lens eliminates glare
- V-hook and chain mounting accessories included
- Compatible with Keystone SmartSafe emergency LED drivers; KT-EMRG-LED-5-500 -EN /DF or KT-EMRG-LED-12-1200-EN /DF are optimal for fixture level installation; mounting kit KT-HBLED-EM-BR-KIT required (sold separately)
- 0-10V dimming, 10% minimum
- Ambient operating temperature: -20°C/-4°F to 50°C/122°F
- UL Listed 1598: Suitable for dry and damp locations
- THD: <20%
- Power factor > 0.95
- LED chip lifetime, L70 >100,000 hours @ 25°C/77°F ambient fixture temperature
- Surge protection: 2.5kV

### PERFORMANCE SPECIFICATIONS

| Catalog Number            | Color Temperature | Nominal Length | CRI | Input Voltage | Wattage | Lumen Output | Efficacy |
|---------------------------|-------------------|----------------|-----|---------------|---------|--------------|----------|
| KT-HBLED175-2F-840-VDIM-P | 4000K             | 2'             | >82 | 120-277V      | 175W    | 23,000       | 131 lm/W |
| KT-HBLED175-2F-850-VDIM-P | 5000K             | 2'             | >82 | 120-277V      | 175W    | 23,100       | 132 lm/W |

### PHOTOMETRIC SPECIFICATIONS



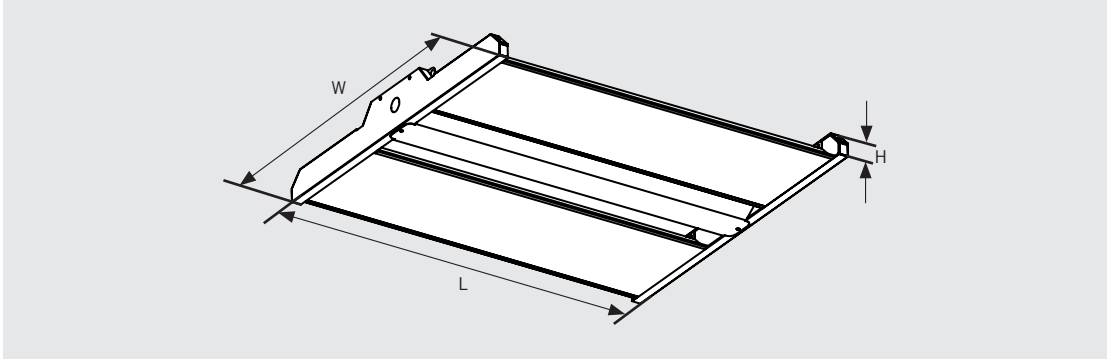
| Zone   | Lumens   | % Luminaire |
|--------|----------|-------------|
| 0-30   | 6,808.6  | 30%         |
| 0-40   | 11,055.9 | 48.8%       |
| 0-60   | 18,768.5 | 82.8%       |
| 60-90  | 3,894.4  | 17.2%       |
| 70-100 | 1,494.3  | 6.6%        |
| 90-120 | 0        | 0%          |
| 0-90   | 22,662.9 | 100%        |
| 90-180 | 0        | 0%          |
| 0-180  | 22,662.9 | 100%        |



# KT-HBLED175-2F-8XX-VDIM-P

## LED HIGH BAY FIXTURE

### PHYSICAL SPECIFICATIONS



|               |        |
|---------------|--------|
| <b>Length</b> | 24.40" |
| <b>Width</b>  | 15.00" |
| <b>Height</b> | 2.40"  |
| <b>Weight</b> | 7 lbs  |

### WIRELESS CONTROL OPTIONS

| BRAND / SYSTEM      | DESCRIPTION  | ORDERING NUMBER                      |
|---------------------|--|--------------------------------------|
| Keystone Smart Loop | KTSL-HBFC1-UV-KO-PIR Wireless 0-10V fixture controller; 3A Max load; factory installed | KT-HBLED175-2F-8XX-VDIM-P /HBFC1-PIR |
| Lutron Vive         | FCJS-010 Wireless 0-10V fixture controller; 1A Max load @ 277V; factory installed      | KT-HBLED175-2F-8XX-VDIM-P /FCJS0     |



### ORDERING INFORMATION

| Order Code                | Packaging Style | Pack Quantity | Item Status |
|---------------------------|-----------------|---------------|-------------|
| KT-HBLED175-2F-8XX-VDIM-P | Carton Pack     | 1             | Active      |

### ACCESSORIES (SOLD SEPARATELY)

| Accessory                          | Catalog Number             | Description  |
|------------------------------------|----------------------------|--|
| High Bay Motion Sensor             | HBE-PIR-120/277/347        | Dual technology occupancy sensor for LED high bay fixtures   |
| Wire Guard                         | KT-HBLED-WG-1-KIT          | Wire guard for LED high bay fixtures; fits 90W, 105W, 135W, and 175W Keystone 2F high bay fixtures |
| Pendant Mount Kit                  | KT-HBLED-PM-1-KIT          | Pendant mount kit for LED high bay fixtures; fits all Keystone 2F high bay fixtures                |
| Surface Mount Kit                  | KT-HBLED-SM-1-KIT          | Surface mount kit for LED high bay fixtures; fits all Keystone 2F high bay fixtures                |
| SmartSafe Emergency Battery Backup | KT-EMRG-LED-5-500-EN /DF   | 5W, 500 lumen SmartSafe emergency battery back-up with dual flex cables                            |
|                                    | KT-EMRG-LED-12-1200-EN /DF | 12W, 1200 lumen SmartSafe emergency battery back-up with dual flex cables for remote mounting only |
| Emergency LED Backup Mounting Kit  | KT-HBLED-EM-BR-KIT         | Designed for use with KT-EMRG-LED-5-500-EN /DF and KT-EMRG-LED-12-1200-EN /DF                      |

### CATALOG NUMBER BREAKDOWN

# KT-HBLED175-2F-8XX-VDIM-P /XXX

1
2
3
4
5
6
7
8
9

- 1** Keystone Technologies
- 2** LED High Bay Fixture
- 3** Wattage
- 4** 2' Nominal Length, Frosted Lens
- 5** 800 Series

- 6** Color Temperature
- 7** 0-10V Dimming
- 8** Premium Series
- 9** Sensor Options

#### 9 Sensor Options

|      |                           |
|------|---------------------------|
| /XXX | No option                 |
| /PIR | Occupancy sensor included |