



KT-HBLED215-2F-8XX-VDIM-P

LED HIGH BAY FIXTURE

DESCRIPTION

Complete compact LED high bay fixture

APPLICATION

Used for commercial and industrial high bay lighting applications



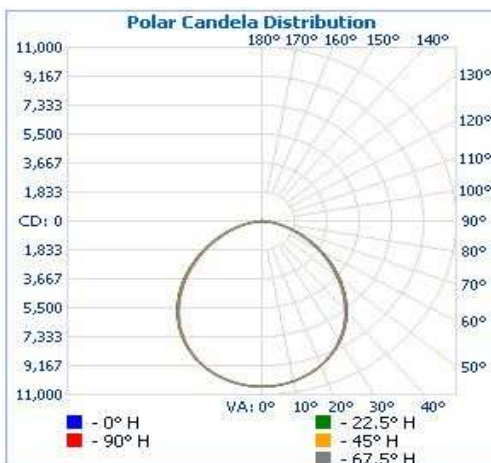
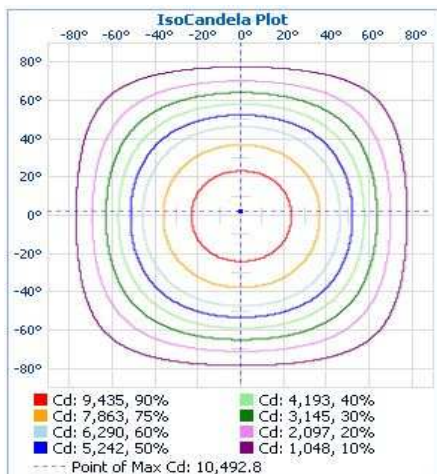
PRODUCT FEATURES

- Architectural grade compact design
- Powered by Keystone 0-10V dimming LED drivers
- Frosted lens eliminates glare
- V-hook and chain mounting accessories included
- Compatible with Keystone SmartSafe emergency LED drivers; KT-EMRG-LED-5-500 -EN /DF or KT-EMRG-LED-12-1200-EN /DF are optimal for fixture level installation; mounting kit KT-HBLED-EM-BR-KIT required (sold separately)
- 0-10V dimming, 10% minimum
- Ambient operating temperature: -20°C/-4°F to 50°C/122°F
- UL Listed 1598: Suitable for dry and damp locations
- THD: <20%
- Power factor > 0.95
- LED chip lifetime, L70 >100,000 hours @ 25°C/77°F ambient fixture temperature
- Surge protection: 2.5kV

PERFORMANCE SPECIFICATIONS

Catalog Number	Color Temperature	Nominal Length	CRI	Input Voltage	Wattage	Lumen Output	Efficacy
KT-HBLED215-2F-840-VDIM-P	4000K	2'	>82	120-277V	215W	28,000	130 lm/W
KT-HBLED215-2F-850-VDIM-P	5000K	2'	>82	120-277V	215W	28,200	131 lm/W

PHOTOMETRIC SPECIFICATIONS



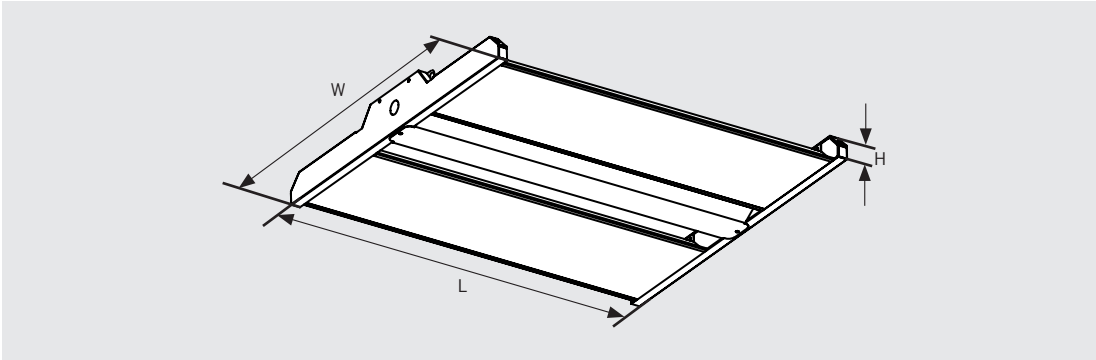
Zone	Lumens	% Luminaire
0-30	8,116.1	29.6%
0-40	13,200.0	48.2%
0-60	22,523.8	82.3%
60-90	4,775.7	17.4%
70-100	1,840.5	6.7%
90-120	18.5	0.1%
0-90	27,299.5	99.7%
90-180	75.8	0.3%
0-180	27,375.3	100%



KT-HBLED215-2F-8XX-VDIM-P

LED HIGH BAY FIXTURE

PHYSICAL SPECIFICATIONS



Length	24.40"
Width	18.90"
Height	2.40"
Weight	9 lbs

WIRELESS CONTROL OPTIONS

BRAND / SYSTEM	DESCRIPTION	ORDERING NUMBER
Keystone Smart Loop	KTSL-HBFC1-UV-KO-PIR Wireless 0-10V fixture controller; 3A Max load; factory installed	KT-HBLED215-2F-8XX-VDIM-P /HBFC1-PIR
Lutron Vive	FCJS-010 Wireless 0-10V fixture controller; 1A Max load @ 277V; factory installed	KT-HBLED215-2F-8XX-VDIM-P /FCJS0



ORDERING INFORMATION

Order Code	Packaging Style	Pack Quantity	Item Status
KT-HBLED215-2F-8XX-VDIM-P	Carton Pack	1	Active

ACCESSORIES (SOLD SEPARATELY)

Accessory	Catalog Number	Description
High Bay Motion Sensor	HBE-PIR-120/277/347	Dual technology occupancy sensor for LED high bay fixtures
Wire Guard	KT-HBLED-WG-2-KIT	Wire guard for LED high bay fixtures; fits 215W Keystone 2F high bay fixtures
Pendant Mount Kit	KT-HBLED-PM-1-KIT	Pendant mount kit for LED high bay fixtures; fits all Keystone 2F high bay fixtures
Surface Mount Kit	KT-HBLED-SM-1-KIT	Surface mount kit for LED high bay fixtures; fits all Keystone 2F high bay fixtures
SmartSafe Emergency Battery Backup	KT-EMRG-LED-5-500-EN /DF	5W, 500 lumen SmartSafe emergency battery back-up with dual flex cables
	KT-EMRG-LED-12-1200-EN /DF	12W, 1200 lumen SmartSafe emergency battery back-up with dual flex cables for remote mounting only
Emergency LED Backup Mounting Kit	KT-HBLED-EM-BR-KIT	Designed for use with KT-EMRG-LED-5-500-EN /DF and KT-EMRG-LED-12-1200-EN /DF

CATALOG NUMBER BREAKDOWN

KT-HBLED215-2F-8XX-VDIM-P /XXX

1 2 3 4 5 6 7 8 9

- 1 Keystone Technologies
- 2 LED High Bay Fixture
- 3 Wattage
- 4 2' Nominal Length, Frosted Lens
- 5 800 Series

- 6 Color Temperature
- 7 0-10V Dimming
- 8 Premium Series
- 9 Sensor Options

9 Sensor Options	
/XXX	No option
/PIR	Occupancy sensor included