



KT-LED60HID-V-E26-850-D

HID REPLACEMENT LED LAMP

DESCRIPTION

60W HID Replacement LED Lamp | 5000K | >80 CRI | Vertical Light Direction



| |
|---|
| LAMP TYPE: HID Replacement LED |
| BASE TYPE: E26 (Medium) |
| WATTAGE: 60W |
| COLOR TEMPERATURE: 5000K |
| METAL HALIDE EQUIVALENT: 200W |
| COLOR RENDERING INDEX (CRI): >80 |
| WARRANTY: 5 Years |



PRODUCT FEATURES

- Replacement for conventional metal halide lamp
- Non-dimmable; Do not dim
- 50,000+ hour lifetime
- Environmentally friendly: No mercury used
- Instant startup
- Suitable for use in fully enclosed fixture. Minimum lamp compartment dimensions: 8in x 8in x 8.2in
- UL listed
- Delivers approximately 5% uplight
- Integral driver, eliminates the need for external driver or ballast; Includes 4kV surge protection
- Operating temperature range: -29°C/-20°F to 60°C/140°F
- Lamp top has a low-voltage AUX port for lamp level sensor controls

OPERATING SPECIFICATIONS

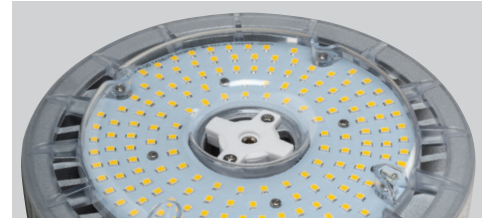
ELECTRICAL CHARACTERISTICS

| Input Voltage | Power Consumption | Power Factor | Input Current |
|---------------|-------------------|--------------|------------------------------|
| 120-277Vac | 60W | >0.9 | 0.50A @ 120V 0.22A @ 277V |

PHOTOMETRIC CHARACTERISTICS

| | |
|-----------------------------|----------|
| Color Temperature (CCT) | 5000K |
| Luminous Flux | 8900 lm |
| Color Rendering Index (CRI) | >80 |
| Efficacy | 148 lm/W |
| Visible Light Area | 180° |

SMART PORT LED COMPATIBLE

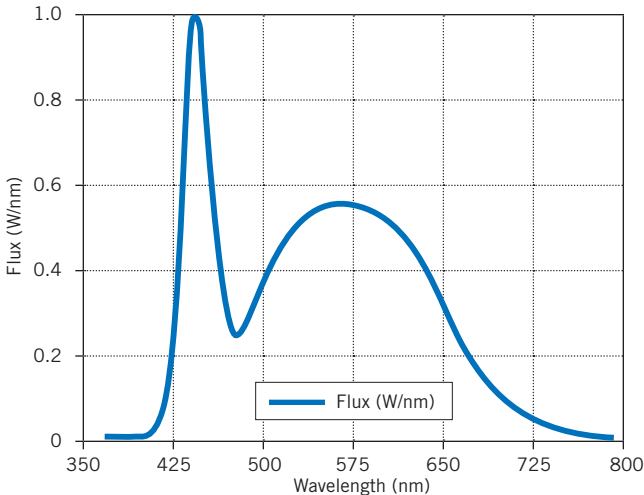


On the top of the lamp is a low-voltage AUX port for Smart Port LED sensors. See *Accessories* for available sensor options.

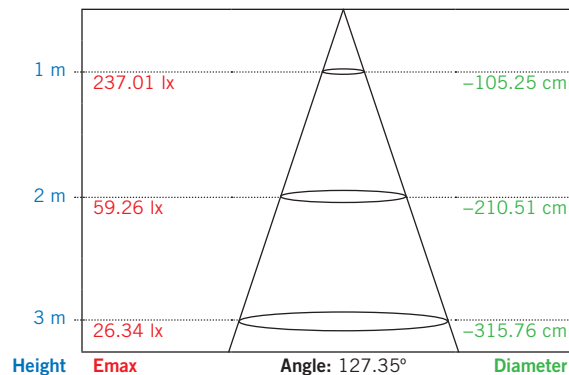
RATED LIFE

| | |
|-------------|--------|
| L70 (Hours) | 50,000 |
|-------------|--------|

SPECTRAL DISTRIBUTION



LUX DISTANCE CURVE



Note: The curves indicate the illuminated area and the average illumination when the luminaire is at a different distance.

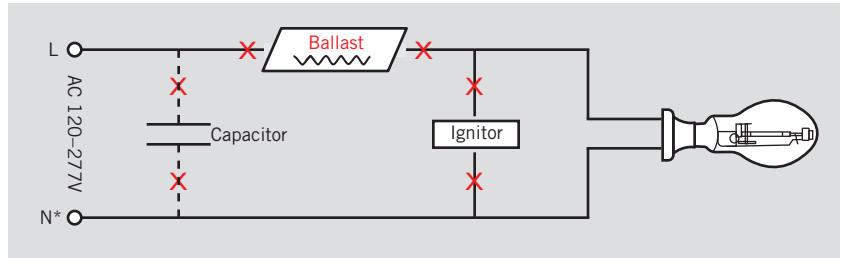
KT-LED60HID-V-E26-850-D

HID REPLACEMENT LED LAMP

WIRING INSTRUCTIONS

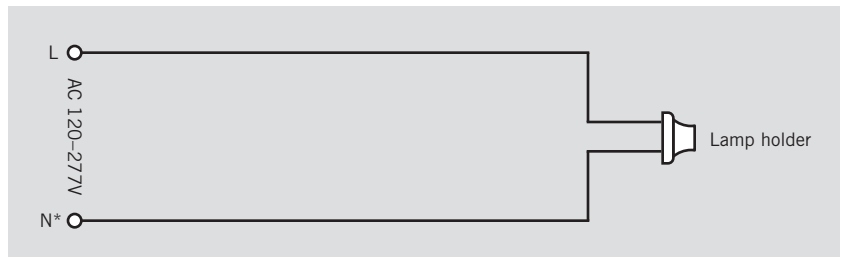
STEP 1

Disconnect power. Disconnect and remove existing ballast, capacitor, and/or ignitor (where applicable) from fixture.



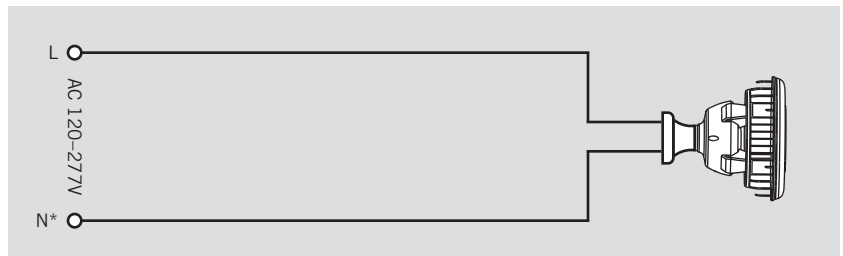
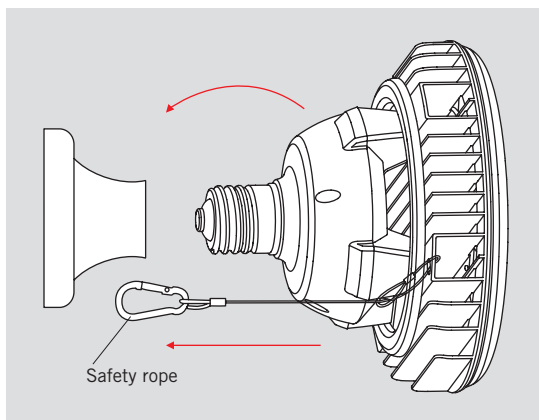
STEP 2

Rewire for line voltage to the lamp socket. Lamp is compatible with 120-277V from single phase, three phase wye, and three phase delta systems.



STEP 3

Install new LED replacement lamp. Ensure lamp is operating properly when power is turned on.



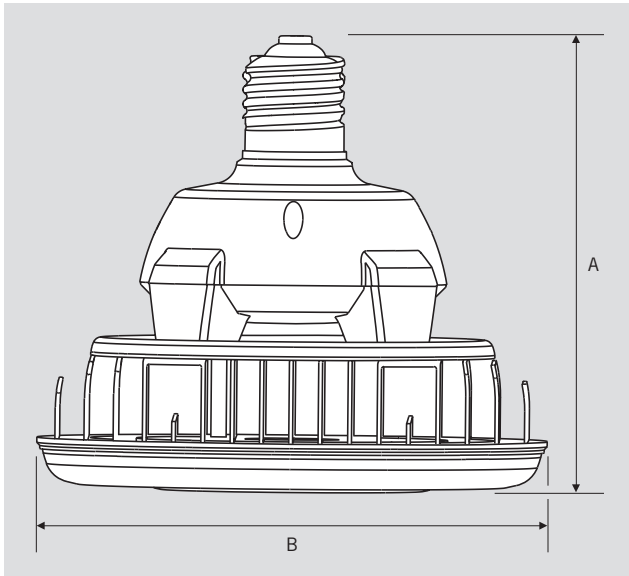
*or other line for certain three phase systems such as 120/208 three phase wye systems



KT-LED60HID-V-E26-850-D

HID REPLACEMENT LED LAMP

PHYSICAL CHARACTERISTICS



LAMP DIMENSIONS

| | |
|-----------------|-------|
| A (Body Length) | 6.14" |
| B (Diameter) | 6.88" |

BASE TYPE: E26 (Medium)

ACCESSORIES (SOLD SEPARATELY)

| Catalog Number | Description |
|------------------|---|
| KTS-MW1-12V-AUX | SmartPort LED Microwave Occupancy sensor: On/Off with adjustable standby dimming level; 12V input |
| KTS-PIR1-12V-AUX | SmartPort LED PIR Occupancy sensor: On/Off with adjustable standby dimming level; 12V input |
| KTS-PS1-12V-AUX | SmartPort LED Photocell: On/Off with adjustable daylight threshold and timing; 12V input |

ORDERING INFORMATION

| ORDER CODE | PACKAGING STYLE | PACK QTY. | ITEM STATUS |
|----------------------------|---------------------------------------|-----------|-------------|
| KT-LED60HID-V-E26-850-D-DP | Distributor Pack (Individual Cartons) | 4 | Quick Ship |

CATALOG NUMBER BREAKDOWN

KT-LED60HID-V-E26-850-D

1 2 3 4 5 6 7 8 9

- 1 Keystone Technologies
- 2 LED Lamp
- 3 Wattage
- 4 Lamp Type
- 5 Vertical Orientation
- 6 Base Type
- 7 800 Series
- 8 Color Temperature
- 9 Direct-Drive Series