



KT-LED80HID-V-EX39-840-D /G2

HID REPLACEMENT LED LAMP

DESCRIPTION

80W HID Replacement LED Lamp | 4000K | >80 CRI | Vertical Light Direction



LAMP TYPE: HID Replacement LED	METAL HALIDE EQUIVALENT: 250W
BASE TYPE: EX39 (Mogul)	COLOR RENDERING INDEX (CRI): >80
WATTAGE: 80W	WARRANTY: 5 Years
COLOR TEMPERATURE: 4000K	



PRODUCT FEATURES

- Replacement for conventional metal halide lamp
- 50,000+ hour lifetime
- Environmentally friendly: No mercury used
- Instant startup
- UL listed
- Suitable for use in fully enclosed fixture. Minimum lamp compartment dimensions: 9.8in x 9.8in x 8.2in
- Delivers approximately 5% uplight
- Integral driver, eliminates the need for external driver or ballast; Includes 4kV surge protection
- Operating temperature range: -30°C/-22°F to 60°C/140°F
- Exceeding 30°C/86°F in fully enclosed fixtures will engage active cooling and power de-rating to ensure full product lifetime
- Lamp top has a low-voltage AUX port for lamp level sensor controls
- Do not use with standard dimmers. Not compatible with phase dimmers. Dimming functions with sensors only

OPERATING SPECIFICATIONS

ELECTRICAL CHARACTERISTICS

Input Voltage	Power Consumption	Power Factor	Input Current
120-277Vac	80W	>0.9	0.67A @ 120V 0.29A @ 277V

RATED LIFE

L70 (Hours)	50,000
--------------------	--------

PHOTOMETRIC CHARACTERISTICS

Color Temperature (CCT)	4000K
Luminous Flux*	10500 lm
Color Rendering Index (CRI)	>80
Efficacy	131 lm/W
Visible Light Area	180°

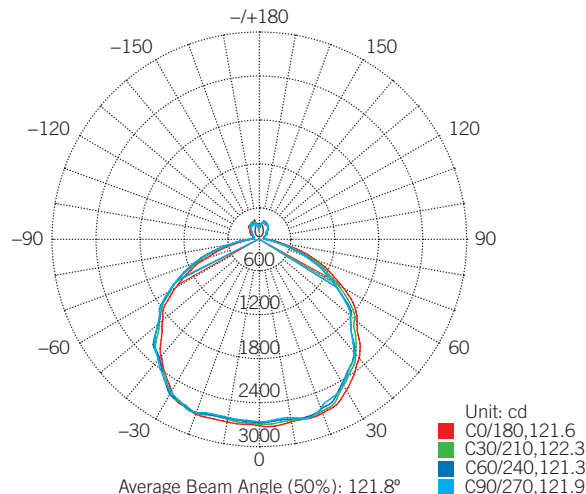
* Based off of total lamp lumens

SMART PORT LED COMPATIBLE

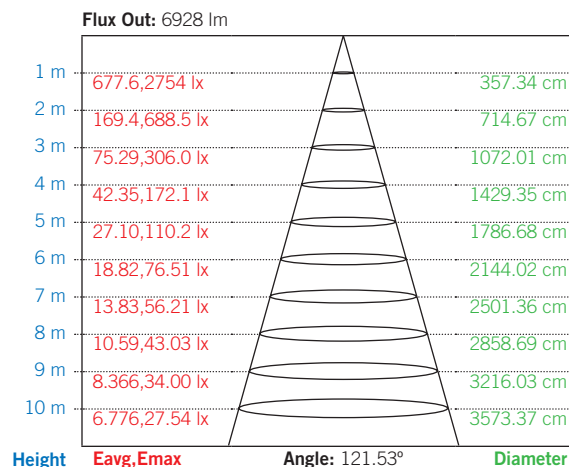


On the top of the lamp is a low-voltage AUX port for Smart Port LED sensors. See *Accessories* for available sensor options.

POLAR CANDELA DISTRIBUTION



LUX DISTANCE CURVE



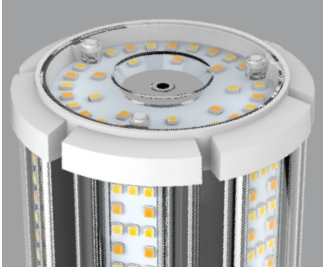
Note: The curves indicate the illuminated area and the average illumination when the luminaire is at a different distance.



KT-LED80HID-V-EX39-840-D /G2

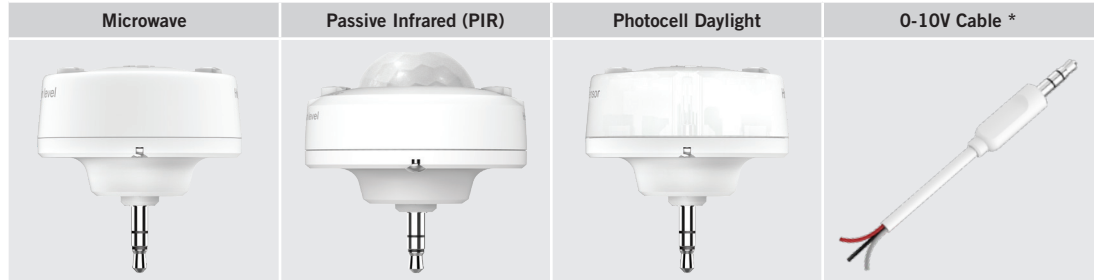
HID REPLACEMENT LED LAMP

SMART PORT LED



On the top of the lamp is a low-voltage AUX port for lamp level sensor controls.

SMART PORT LED AUX SENSORS

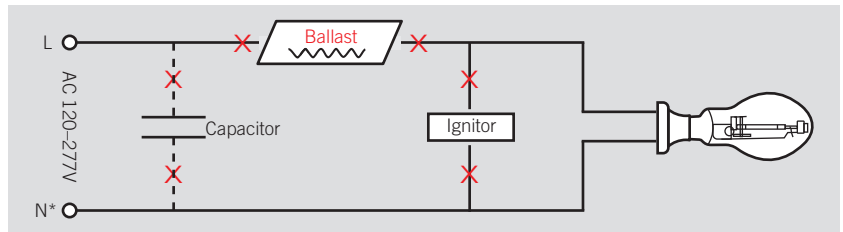


* For use with continuous dimming applications.

WIRING INSTRUCTIONS

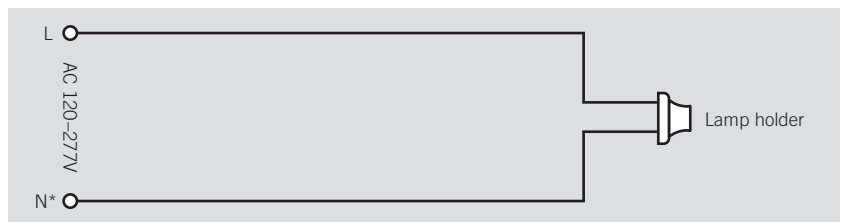
STEP 1

Disconnect power. Disconnect and remove existing ballast, capacitor, and/or ignitor (where applicable) from fixture.



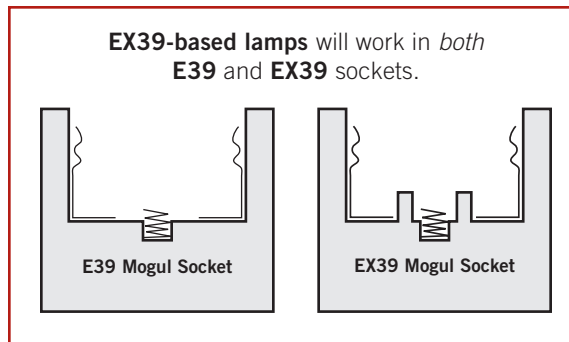
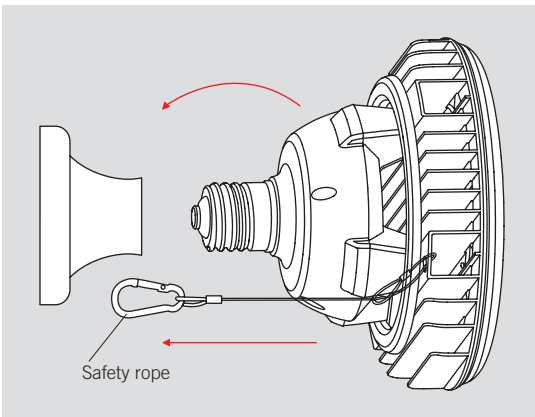
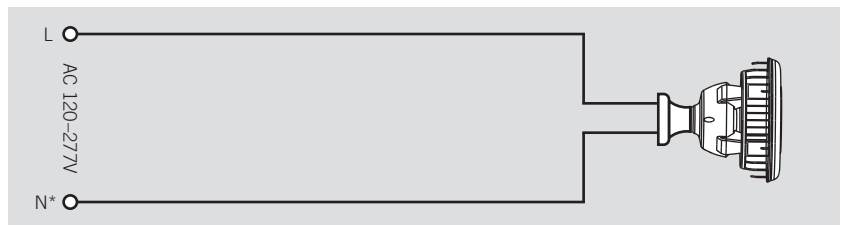
STEP 2

Rewire for line voltage to the lamp socket. Lamp is compatible with 120-277V from single phase, three phase wye, and three phase delta systems.



STEP 3

Install new LED replacement lamp. Ensure lamp is operating properly when power is turned on.



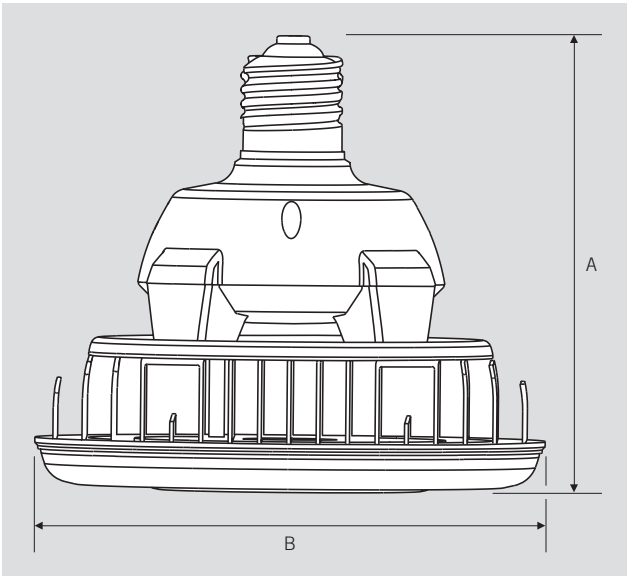
*or other line for certain three phase systems such as 120/208 three phase wye systems



KT-LED80HID-V-EX39-840-D /G2

HID REPLACEMENT LED LAMP

PHYSICAL CHARACTERISTICS



LAMP DIMENSIONS

A (Body Length)	6.88"
B (Diameter)	7.87"

BASE TYPE: EX39 (Mogul)

ACCESSORIES (SOLD SEPARATELY)

Catalog Number	Description
KTS-MW1-12V-AUX	SmartPort LED Microwave Occupancy sensor: On/Off with adjustable standby dimming level; 12V input
KTS-PIR1-12V-AUX	SmartPort LED PIR Occupancy sensor: On/Off with adjustable standby dimming level; 12V input
KTS-PS1-12V-AUX	SmartPort LED Photocell: On/Off with adjustable daylight threshold and timing; 12V input

ORDERING INFORMATION

ORDER CODE	PACK QTY.	EASY CODE	UPC
KT-LED80HID-V-EX39-840-D /G2	4	JAW-01	843654121772

CATALOG NUMBER BREAKDOWN

KT-LED80HID-V-EX39-840-D /G2

- 1
- 2
- 3
- 4
- 5
- 6
- 7
- 8
- 9
- 10

- 1 Keystone Technologies
- 2 LED Lamp
- 3 Wattage
- 4 Lamp Type
- 5 Vertical Orientation
- 6 Base Type
- 7 800 Series
- 8 Color Temperature
- 9 Direct-Drive Series
- 10 Second Generation