



# KT-WPLED55-M1-8CSB-VDIM

## TRADITIONAL 55W NON-CUTOFF LED WALL PACK

**DESCRIPTION**

Traditional 55W Non-Cutoff LED Wall Pack | 120–277V Input | 3000–5000K | Medium-Size Bronze Housing | Glass Lens

**APPLICATION**

Building Mount for exterior illumination (perimeters, pathways, loading docks, and other general security lighting requirements)



**PRODUCT FEATURES**

- Traditional design matches appearance and light distribution pattern of legacy HID, optimized for one-for-one replacements
- Heavy-duty, die-cast aluminum housing with (5) available 1/2" threaded conduit hubs: (1) on back and (1) on all four sides
- Powered by Keystone 0–10V dimming LED drivers
- Keystone Color Select Technology: Adjustable CCT (3000K, 4000K, or 5000K)
- Built-in dusk-to-dawn photocell behind translucent 3/4" threaded plug with anti-yellowing agent
- Borosilicate glass lens diffuses light source and provides uniform distribution
- Covers footprint of mid-size HID wallpacks
- Ambient operating temperature: –40°C/–40°F to 50°C/122°F
- UL listed for wet locations, IP65
- 0–10V dimming, 10% min
- Power Factor: >0.95
- THD: <20%
- LED chip lifetime: L70 >100,000 hrs @ 25°C/77°F ambient fixture temp
- Meets FCC Part 15, Part B, Class A standards for conducted and radiated emissions
- Fixture impact rating IK06
- Compatible with Keystone LED Emergency Backups

**ELECTRICAL SPECIFICATIONS**

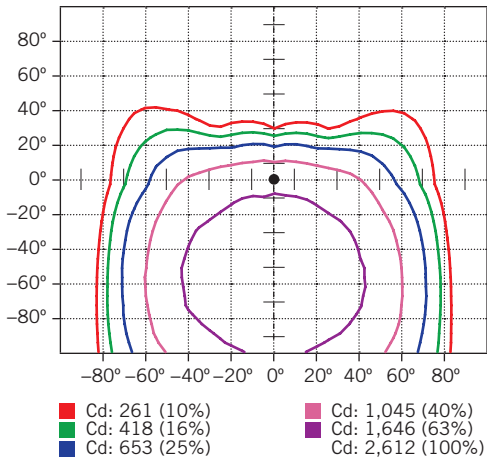
Catalog Number	Wattage	Lumens	Lumens Below 90°	Dimming	CCT*	Efficacy	CRI	Housing Color	Input Voltage	Rated Life	Legacy Equivalent
KT-WPLED55-M1-8CSB-VDIM	55W	7200 lm	6480 lm	0–10V	3000K	131 lm/W	>80	Bronze	120–277V	50,000 hrs	175–250W MH
		7690 lm	6895 lm		4000K	140 lm/W					
		7450 lm	6705 lm		5000K	135 lm/W					

\* Color Uniformity: CCT (Correlated Color Temperature) range as per guidelines outlined in ANSI C78.377-2017

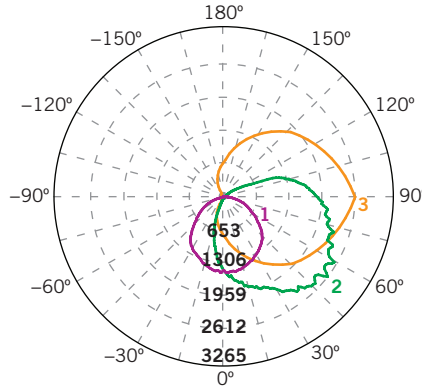
**KT-WPLED55-M1-8CSB-VDIM**  
TRADITIONAL 55W NON-CUTOFF LED WALL PACK

**PHOTOMETRIC SPECIFICATIONS**

**ISOCANDELA PLOT**



**LUMINOUS INTENSITY DISTRIBUTION**



Average diffuse angle (50%): **109.9°**

- 1 Violet C0-C180
- 2 Green C90-C270
- 3 Orange G52

Unit: cd

**FLUX DISTRIBUTION**

Zone	Lumens	% Luminaire
<b>Forward Light</b>	6,006 lm	81.9%
0°-30°	734 lm	10.0%
30°-60°	2,633 lm	35.9%
60°-80°	1,981 lm	27.0%
80°-90°	658 lm	9.0%
<b>Back Light</b>	629 lm	8.6%
0°-30°	241 lm	3.3%
30°-60°	294 lm	4.0%
60°-80°	80 lm	1.1%
80°-90°	15 lm	0.2%
<b>Up Light</b>	691 lm	9.5%
90°-100°	313 lm	4.3%
100°-180°	378 lm	5.2%

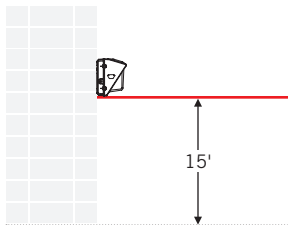
**BUG\* Rating**

Asymmetrical Luminaire Types	
Type I, II, III, IV	B1 U3 G4
Quadrilateral Symmetrical Luminaire Types	
Type V, Area Light	B1 U3 G4

\* Backlight, Uplight, Glare

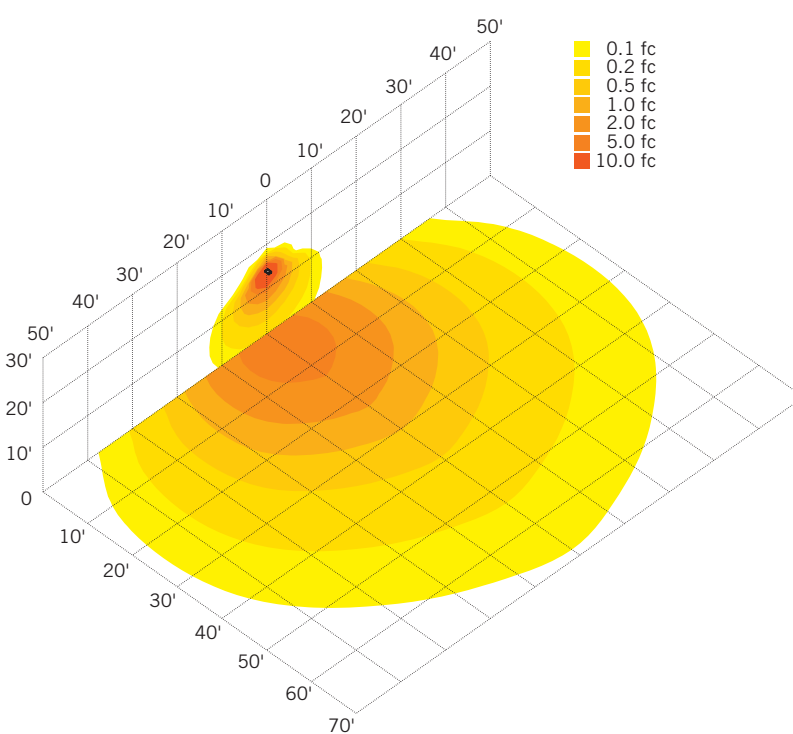
**MOUNTING**

Side view



**LIGHT DISTRIBUTION PATTERN**

Isometric view from above; Luminaire mounted at 15'

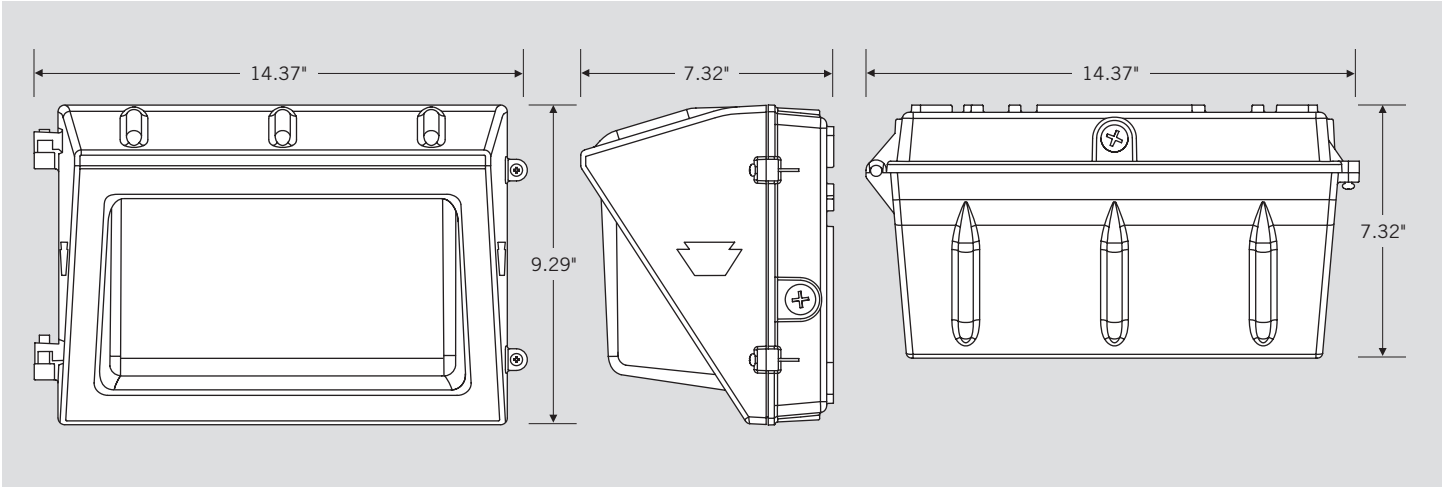




# KT-WPLED55-M1-8CSB-VDIM

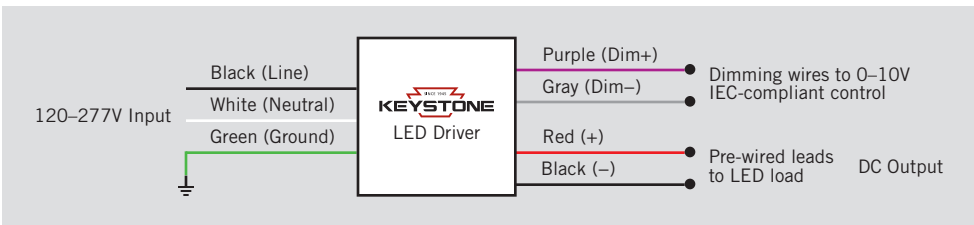
## TRADITIONAL 55W NON-CUTOFF LED WALL PACK

### PHYSICAL SPECIFICATIONS



### GENERAL SETUP INSTRUCTIONS

#### GENERAL WIRING DIAGRAM



**Caution:** Before installing, make certain that AC power to the fixture is off.

**Caution:** The electrical rating of this product is 120-277V. Installer must confirm that there is 120-277V at the fixture before installation.

#### PHOTOCELL ENABLE/DISABLE

This fixture is equipped with a dusk-to-dawn photocell behind the translucent knock-out (KO) cover. Adjust the dip switch to enable (ON) or disable (OFF) the photocell function (see illustrations to the right). Fixture comes preset with photocell enabled unless otherwise noted.

#### COLOR SELECT (CCT) ADJUSTMENT

This fixture is equipped with Color Select technology. There is an adjustable dip switch behind the translucent knock-out (KO) cover to change CCT between 5000K, 4000K, and 3000K (see illustrations to the right). Fixture comes preset at 5000K unless otherwise noted.

