



KT-BPLED40PS-22-8CSA-VDIM /G2

BACKLIT LED PANEL LIGHT

DESCRIPTION

2'x2' LED panel light, 20, 30 and 40W, 120-277V input, 0-10V dimming Generation 2



PRODUCT FEATURES

- Aluminum frame featuring stepped edge design detail and gloss white paint for improved aesthetics
 - New backlit style design; fits standard T-grid ceilings
 - Suitable for recessed or surface mount (with optional accessories)*
 - Construction features precise optical lenses over each individual LED, offering optimal light diffusion and consistent surface illumination, with no risk of yellowing over product lifetime
 - Suitable for damp locations
 - Powered by Keystone 0-10V dimmable LED driver with built-in junction box
 - Compatible with Keystone SmartSafe LED emergency backup
 - Over 50% energy savings compared to traditional fluorescent troffers
 - Operating temp range -20°C/-4°F to 40°C/104°F
- * For use in non-fire rated installations only

PERFORMANCE SPECIFICATIONS

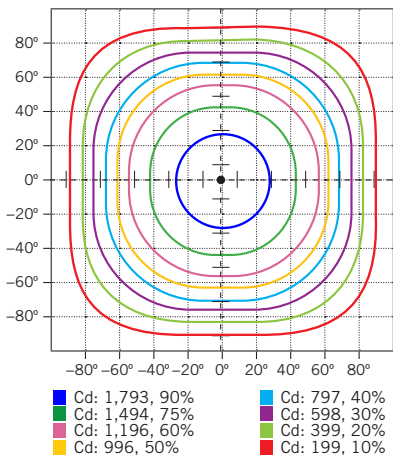
Catalog Number	Input Voltage	Wattage	CCT	Lumen Output	Efficacy	CRI	Power Factor	Lifetime
KT-BPLED40PS-22-8CSA-VDIM /G2*	120-277V	40W	3500K	4,400	110 lm/W	>80	>0.9	50,000 Hours
			4000K	4,500	113 lm/W			
			5000K	4,450	111 lm/W			
		30W	3500K	3,400	111 lm/W			
			4000K	3,500	117 lm/W			
			5000K	3,450	115 lm/W			
		20W	3500K	2,400	111 lm/W			
			4000K	2,500	125 lm/W			
			5000K	2,450	123 lm/W			

ONE CATALOG NUMBER WITH 9 DIFFERENT OPTIONS

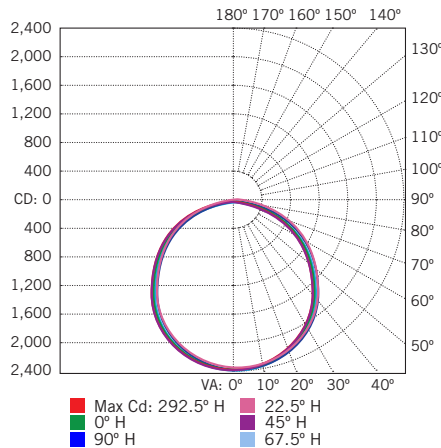
* Preset to highest lumen output (40W / 5000K)
 * Color Uniformity: CCT (Correlated Color Temperature) range as per guidelines outlined in ANSI C78.377-2017.

PHOTOMETRIC SPECIFICATIONS

ISOCANDELA PLOT



POLAR CANDELA DISTRIBUTION

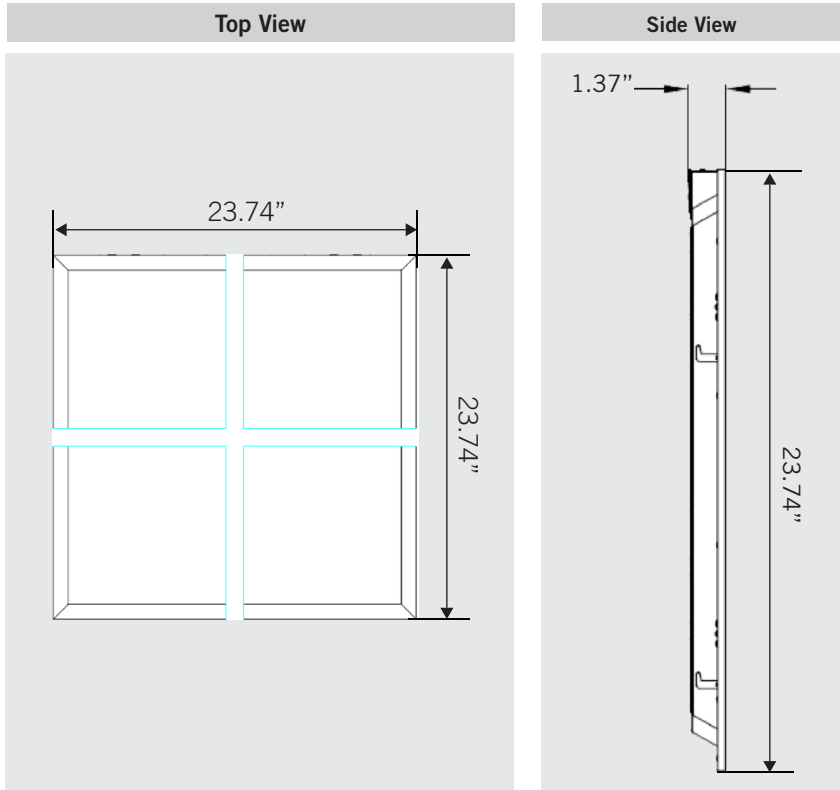


ZONAL LUMEN SUMMARY

Zone	Lumens	% Luminaire
0-60	3,252.2	78.4%
60-90	891.5	21.5%
0-90	4,143.7	99.9%
90-180	3.9	0.1%
0-180	4,147.6	100%

KT-BPLED40PS-22-8CSA-VDIM /G2
BACKLIT LED PANEL LIGHT

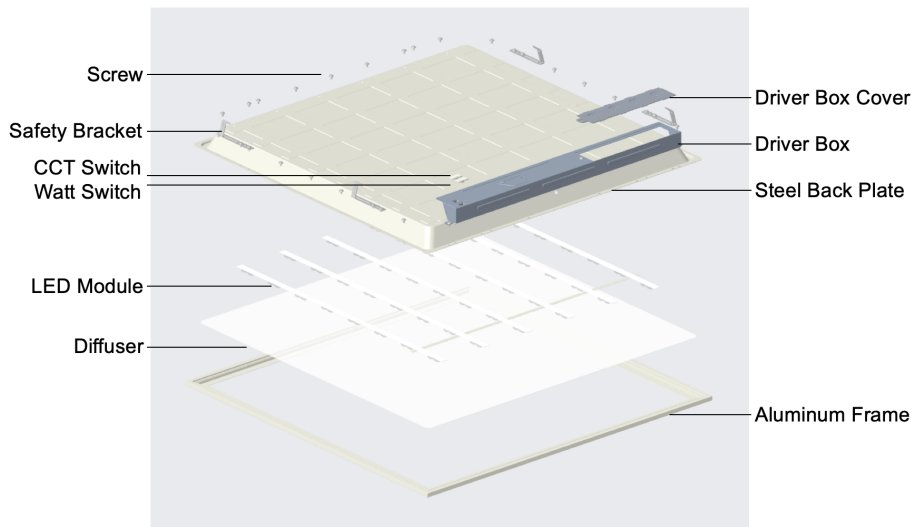
PHYSICAL SPECIFICATIONS



WEIGHT INFORMATION

1 Piece	1 Carton
6.2 lbs	12.4 lbs

EXPLODED VIEW





KT-BPLED40PS-22-8CSA-VDIM /G2

BACKLIT LED PANEL LIGHT

ACCESSORIES (SOLD SEPARATELY)

Accessory	Catalog Number	Description
Emergency Battery Backup Mounting Kit	KT-BPLED-EM-22/4-KIT	Mounting Bracket for SmartSafe LED emergency backup for 2x2 and 2x4 backlit panels
Surface Mount Kit	KT-BPLED-SM-22-KIT	Surface Mount Kit 2x2 Backlit panels
Cable Mount Kit	KT-BPLED-CABLE-KIT	Cable Mount Kit
J-Box	KT-BPLED-JBOX-2	Larger J-Box add-on for LED Backlit Panels, DLC Premium and Power Select Models

ORDERING INFORMATION

CATALOG NUMBER	CARTON QTY.	EASY CODE	UPC
KT-BPLED40PS-22-8CSA-VDIM /G2	2	OYB-58	843654127866

CATALOG NUMBER BREAKDOWN

KT-BPLED40PS-22-8CSA-VDIM /G2

1
2
3
4
5
6
7
8
9
10

- 1** Keystone Technologies
- 2** Backlit Panel Light LED Fixture
- 3** Wattage
- 4** Power Select
- 5** 2' x 2' Nominal Size
- 6** 800 Series
- 7** Color Select
- 8** 3500, 4000, or 5000K Color Temperature
- 9** 0-10V Dimming
- 10** Generation 2