



# KT-LED60HID-V-EX39-830-D

## HID REPLACEMENT LED LAMP

### DESCRIPTION

60W HID Replacement LED Lamp | 3000K | >80 CRI | Vertical Light Direction



<b>LAMP TYPE:</b> HID Replacement LED
<b>BASE TYPE:</b> EX39 (Mogul)
<b>WATTAGE:</b> 60W
<b>COLOR TEMPERATURE:</b> 3000K
<b>METAL HALIDE EQUIVALENT:</b> 200W
<b>COLOR RENDERING INDEX (CRI):</b> >80
<b>WARRANTY:</b> 5 Years

### PRODUCT FEATURES

- Replacement for conventional metal halide lamp
- 50,000+ hour lifetime
- Environmentally friendly: No mercury used
- Instant startup
- UL listed
- Delivers approximately 5% uplight
- Operating temperature range: -29°C/-20°F to 60°C/140°F
- Suitable for use in fully enclosed fixture. Minimum lamp compartment dimensions: 8in x 8in x 8.2in
- Integral driver, eliminates the need for external driver or ballast; Includes 4kV surge protection
- Lamp top has a low-voltage AUX port for lamp level sensor controls
- Do not use with standard dimmers. Not compatible with phase dimmers. Dimming functions with sensors only

### OPERATING SPECIFICATIONS

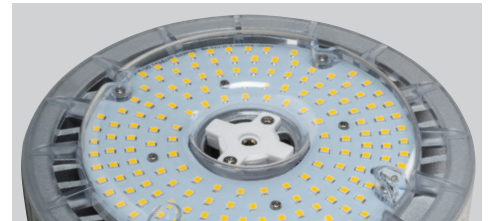
#### ELECTRICAL CHARACTERISTICS

Input Voltage	Power Consumption	Power Factor	Input Current
120-277Vac	60W	>0.9	0.50A @ 120V 0.22A @ 277V

#### PHOTOMETRIC CHARACTERISTICS

Color Temperature (CCT)	3000K
Luminous Flux	6,800 lm
Color Rendering Index (CRI)	>80
Efficacy	113 lm/W
Visible Light Area	180°

#### SMART PORT LED COMPATIBLE

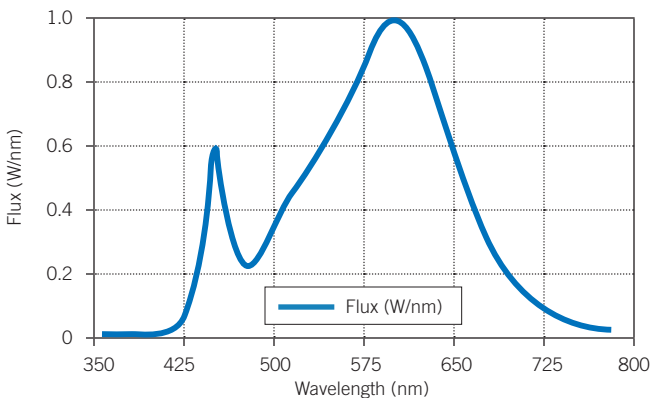


On the top of the lamp is a low-voltage AUX port for Smart Port LED sensors. See *Accessories* for available sensor options.

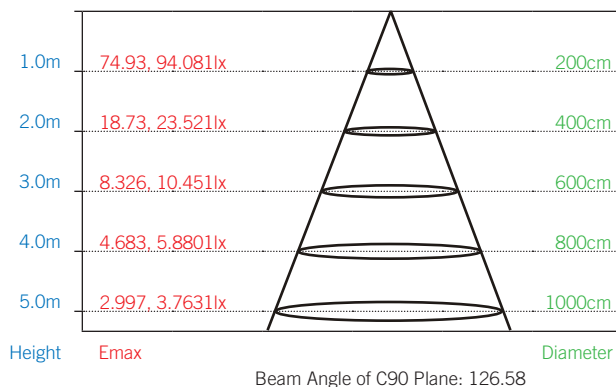
#### RATED LIFE

L70 (Hours)	50,000
-------------	--------

#### SPECTRAL DISTRIBUTION



#### LUX DISTANCE CURVE



Note: The curves indicate the illuminated area and the average illumination when the luminaire is at a different distance.

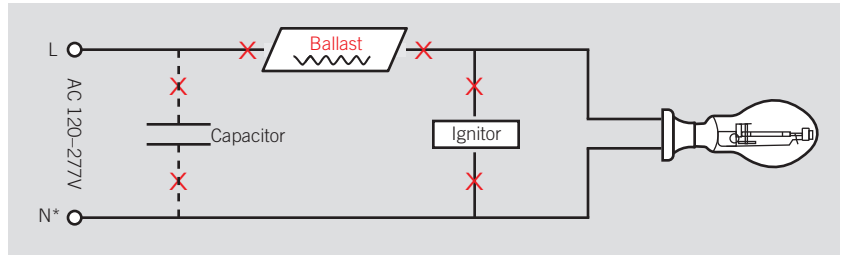
# KT-LED60HID-V-EX39-830-D

## HID REPLACEMENT LED LAMP

### WIRING INSTRUCTIONS

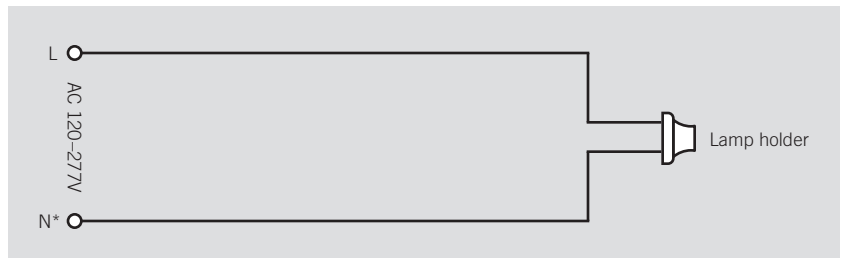
#### STEP 1

**Disconnect power.** Disconnect and remove existing ballast, capacitor, and/or ignitor (where applicable) from fixture.



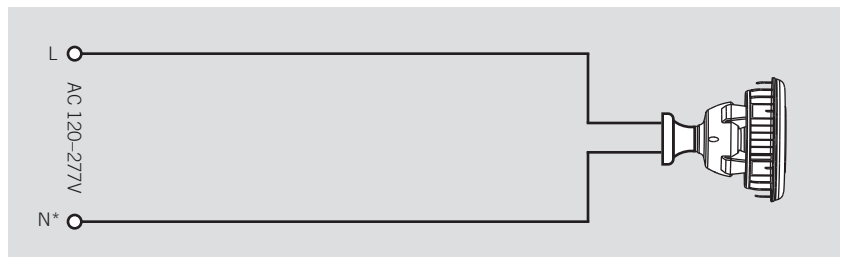
#### STEP 2

Rewire for line voltage to the lamp socket. Lamp is compatible with 120-277V from single phase, three phase wye, and three phase delta systems.



#### STEP 3

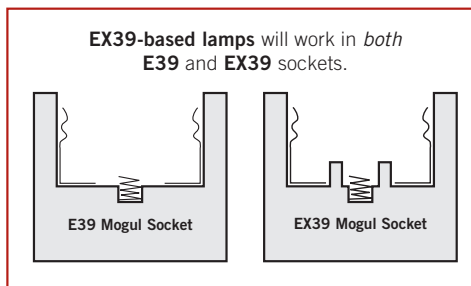
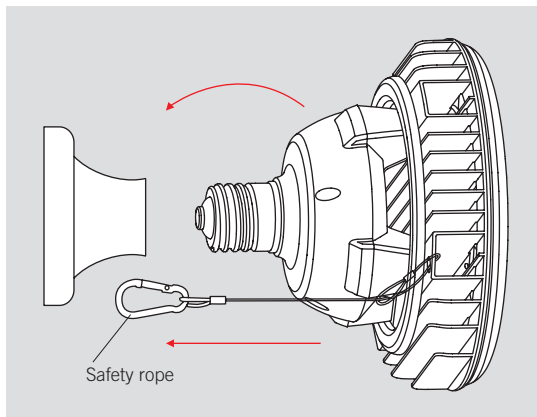
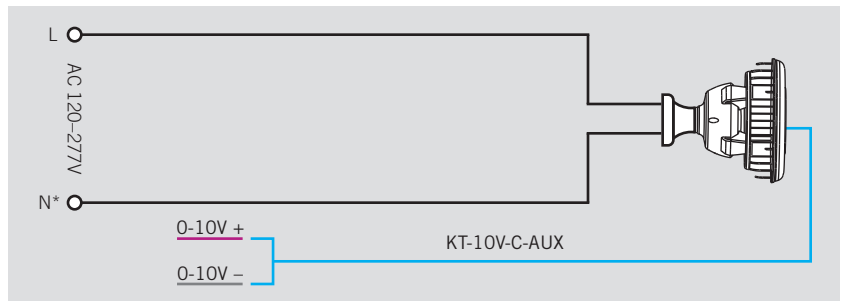
Install new LED replacement lamp. Ensure lamp is operating properly when power is turned on.



\*or other line for certain three phase systems such as 120/208 three phase wye systems

#### STEP 4: OPTIONAL

Connect 0-10V dimming signal to the lamp via the smartport receptacle on the top of the lamp and with wiring accessory KT-10V-C-AUX (sold separately.)

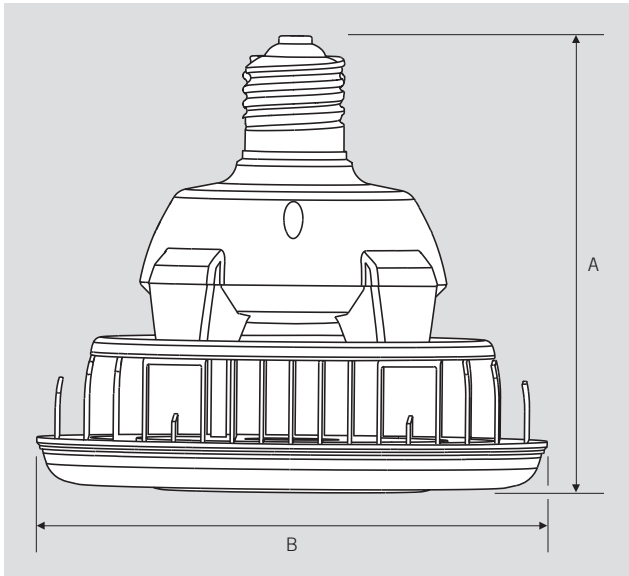




# KT-LED60HID-V-EX39-830-D

## HID REPLACEMENT LED LAMP

### PHYSICAL CHARACTERISTICS



#### LAMP DIMENSIONS

A (Body Length)	6.61"
B (Diameter)	6.88"

BASE TYPE: EX39 (Mogul)

### ACCESSORIES (SOLD SEPARATELY)

Catalog Number	Description
KTS-MW1-12V-AUX	SmartPort LED Microwave Occupancy sensor: On/Off with adjustable standby dimming level; 12V input
KTS-PIR1-12V-AUX	SmartPort LED PIR Occupancy sensor: On/Off with adjustable standby dimming level; 12V input
KTS-PS1-12V-AUX	SmartPort LED Photocell: On/Off with adjustable daylight threshold and timing; 12V input

### ORDERING INFORMATION

ORDER CODE	PACK QTY.	EASY CODE	UPC
KT-LED60HID-V-EX39-830-D-DP	4	TBD	TBD

### CATALOG NUMBER BREAKDOWN

# KT-LED60HID-V-EX39-830-D

1 2 3 4 5 6 7 8 9

- 1 Keystone Technologies
- 2 LED Lamp
- 3 Wattage
- 4 Lamp Type
- 5 Vertical Orientation
- 6 Base Type
- 7 800 Series
- 8 Color Temperature
- 9 Direct-Drive Series