



ESSENTIAL SERIES

GENERAL PURPOSE LED BULBS

KT-LED7.5MR16-S-9XX

REPLACEMENT LAMP

DESCRIPTION

7.5W MR16 Lamp | 2700–5000K | >90 CRI | Spot Light



LAMP TYPE: MR16
BASE TYPE: GU5.3
WATTAGE: 7.5W
COLOR TEMPERATURE: 2700–5000K
COLOR RENDERING INDEX (CRI): >90
WARRANTY: 3 Years
RATED LIFE: L70 (25,000 Hours)



TYPICAL APPLICATIONS

- Track-lighting
- Display
- Under-cabinet
- Outdoor landscaping (with suitable protection from the elements)

PRODUCT FEATURES

- Energy efficient, 80%+ energy savings over legacy equivalents
- Lower heat generation than legacy equivalents
- Smooth, uniform dimming
- Precision-crafted, full-face optics for precise beam angle control
- Durable plastic housing lowers the risk of breakage
- HiCRI LEDs offer enhanced color rendering vs. 80 CRI LEDs, providing ideal clarity, representation, uniformity of illuminated area/objects
- Long life minimizes replacement and maintenance costs
- Compatible with Keystone low voltage transformers
- Suitable for damp locations
- Operating temperature range: –4°F/–20°C to 95°F/35°C
- PF >0.90
- Rated for open and recessed fixtures
- ANSI compliant construction ensures fitment for intended applications
- UL Listed
- Meets Energy Star requirements
- Complies with Part 15 of FCC
- Title 20 compliant

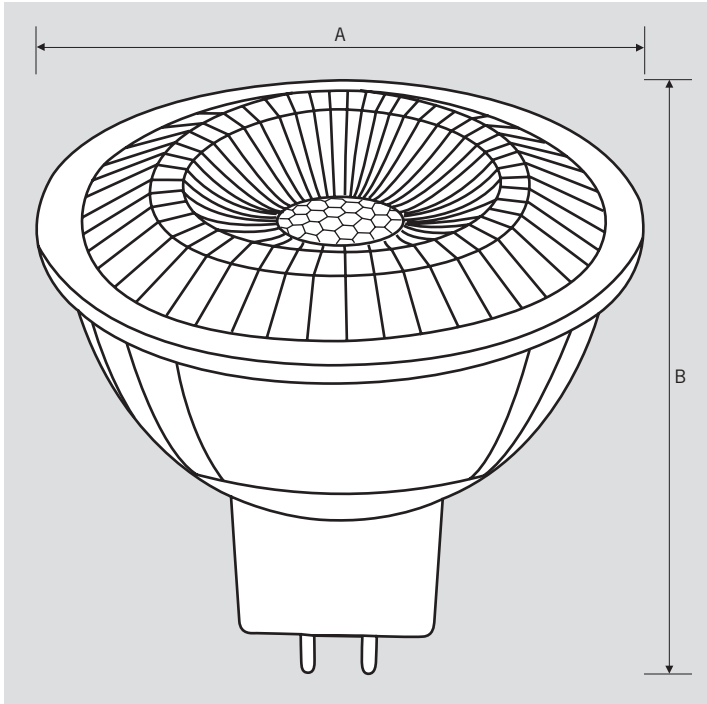
ELECTRICAL AND PERFORMANCE SPECIFICATIONS

Keystone Catalog Number	Description	Color Temp	Input Voltage	Rated Lamp Wattage	Legacy Equivalent Wattage	Lumens	Efficacy	CRI	Base Type	Beam Angle	Dimmable
KT-LED7.5MR16-S-927	MR16 bulb; Spot light; Dimmable	2700K	12V	7.5W	75W halogen	570 lm	76 lm/W	>90	GU5.3	35°	Yes
KT-LED7.5MR16-S-930	MR16 bulb; Spot light; Dimmable	3000K	12V	7.5W	75W halogen	570 lm	76 lm/W	>90	GU5.3	35°	Yes
KT-LED7.5MR16-S-940	MR16 bulb; Spot light; Dimmable	4000K	12V	7.5W	75W halogen	570 lm	76 lm/W	>90	GU5.3	35°	Yes
KT-LED7.5MR16-S-950	MR16 bulb; Spot light; Dimmable	5000K	12V	7.5W	75W halogen	570 lm	76 lm/W	>90	GU5.3	35°	Yes

KT-LED7.5MR16-S-9XX

REPLACEMENT LAMP

PHYSICAL CHARACTERISTICS



LAMP DIMENSIONS

A (Diameter)	1.97"
B (Length)	1.91"

BASE TYPE: GU5.3

RATED LIFE

L70 (Hours)	25,000
-------------	--------

PACKAGING

Carton Quantity	60 pcs
Carton Dimensions	12.95" × 10.91" × 6.54"
Carton Weight	9.5 lbs

ORDERING INFORMATION

ORDER CODE	CARTON QUANTITY	ITEM STATUS	EASY CODE	UPC
KT-LED7.5MR16-S-927	60 pcs	Active	WFT-53	843654126197
KT-LED7.5MR16-S-930	60 pcs	Active	JZK-82	843654126203
KT-LED7.5MR16-S-940	60 pcs	Active	ZDW-06	843654126210
KT-LED7.5MR16-S-950	60 pcs	Active	AZQ-99	843654126227

CATALOG NUMBER BREAKDOWN

KT-LED7.5MR16-S-9XX

1 2 3 4 5 6 7

- 1 Keystone Technologies
- 2 LED Lamp
- 3 Wattage
- 4 Lamp Shape
- 5 Spot Light
- 6 900 Series
- 7 Color Temperature