



# ESSENTIAL SERIES

## GENERAL PURPOSE LED BULBS

### KT-LED7.5R20-9XX

#### REPLACEMENT LAMP

#### DESCRIPTION

7.5W R20 Lamp | 2700–5000K | >90 CRI | Standard Flood



Enclosed  
Fixture Rated



RoHS  
Compliant

3 YEAR  
WARRANTY



**LAMP TYPE:** R20

**BASE TYPE:** E26 (Medium)

**WATTAGE:** 7.5W

**COLOR TEMPERATURE:** 2700–5000K

**COLOR RENDERING INDEX (CRI):** >90

**WARRANTY:** 3 Years

**RATED LIFE:** L70 (15,000 Hours)

#### TYPICAL APPLICATIONS

- Recessed Downlights
- Track Lighting
- Surface Mount Ceiling Fixtures

#### PRODUCT FEATURES

- Energy Efficient, 80%+ Energy Savings over Legacy Equivalents
- Lower Heat Generation than Legacy Equivalents
- PF >0.90
- Complies with Part 15 of FCC
- Smooth diffused lens for comfortable glare free performance
- HiCRI LED's offer enhanced color rendering vs 80 CRI LED's, providing ideal clarity, representation, and uniformity of illuminated area/objects
- Rated for use in damp and wet locations
- Operating temperature range –13°F/–25°C to 104°F/40°C
- Long Life minimizes replacement and maintenance costs
- ANSI compliant construction ensures fitment for intended applications
- Meets Energy Star requirements
- UL Listed
- Smooth, uniform dimming
- Durable Plastic housing lowers the risk for breakage

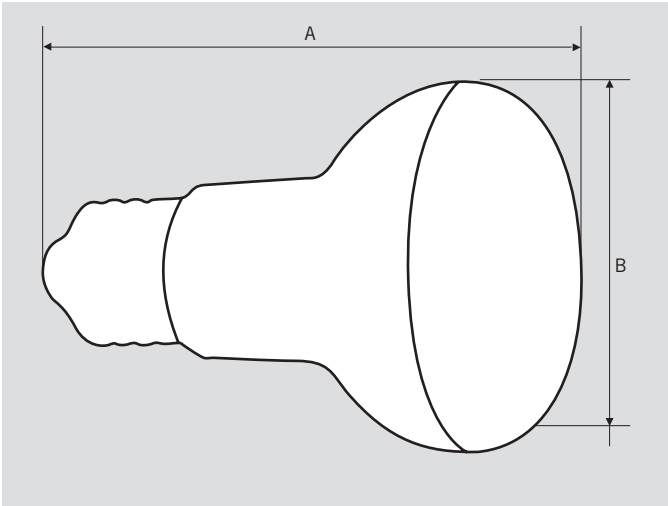
#### ELECTRICAL AND PERFORMANCE SPECIFICATIONS

Keystone Catalog Number	Description	Color Temp	Input Voltage	Rated Lamp Wattage	Legacy Equivalent Wattage	Base Type	Lumens	CRI	Light Distribution	Dimmable	Efficacy
KT-LED7.5R20-927	R20 bulb. Standard flood, dimmable	2700K	120V	7.5W	50W halogen	E26	525	>90	110°	Yes	70 lm/W
KT-LED7.5R20-930	R20 bulb. Standard flood, dimmable	3000K	120V	7.5W	50W halogen	E26	525	>90	110°	Yes	70 lm/W
KT-LED7.5R20-940	R20 bulb. Standard flood, dimmable	4000K	120V	7.5W	50W halogen	E26	525	>90	110°	Yes	70 lm/W
KT-LED7.5R20-950	R20 bulb. Standard flood, dimmable	5000K	120V	7.5W	50W halogen	E26	525	>90	110°	Yes	70 lm/W

## KT-LED7.5R20-9XX

REPLACEMENT LAMP

### PHYSICAL CHARACTERISTICS



### PACKAGING

Carton Quantity	60 pcs
Carton Dimensions	8.54" × 13.46" × 16.50"
Carton Weight	7.9 lbs

### LAMP DIMENSIONS

A (Length)	3.75"
B (Diameter)	2.48"

BASE TYPE: E26 (Medium)

### ORDERING INFORMATION

ORDER CODE	CARTON QUANTITY	ENERGY STAR UNIQUE ID	EASY CODE	UPC
KT-LED7.5R20-927	60 pcs	2350489	MBU-07	843654126036
KT-LED7.5R20-930	60 pcs	2350490	FDM-82	843654126043
KT-LED7.5R20-940	60 pcs	2350491	MAX-83	843654126050
KT-LED7.5R20-950	60 pcs	2350492	SHP-50	843654126067

### CATALOG NUMBER BREAKDOWN

## KT-LED7.5R20-9XX

1 2 3 4 5 6

- 1 Keystone Technologies
- 2 LED Lamp
- 3 Wattage
- 4 Lamp Shape
- 5 900 Series
- 6 Color Temperature