



# ESSENTIAL SERIES

GENERAL PURPOSE LED BULBS

## KT-LED9.5PAR30S-F-9XX REPLACEMENT LAMP

### DESCRIPTION

9.5W PAR30 Lamp | 2700–5000K |  
>90 CRI | Standard Short Neck Flood



<b>LAMP TYPE:</b> PAR30
<b>BASE TYPE:</b> E26 (Medium)
<b>WATTAGE:</b> 9.5W
<b>COLOR TEMPERATURE:</b> 2700–5000K
<b>COLOR RENDERING INDEX (CRI):</b> >90
<b>WARRANTY:</b> 3 Years
<b>RATED LIFE:</b> L70 (25,000 Hours)



### TYPICAL APPLICATIONS

- Track Lighting
- Display
- Flood and SpotLighting
- Outdoor fixtures (with suitable protection from the elements)

### PRODUCT FEATURES

- Energy efficient, 80%+ energy savings over legacy equivalents
- Lower heat generation than legacy equivalents
- HiCRI LED's offer enhanced color rendering vs 80 CRI LED's, providing ideal clarity, representation, and uniformity of illuminated area/objects
- PF >0.90
- Complies with Part 15 of FCC
- Title 24 JA8 compliant (excluding 4000K and 5000K lamps)
- Title 20 Compliant
- Operating temperature range –4°F/–20°C to 113°F/45°C
- Long Life minimizes replacement and maintenance costs
- ANSI compliant construction ensures fitment for intended applications
- Meets Energy Star requirements
- UL Listed
- Rated for use in damp and wet location
- Smooth, uniform dimming
- Precision crafted full face optics for precise beam angle control
- Durable Plastic housing lowers the risk for breakage
- Suitable for use in open, enclosed, and recessed fixtures

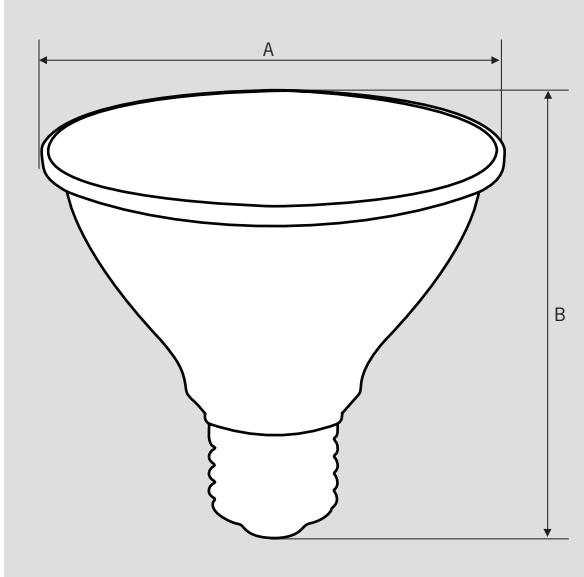
### ELECTRICAL AND PERFORMANCE SPECIFICATIONS

Keystone Catalog Number	Description	Color Temp	Input Voltage	Rated Lamp Wattage	Legacy Equivalent Wattage	Base Type	Lumens	Energy Star CBCP	CRI	Light Distribution	Dimmable	Efficacy
KT-LED9.5PAR30S-F-927	PAR30 bulb. Standard short neck flood, dimmable	2700K	120V	9.5W	75W halogen	E26	800	1648	>90	40°	Yes	84 lm/W
KT-LED9.5PAR30S-F-930	PAR30 bulb. Standard short neck flood, dimmable	3000K	120V	9.5W	75W halogen	E26	800	1667	>90	40°	Yes	84 lm/W
KT-LED9.5PAR30S-F-940	PAR30 bulb. Standard short neck flood, dimmable	4000K	120V	9.5W	75W halogen	E26	850	1892	>90	40°	Yes	90 lm/W
KT-LED9.5PAR30S-F-950	PAR30 bulb. Standard short neck flood, dimmable	5000K	120V	9.5W	75W halogen	E26	850	1846	>90	40°	Yes	90 lm/W

## KT-LED9.5PAR30S-F-9XX

### REPLACEMENT LAMP

#### PHYSICAL CHARACTERISTICS



#### LAMP DIMENSIONS

A (Diameter)	3.78"
B (Length)	3.43"

BASE TYPE: E26 (Medium)

#### PACKAGING

Carton Quantity	24 pcs
Carton Dimensions	17.13" × 12.80" × 9.65"
Carton Weight	12.4 lbs

#### ORDERING INFORMATION

ORDER CODE	CARTON QUANTITY	ENERGY STAR UNIQUE ID	EASY CODE	UPC
KT-LED9.5PAR30S-F-927	24 pcs	2348810	HPW-31	843654124063
KT-LED9.5PAR30S-F-930	24 pcs	2348811	IDP-31	843654124070
KT-LED9.5PAR30S-F-940	24 pcs	2348812	BGC-04	843654124087
KT-LED9.5PAR30S-F-950	24 pcs	2348813	OLV-45	843654124094

#### CATALOG NUMBER BREAKDOWN

## KT-LED9.5PAR30S-F-9XX

1 2 3 4 5 6 7 8

- 1 Keystone Technologies
- 2 LED Lamp
- 3 Wattage
- 4 Lamp Shape
- 5 Short Neck
- 6 Standard Flood
- 7 900 Series
- 8 Color Temperature