

KT-RHLED-SM-X-KIT /G2
STEEL SURFACE MOUNT KIT

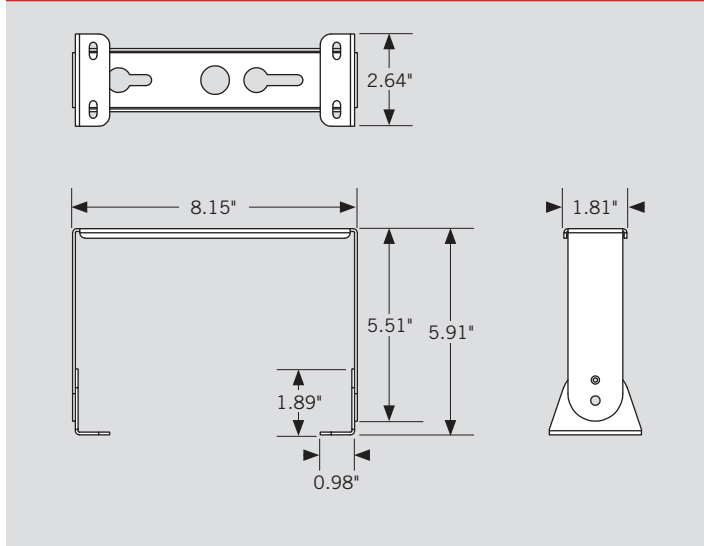
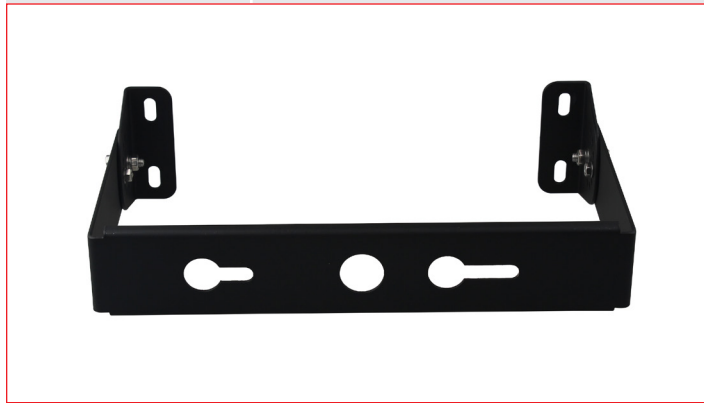
DESCRIPTION

Steel Surface-Mount Kit for Round LED High Bay Fixtures | Includes Mounting Hardware

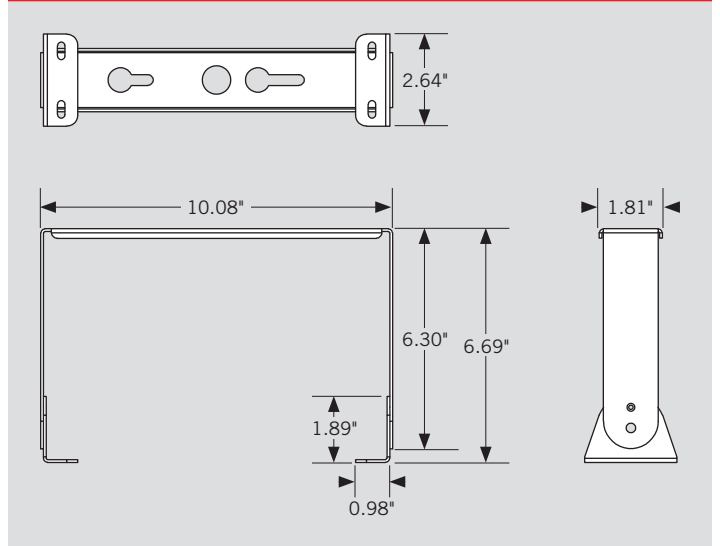
5YEAR
WARRANTY

SPECIFICATIONS

Catalog Number	Description
KT-RHLED-SM-1-KIT /G2	Steel Surface-Mount Kit for 100W-150W, 12" Round LED High Bay Fixtures; Includes Mounting Hardware



Catalog Number	Description
KT-RHLED-SM-2-KIT /G2	Steel Surface-Mount Kit for 200W, 14" Round LED High Bay Fixtures; Includes Mounting Hardware





KT-RHLED-SM-X-KIT /G2

STEEL SURFACE MOUNT KIT

ORDERING INFORMATION

ORDER CODE	PACK QTY.	UPC	Easy Code
KT-RHLED-SM-1-KIT /G2	1	843654133249	JXD-63
KT-RHLED-SM-2-KIT /G2	1	843654133256	BLT-11

CATALOG NUMBER BREAKDOWN

KT-RHLED-SM-X-KIT /G2

- 1
- 2
- 3
- 4
- 5
- 6
- 7

- 1** Keystone Technologies
- 2** Round High Bay
- 3** LED Technology
- 4** Surface Mount
- 5** Fixture Compatibility
- 6** Kit
- 7** Second Generation

5 Fixture Compatibility

1	100W-150W, 12" Round LED High Bay Fixtures
2	200W, 14" Round LED High Bay Fixtures