



# KT-RHLED100-12C-8XX-VDIM-P /G2

## ROUND LED HIGH BAY FIXTURE

### DESCRIPTION

Compact Round LED High Bay Fixture | Wet Location Rated

### APPLICATION

Used for commercial and industrial high bay lighting applications



### PRODUCT FEATURES

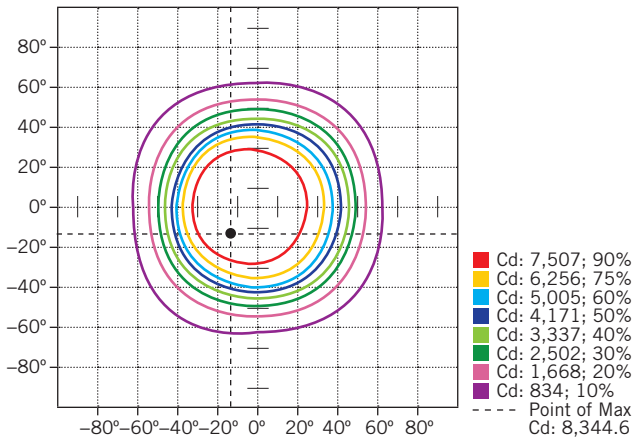
- Designed to accept easy screw-in installation of optional sensors
- Powered by Keystone 0–10V dimming LED driver
- Ring-bolt mounting accessory included
- 6' cord for input and dimming wires
- Powder-coated aluminum housing; Polycarbonate lens
- Ribbed lens to reduce glare
- Low optical flicker
- Built-in 6kV surge protection
- LED lifetime: L70 >100,000 hours @ 25°C fixture ambient
- Ambient operating temperature: -40°C/-40°F to 50°C/122°F
- IP65 rated, wet location
- Listed on QPL DLC, Premium

### PERFORMANCE SPECIFICATIONS

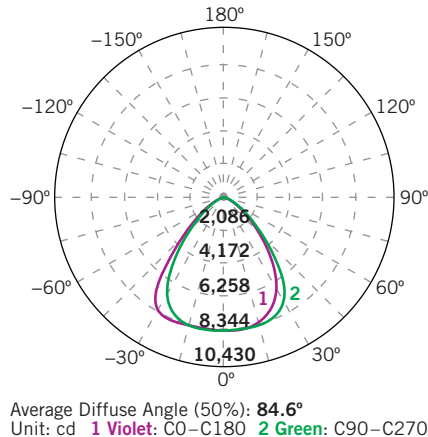
Catalog Number	Input Voltage	Wattage	Color Temperature	Lumen Output	Efficacy	Rated Life	CRI	Power Factor
KT-RHLED100-12C-840-VDIM-P /G2	120–277V	100W	4000K	15,700 lm	157 lm/W	50,000 hrs	>80	>0.9
KT-RHLED100-12C-850-VDIM-P /G2			5000K	15,900 lm	159 lm/W			

### PHOTOMETRIC SPECIFICATIONS

#### ISOCANDELA PLOT



#### POLAR CANDELA DISTRIBUTION

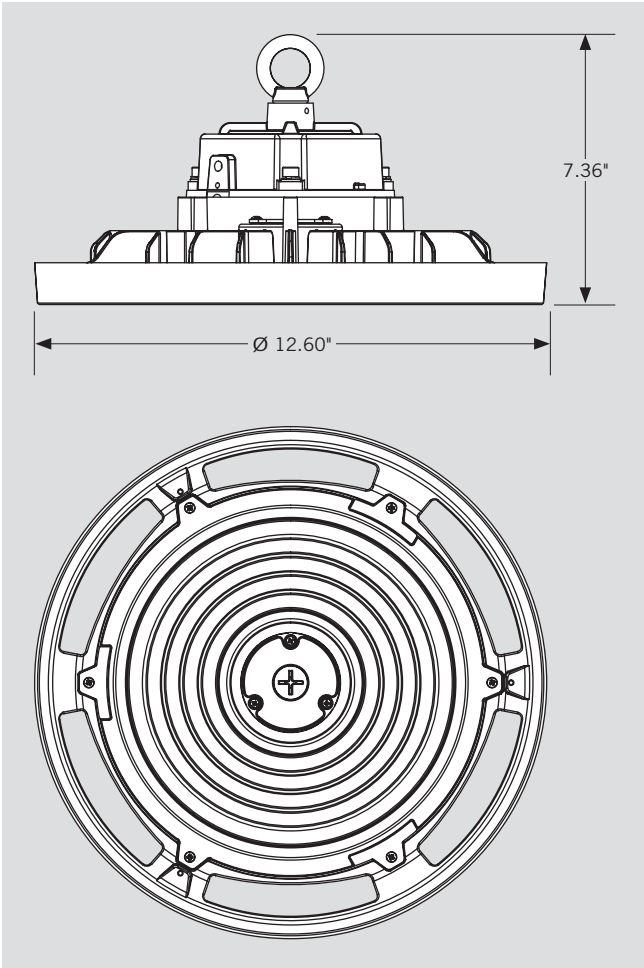


#### ZONAL LUMEN SUMMARY

Zone	Lumens	% Luminaire
0–30	6,713.2	42.5%
0–40	10,609.4	67.2%
0–60	14,760.4	93.5%
60–90	1,004.4	6.4%
70–100	320.4	2.0%
90–120	0.5	0%
0–90	15,764.8	99.8%
90–180	28.7	0.2%
0–180	15,793.5	100%

**KT-RHLED100-12C-8XX-VDIM-P /G2**  
ROUND LED HIGH BAY FIXTURE

**PHYSICAL SPECIFICATIONS**



**KT-RHLED100-12C-8XX-VDIM-P /G2**  
ROUND LED HIGH BAY FIXTURE

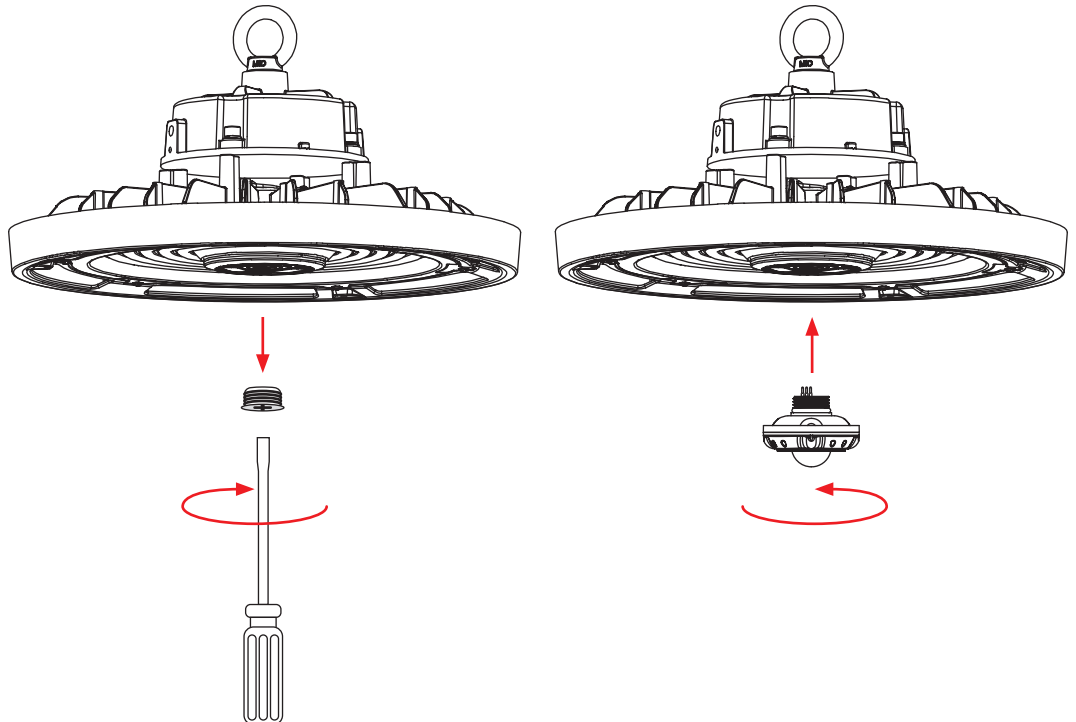
**QUICK-INSTALL ACCESSORIES (SOLD SEPARATELY)**

Accessory	Catalog Number	Description	UPC	Easy Code
Microwave Occupancy Sensor	KTS-MW3-12V-PKO /A	Microwave occupancy sensor; Preset for 1 min hold time, 3 min standby time at 30% dim, daylight disabled	843654133317	XYR-25
	KTS-MW3-12V-PKO /B	Microwave occupancy sensor; Preset for 5 min hold time, 10 min standby time at 10% dim, daylight disabled	843654133324	SPF-37
Passive Infrared (PIR) Occupancy Sensor	KTS-PIR3-12V-PKO /A	PIR occupancy sensor; Preset for 1 min hold time, 3 min standby time at 30% dim, daylight disabled	843654133638	RXQ-30
	KTS-PIR3-12V-PKO /B	PIR occupancy sensor; Preset for 5 min hold time, 10 min standby time at 10% dim, daylight disabled	843654133645	LEF-34



**QUICK-INSTALL**

1. Ensure power is off to the fixture.
2. Remove 1/2" knock-out (KO) plug.
3. Screw in sensor head. (see illustrations)
4. Re-connect power when ready.
5. Program desired settings as needed with Keystone Remote Control.





# KT-RHLED100-12C-8XX-VDIM-P /G2

## ROUND LED HIGH BAY FIXTURE

**ACCESSORIES (SOLD SEPARATELY)**

Catalog Number	Description	UPC	Easy Code
KT-RHLED-SM-1-KIT /G2	Steel surface mount kit; Includes mounting hardware	843654133249	JXD-63
KT-RHLED-WG-1-KIT /G2	Thick steel wire guard; Premium powdercoat construction; Includes mounting hardware	843654133263	NPV-09
KT-RHLED-AR90-1-KIT /G2	Aluminum dome reflector; 90° beam angle; Includes mounting hardware	843654133287	ZOV-89
KT-RHLED-CL90-1-KIT /G2	Clear polycarbonate dome reflector with bottom lens; 90° beam angle; Includes mounting hardware	843654133614	FVZ-16
KT-RHLED-JBOX-PM /G2	J-Box; Optimized for pole pendant and step-down transformer applications	843654133300	RAQ-94
KTS-MW3-12V-PKO /A	High Bay microwave occupancy sensor with /A pre-set settings	843654133317	XYR-25
KTS-MW3-12V-PKO /B	High Bay microwave occupancy sensor with /B pre-set settings	843654133324	SPF-37
KTS-PIR3-12V-PKO /A	High Bay PIR occupancy sensor with /A pre-set settings	843654133638	RXQ-30
KTS-PIR3-12V-PKO /B	High Bay PIR occupancy sensor with /B pre-set settings	843654133645	LEF-34
KTS-MW3-REMOTECONTROL	Remote Control for KTS-MW3-12V-X and KTS-PIR3-12V-X Sensors; Used to set/adjust all sensor settings	843654132020	XSR-61

**ORDERING INFORMATION**

ORDER CODE	PACK QTY.	UPC	Easy Code
KT-RHLED100-12C-840-VDIM-P /G2	1	843654133188	EAQ-51
KT-RHLED100-12C-850-VDIM-P /G2	1	843654133195	TFB-48

**CATALOG NUMBER BREAKDOWN**

# KT-RHLED100-12C-8XX-VDIM-P /G2

<b>1</b>	<b>2</b>	<b>3</b>	<b>4</b>	<b>5</b>	<b>6</b>	<b>7</b>	<b>8</b>	<b>9</b>	<b>10</b>
<b>1</b> Keystone Technologies	<b>2</b> Fixture Type	<b>3</b> LED Technology	<b>4</b> Wattage	<b>5</b> Size/Shape	<b>6</b> 800 Series	<b>7</b> Color Temperature	<b>8</b> Dimming	<b>9</b> Premium Series	<b>10</b> Generation 2
	RH    Round High Bay			12C    12" Diameter		40    4000K 50    5000K	VDIM    0-10V		