



KT-RHLED150-12C-8XX-VDIM-P /G2

ROUND LED HIGH BAY FIXTURE

DESCRIPTION

Compact Round LED High Bay Fixture | Wet Location Rated

APPLICATION

Used for commercial and industrial high bay lighting applications



PRODUCT FEATURES

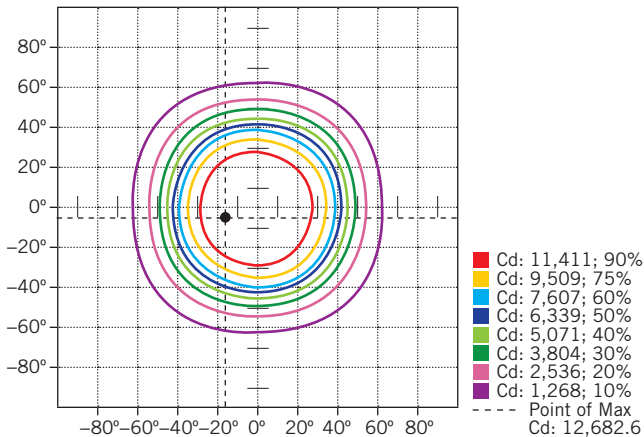
- Designed to accept easy screw-in installation of optional sensors
- Powered by Keystone 0–10V dimming LED driver
- Ring-bolt mounting accessory included
- 6' cord for input and dimming wires
- Powder-coated aluminum housing; Polycarbonate lens
- Ribbed lens to reduce glare
- Low optical flicker
- Built-in 6kV surge protection
- LED lifetime: L70 >100,000 hours @ 25°C fixture ambient
- Ambient operating temperature: -40°C/-40°F to 50°C/122°F
- IP65 rated, wet location
- Listed on QPL DLC, Premium

PERFORMANCE SPECIFICATIONS

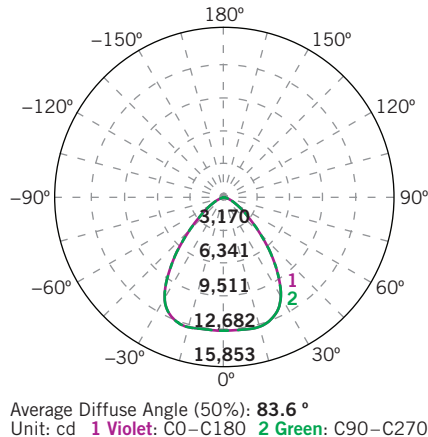
Catalog Number	Input Voltage	Wattage	Color Temperature	Lumen Output	Efficacy	Rated Life	CRI	Power Factor
KT-RHLED150-12C-840-VDIM-P /G2	120–277V	150W	4000K	23,400 lm	156 lm/W	50,000 hrs	>80	>0.9
KT-RHLED150-12C-850-VDIM-P /G2			5000K	23,600 lm	157 lm/W			

PHOTOMETRIC SPECIFICATIONS

ISOCANDELA PLOT



POLAR CANDELA DISTRIBUTION



ZONAL LUMEN SUMMARY

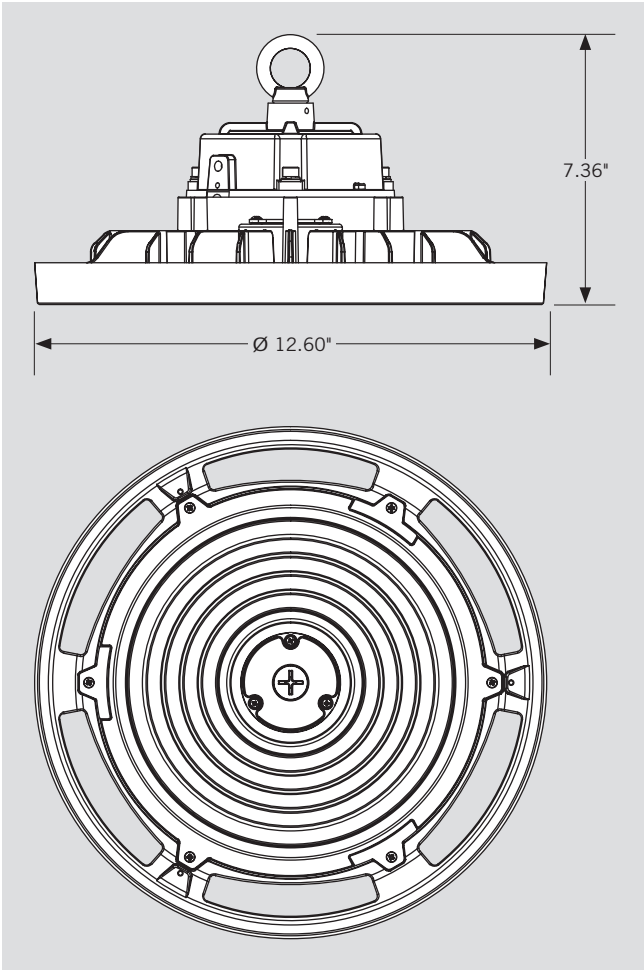
Zone	Lumens	% Luminaire
0–30	10,271.9	43.4%
0–40	16,033.4	67.8%
0–60	22,131.7	93.6%
60–90	1,480.7	6.3%
70–100	469.1	2.0%
90–120	0	0%
0–90	23,612.4	99.9%
90–180	30.1	0.1%
0–180	23,642.5	100%



KT-RHLED150-12C-8XX-VDIM-P /G2

ROUND LED HIGH BAY FIXTURE

PHYSICAL SPECIFICATIONS



KT-RHLED150-12C-8XX-VDIM-P /G2
ROUND LED HIGH BAY FIXTURE

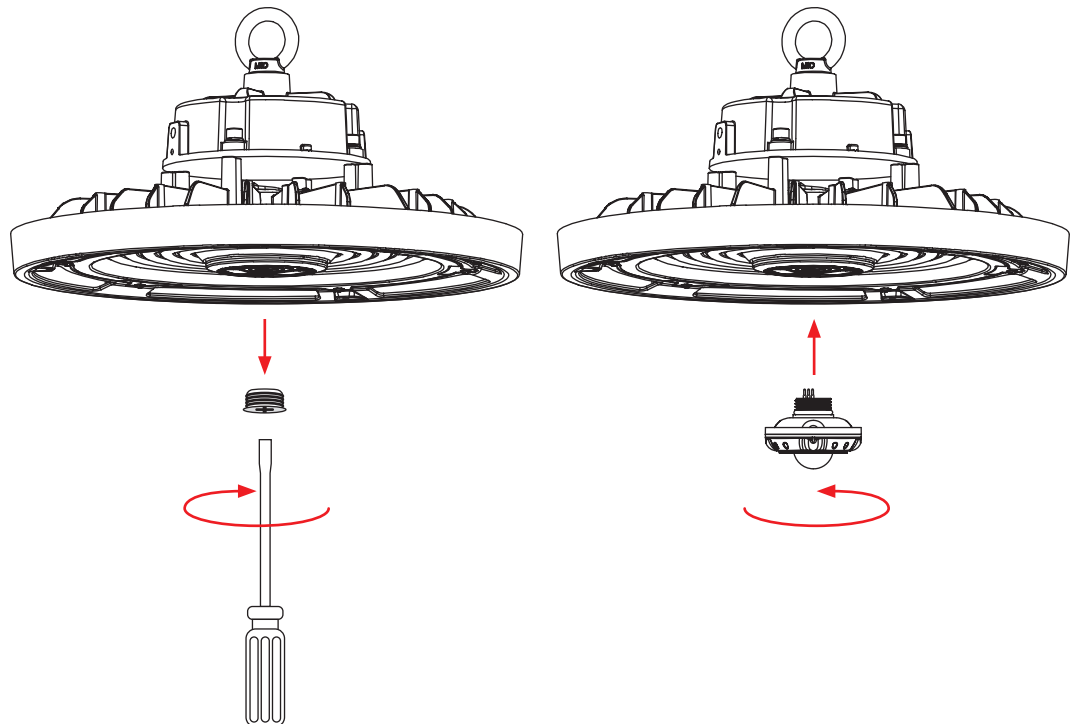
QUICK-INSTALL ACCESSORIES (SOLD SEPARATELY)

Accessory	Catalog Number	Description	UPC	Easy Code
Microwave Occupancy Sensor	KTS-MW3-12V-PKO /A	Microwave occupancy sensor; Preset for 1 min hold time, 3 min standby time at 30% dim, daylight disabled	843654133317	XYR-25
	KTS-MW3-12V-PKO /B	Microwave occupancy sensor; Preset for 5 min hold time, 10 min standby time at 10% dim, daylight disabled	843654133324	SPF-37
Passive Infrared (PIR) Occupancy Sensor	KTS-PIR3-12V-PKO /A	PIR occupancy sensor; Preset for 1 min hold time, 3 min standby time at 30% dim, daylight disabled	843654133638	RXQ-30
	KTS-PIR3-12V-PKO /B	PIR occupancy sensor; Preset for 5 min hold time, 10 min standby time at 10% dim, daylight disabled	843654133645	LEF-34



QUICK-INSTALL

1. Ensure power is off to the fixture.
2. Remove 1/2" knock-out (KO) plug.
3. Screw in sensor head. (see illustrations)
4. Re-connect power when ready.
5. Program desired settings as needed with Keystone Remote Control.





KT-RHLED150-12C-8XX-VDIM-P /G2

ROUND LED HIGH BAY FIXTURE

ACCESSORIES (SOLD SEPARATELY)

Catalog Number	Description	UPC	Easy Code
KT-RHLED-SM-1-KIT /G2	Steel surface mount kit; Includes mounting hardware	843654133249	JXD-63
KT-RHLED-WG-1-KIT /G2	Thick steel wire guard; Premium powdercoat construction; Includes mounting hardware	843654133263	NPV-09
KT-RHLED-AR90-1-KIT /G2	Aluminum dome reflector; 90° beam angle; Includes mounting hardware	843654133287	ZOV-89
KT-RHLED-CL90-1-KIT /G2	Clear polycarbonate dome reflector with bottom lens; 90° beam angle; Includes mounting hardware	843654133614	FVZ-16
KT-RHLED-JBOX-PM /G2	J-Box; Optimized for pole pendant and step-down transformer applications	843654133300	RAQ-94
KTS-MW3-12V-PKO /A	High Bay microwave occupancy sensor with /A pre-set settings	843654133317	XYR-25
KTS-MW3-12V-PKO /B	High Bay microwave occupancy sensor with /B pre-set settings	843654133324	SPF-37
KTS-PIR3-12V-PKO /A	High Bay PIR occupancy sensor with /A pre-set settings	843654133638	RXQ-30
KTS-PIR3-12V-PKO /B	High Bay PIR occupancy sensor with /B pre-set settings	843654133645	LEF-34
KTS-MW3-REMOTECONTROL	Remote Control for KTS-MW3-12V-X and KTS-PIR3-12V-X Sensors; Used to set/adjust all sensor settings	843654132020	XSR-61

ORDERING INFORMATION

ORDER CODE	PACK QTY.	UPC	Easy Code
KT-RHLED150-12C-840-VDIM-P /G2	1	843654133201	VDF-80
KT-RHLED150-12C-850-VDIM-P /G2	1	843654133218	THV-98

CATALOG NUMBER BREAKDOWN

KT-RHLED150-12C-8XX-VDIM-P /G2

1	2	3	4	5	6	7	8	9	10
1 Keystone Technologies	2 Fixture Type	3 LED Technology	4 Wattage	5 Size/Shape	6 800 Series	7 Color Temperature	8 Dimming	9 Premium Series	10 Generation 2
	RH Round High Bay			12C 12" Diameter		40 4000K 50 5000K	VDIM 0-10V		