



KT-RHLED200-14C-8XX-VDIM-P /G2

ROUND LED HIGH BAY FIXTURE

DESCRIPTION

Compact Round LED High Bay Fixture | Wet Location Rated

APPLICATION

Used for commercial and industrial high bay lighting applications



PRODUCT FEATURES

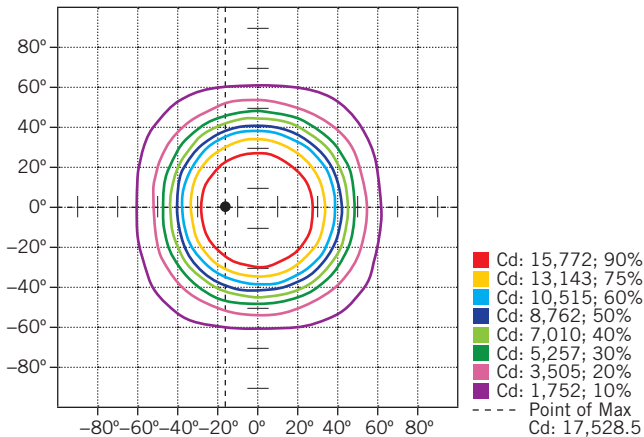
- Designed to accept easy screw-in installation of optional sensors
- Powered by Keystone 0–10V dimming LED driver
- Ring-bolt mounting accessory included
- 6' cord for input and dimming wires
- Powder-coated aluminum housing; Polycarbonate lens
- Ribbed lens to reduce glare
- Low optical flicker
- Built-in 6kV surge protection
- LED lifetime: L70 >100,000 hours @ 25°C fixture ambient
- Ambient operating temperature: -40°C/-40°F to 50°C/122°F
- IP65 rated, wet location
- Listed on QPL DLC, Premium

PERFORMANCE SPECIFICATIONS

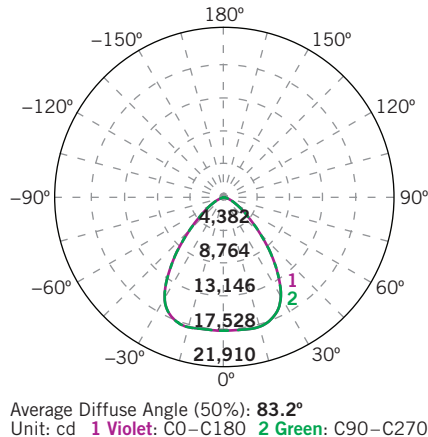
Catalog Number	Input Voltage	Wattage	Color Temperature	Lumen Output	Efficacy	Rated Life	CRI	Power Factor
KT-RHLED200-14C-840-VDIM-P /G2	120–277V	200W	4000K	31,800 lm	159 lm/W	50,000 hrs	>80	>0.9
KT-RHLED200-14C-850-VDIM-P /G2			5000K	32,000 lm	160 lm/W			

PHOTOMETRIC SPECIFICATIONS

ISOCANDELA PLOT



POLAR CANDELA DISTRIBUTION

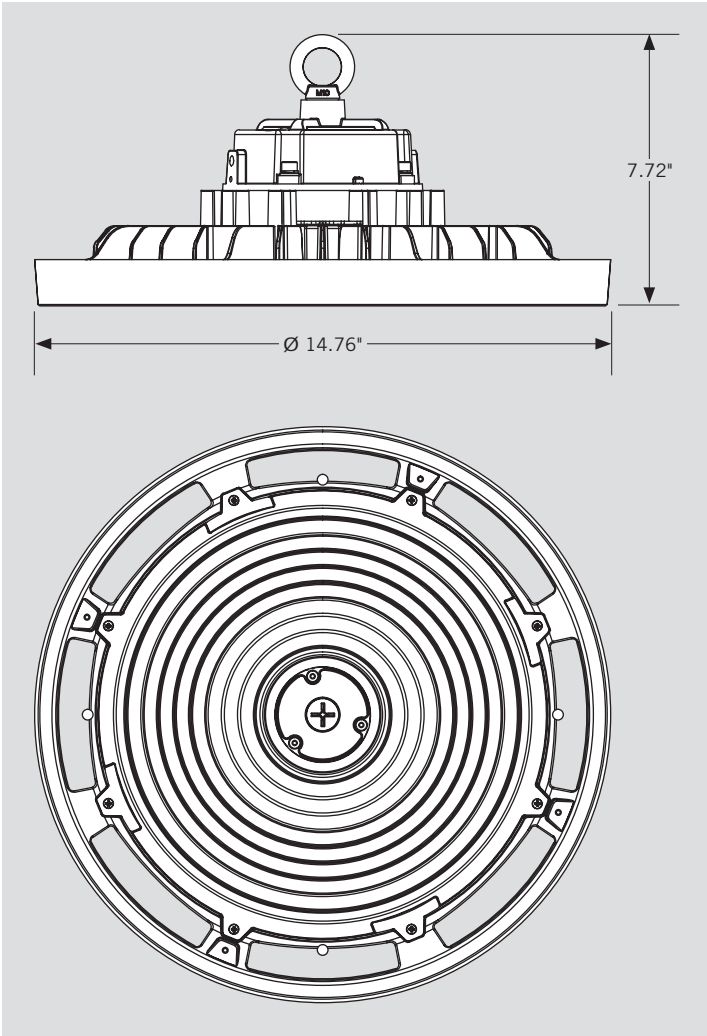


ZONAL LUMEN SUMMARY

Zone	Lumens	% Luminaire
0–30	14,194.6	43.8%
0–40	22,063.3	68.1%
0–60	30,267.8	93.4%
60–90	2,055.6	6.3%
70–100	673.0	2.1%
90–120	11.6	0%
0–90	32,323.5	99.8%
90–180	77.0	0.2%
0–180	32,400.4	100%

KT-RHLED200-14C-8XX-VDIM-P /G2
ROUND LED HIGH BAY FIXTURE

PHYSICAL SPECIFICATIONS



KT-RHLED200-14C-8XX-VDIM-P /G2
ROUND LED HIGH BAY FIXTURE

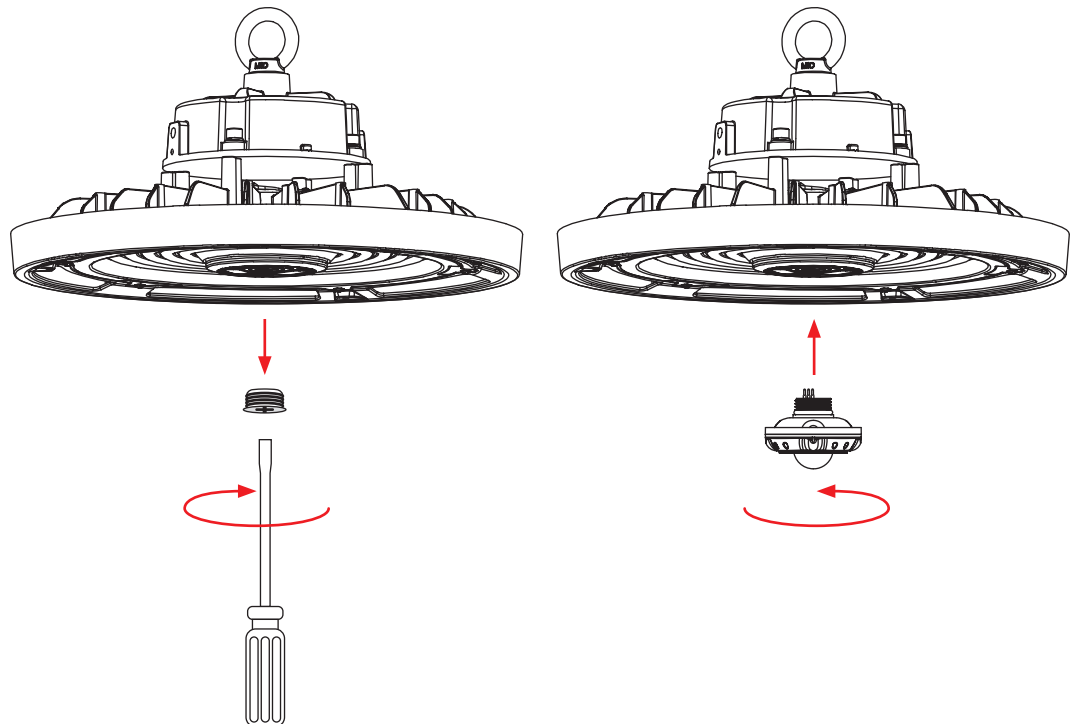
QUICK-INSTALL ACCESSORIES (SOLD SEPARATELY)

Accessory	Catalog Number	Description	UPC	Easy Code
Microwave Occupancy Sensor	KTS-MW3-12V-PKO /A	Microwave occupancy sensor; Preset for 1 min hold time, 3 min standby time at 30% dim, daylight disabled	843654133317	XYR-25
	KTS-MW3-12V-PKO /B	Microwave occupancy sensor; Preset for 5 min hold time, 10 min standby time at 10% dim, daylight disabled	843654133324	SPF-37
Passive Infrared (PIR) Occupancy Sensor	KTS-PIR3-12V-PKO /A	PIR occupancy sensor; Preset for 1 min hold time, 3 min standby time at 30% dim, daylight disabled	843654133638	RXQ-30
	KTS-PIR3-12V-PKO /B	PIR occupancy sensor; Preset for 5 min hold time, 10 min standby time at 10% dim, daylight disabled	843654133645	LEF-34



QUICK-INSTALL

1. Ensure power is off to the fixture.
2. Remove 1/2" knock-out (KO) plug.
3. Screw in sensor head. (see illustrations)
4. Re-connect power when ready.
5. Program desired settings as needed with Keystone Remote Control.





KT-RHLED200-14C-8XX-VDIM-P /G2

ROUND LED HIGH BAY FIXTURE

ACCESSORIES (SOLD SEPARATELY)

Catalog Number	Description	UPC	Easy Code
KT-RHLED-SM-2-KIT /G2	Steel surface mount kit; Includes mounting hardware	843654133256	BLT-11
KT-RHLED-WG-2-KIT /G2	Thick steel wire guard; Premium powdercoat construction; Includes mounting hardware	843654133270	PHU-26
KT-RHLED-AR90-2-KIT /G2	Aluminum dome reflector; 90° beam angle; Includes mounting hardware	843654133294	GBN-40
KT-RHLED-CL90-2-KIT /G2	Clear polycarbonate dome reflector with bottom lens; 90° beam angle; Includes mounting hardware	843654133621	SFZ-16
KT-RHLED-JBOX-PM /G2	J-Box; Optimized for pole pendant and step-down transformer applications	843654133300	RAQ-94
KTS-MW3-12V-PKO /A	High Bay microwave occupancy sensor with /A pre-set settings	843654133317	XYR-25
KTS-MW3-12V-PKO /B	High Bay microwave occupancy sensor with /B pre-set settings	843654133324	SPF-37
KTS-PIR3-12V-PKO /A	High Bay PIR occupancy sensor with /A pre-set settings	843654133638	RXQ-30
KTS-PIR3-12V-PKO /B	High Bay PIR occupancy sensor with /B pre-set settings	843654133645	LEF-34
KTS-MW3-REMOTECONTROL	Remote Control for KTS-MW3-12V-X and KTS-PIR3-12V-X Sensors; Used to set/adjust all sensor settings	843654132020	XSR-61

ORDERING INFORMATION

ORDER CODE	PACK QTY.	UPC	Easy Code
KT-RHLED200-14C-840-VDIM-P /G2	1	843654133225	ESZ-89
KT-RHLED200-14C-850-VDIM-P /G2	1	843654133232	DZY-80

CATALOG NUMBER BREAKDOWN

KT-RHLED200-14C-8XX-VDIM-P /G2

- 1** Keystone Technologies
- 2** Fixture Type

RH	Round High Bay
----	----------------
- 3** LED Technology
- 4** Wattage
- 5** Size/Shape

14C	14" Diameter
-----	--------------
- 6** 800 Series
- 7** Color Temperature

40	4000K
50	5000K
- 8** Dimming

VDIM	0-10V
------	-------
- 9** Premium Series
- 10** Generation 2