

# KT-RHLED200PS-14C-8CSB-VDIM-P-W

## ROUND LED HIGH BAY FIXTURE

### DESCRIPTION

Compact Round LED High Bay Fixture | Wet Location Rated

### APPLICATION

Used for commercial and industrial high bay lighting applications



### PRODUCT FEATURES

- Features Keystone Power Select technology. Adjust power between 200W, 150W, or 100W
- Features Keystone Color Select technology. Adjust CCT between 3000K, 4000K, or 5000K
- Designed to accept easy screw-in installation of optional sensors
- Powered by Keystone 0–10V dimming LED driver
- Ring-bolt mounting accessory included
- 6' cord for input and dimming wires
- Powder-coated aluminum housing; Polycarbonate lens
- Ribbed lens to reduce glare
- Low optical flicker
- Built-in 6kV surge protection
- LED lifetime: L70 >100,000 hours @ 25°C fixture ambient
- Ambient operating temperature: –40°C/–40°F to 50°C/122°F
- IP65 rated, wet location
- Listed on QPL DLC, Premium

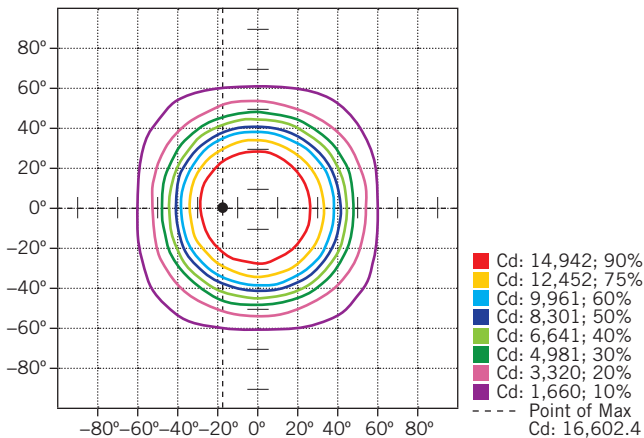
### PERFORMANCE SPECIFICATIONS

Catalog Number	Input Voltage	Wattage	Color Temperature	Lumen Output	Efficacy	Rated Life	CRI	Power Factor
KT-RHLED200PS-14C-8CSB-VDIM-P-W	120–277V	200W	3000K	30,135 lm	151 lm/W	50,000 hrs	> 80	> 0.9
			4000K	32,292 lm	161 lm/W			
			5000K	31,511 lm	158 lm/W			
		150W	3000K	21,450 lm	143 lm/W			
			4000K	24,750 lm	165 lm/W			
			5000K	24,150 lm	161 lm/W			
		100W	3000K	14,800 lm	148 lm/W			
			4000K	16,500 lm	165 lm/W			
			5000K	16,300 lm	163 lm/W			

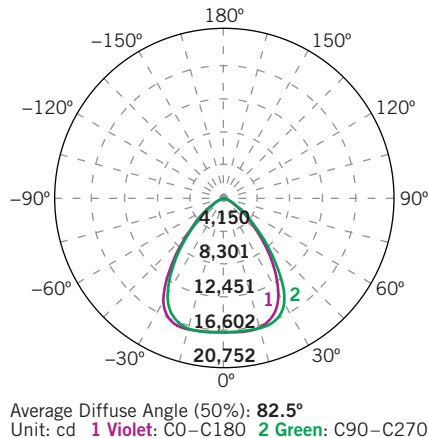
Note: Preset to highest lumen output (200W/5000K)  
 Note: Color uniformity: CCT (Correlated Color Temperature) range as per guidelines outlined in ANSI C78.377-2017

### PHOTOMETRIC SPECIFICATIONS

#### ISOCANDELA PLOT

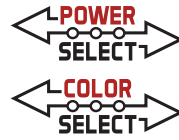


#### POLAR CANDELA DISTRIBUTION



#### ZONAL LUMEN SUMMARY

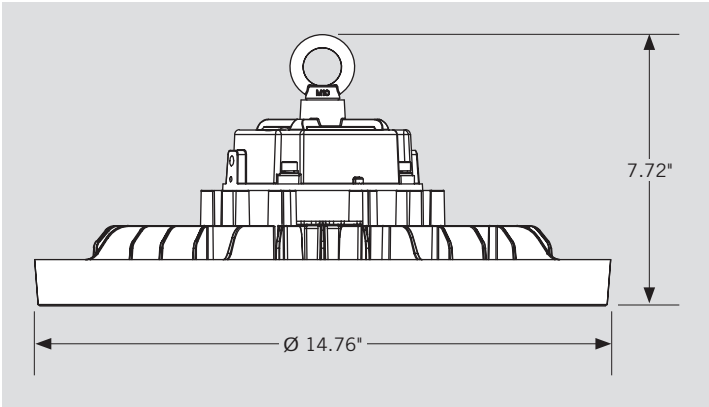
Zone	Lumens	% Luminaire
0–30	13,328.7	44.2%
0–40	20,615.9	68.4%
0–60	28,188.7	93.6%
60–90	1,897.0	6.3%
70–100	612.8	2.0%
90–120	0.2	0%
0–90	30,085.7	99.8%
90–180	45.2	0.2%
0–180	30,130.9	100%



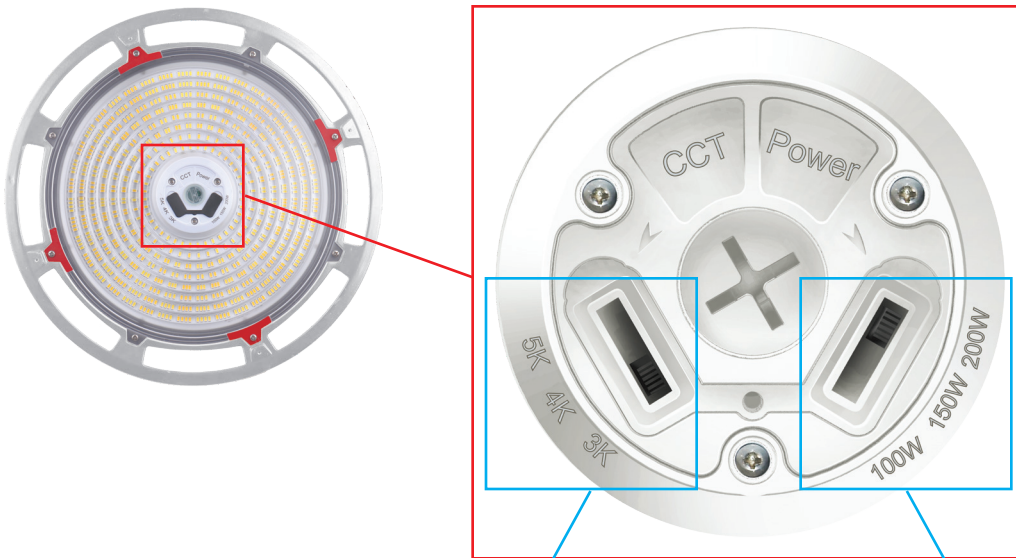
# KT-RHLED200PS-14C-8CSB-VDIM-P-W

## ROUND LED HIGH BAY FIXTURE

### PHYSICAL SPECIFICATIONS

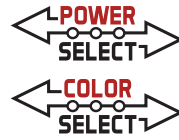


### POWER SELECTION AND COLOR TEMPERATURE SELECTION CAPABILITY



**KEYSTONE COLOR SELECT TECHNOLOGY**  
Adjust CCT between 3000K, 4000K, or 5000K

**KEYSTONE POWER SELECT TECHNOLOGY**  
Adjust power between 200W, 150W, or 100W



# KT-RHLED200PS-14C-8CSB-VDIM-P-W

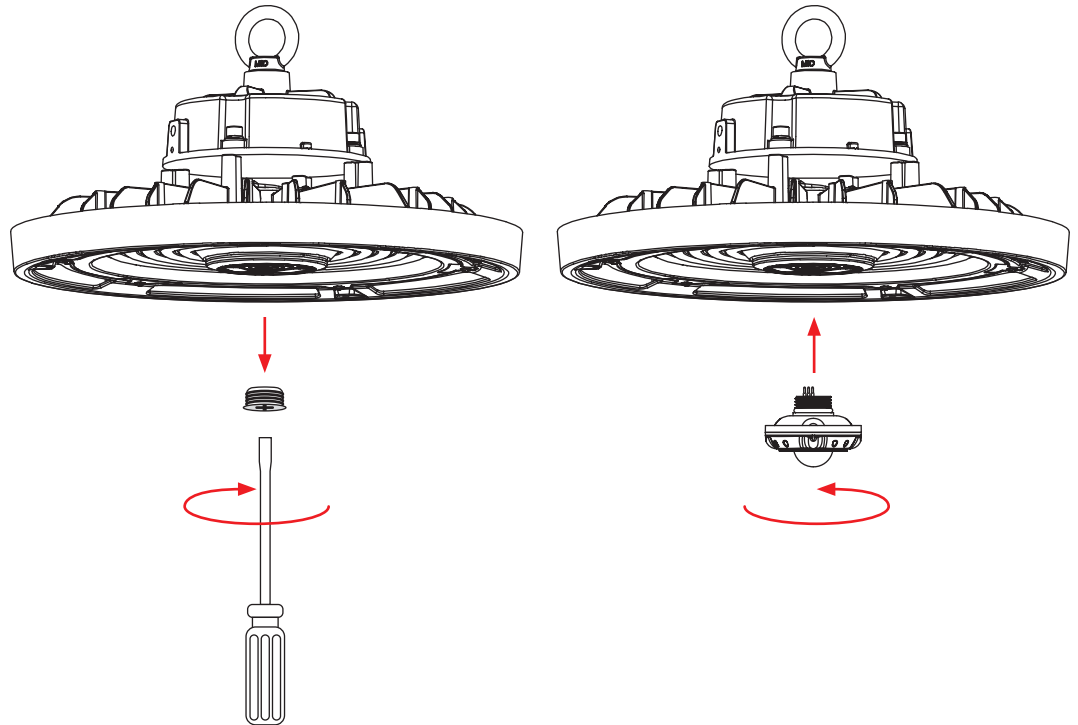
## ROUND LED HIGH BAY FIXTURE

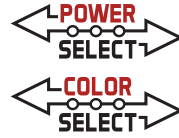
### QUICK-INSTALL ACCESSORIES (SOLD SEPARATELY)

Accessory	Catalog Number	Description	UPC	Easy Code	
Microwave Occupancy Sensor	KTS-MW3-12V-PKO /A	Microwave occupancy sensor; Preset for 1 min hold time, 3 min standby time at 30% dim, daylight disabled	843654133317	XYR-25	
	KTS-MW3-12V-PKO /B	Microwave occupancy sensor; Preset for 5 min hold time, 10 min standby time at 10% dim, daylight disabled	843654133324	SPF-37	
Passive Infrared (PIR) Occupancy Sensor	KTS-PIR3-12V-PKO /A	PIR occupancy sensor; Preset for 1 min hold time, 3 min standby time at 30% dim, daylight disabled	843654133638	RXQ-30	
	KTS-PIR3-12V-PKO /B	PIR occupancy sensor; Preset for 5 min hold time, 10 min standby time at 10% dim, daylight disabled	843654133645	LEF-34	

### QUICK-INSTALL

1. Ensure power is off to the fixture.
2. Remove 1/2" knock-out (KO) plug.
3. Screw in sensor head. (see illustrations)
4. Re-connect power when ready.
5. Program desired settings as needed with Keystone Remote Control.





# KT-RHLED200PS-14C-8CSB-VDIM-P-W

## ROUND LED HIGH BAY FIXTURE

**ACCESSORIES (SOLD SEPARATELY)**

Catalog Number	Description	UPC	Easy Code
KT-RHLED-SM-2-KIT /G2	Steel surface mount kit; Includes mounting hardware	843654133256	BLT-11
KT-RHLED-WG-2-KIT /G2	Thick steel wire guard; Premium powdercoat construction; Includes mounting hardware	843654133270	PHU-26
KT-RHLED-AR90-2-KIT /G2	Aluminum dome reflector; 90° beam angle; Includes mounting hardware	843654133294	GBN-40
KT-RHLED-CL90-2-KIT /G2	Clear polycarbonate dome reflector with bottom lens; 90° beam angle; Includes mounting hardware	843654133621	SFZ-16
KT-RHLED-JBOX-PM /G2	J-Box; Optimized for pole pendant and step-down transformer applications	843654133300	RAQ-94
KTS-MW3-12V-PKO /A	High Bay microwave occupancy sensor with /A pre-set settings	843654133317	XYR-25
KTS-MW3-12V-PKO /B	High Bay microwave occupancy sensor with /B pre-set settings	843654133324	SPF-37
KTS-PIR3-12V-PKO /A	High Bay PIR occupancy sensor with /A pre-set settings	843654133638	RXQ-30
KTS-PIR3-12V-PKO /B	High Bay PIR occupancy sensor with /B pre-set settings	843654133645	LEF-34
KTS-MW3-REMOTECONTROL	Remote Control for KTS-MW3-12V-X and KTS-PIR3-12V-X Sensors; Used to set/adjust all sensor settings	843654132020	XSR-61

**ORDERING INFORMATION**

ORDER CODE	PACK QTY.	UPC	Easy Code
KT-RHLED200PS-14C-8CSB-VDIM-P-W	1	843654132945	TVI-52

**CATALOG NUMBER BREAKDOWN**

# KT-RHLED200PS-14C-8CSB-VDIM-P-W

1
2
3
4
5
6
7
8
9
10
11
12

- 1** Keystone Technologies
- 2** Fixture Type
- 3** LED Technology
- 4** Wattage
- 5** Power Selectable
- 6** Size/Shape
- 7** 800 Series
- 8** Color Selectable
- 9** Color Select Designation
- 10** Dimming
- 11** Premium Series
- 12** Housing Color

**2 Fixture Type**

RH	Round High Bay
----	----------------

**6 Size/Shape**

14C	14" Diameter
-----	--------------

**9 Color Select Designation**

A	3500K, 4000K, 5000K
B	3000K, 4000K, 5000K
C	3000K, 3500K, 4000K, 5000K

**10 Dimming**

VDIM	0-10V
------	-------

**12 Housing Color**

Blank	Black
W	White