

KT-RHLED200PS-14C-8CSB-VDIM-P

ROUND LED HIGH BAY FIXTURE

DESCRIPTION

Compact Round LED High Bay Fixture | Wet Location Rated

APPLICATION

Used for commercial and industrial high bay lighting applications



PRODUCT FEATURES

- Features Keystone Power Select technology. Adjust power between 200W, 150W, or 100W
- Features Keystone Color Select technology. Adjust CCT between 3000K, 4000K, or 5000K
- Designed to accept easy screw-in installation of optional sensors
- Powered by Keystone 0–10V dimming LED driver
- Ring-bolt mounting accessory included
- 6' cord for input and dimming wires
- Powder-coated aluminum housing; Polycarbonate lens
- Ribbed lens to reduce glare
- Low optical flicker
- Built-in 6kV surge protection
- LED lifetime: L70 >100,000 hours @ 25°C fixture ambient
- Ambient operating temperature: –40°C/–40°F to 50°C/122°F
- IP65 rated, wet location
- Listed on QPL DLC, Premium

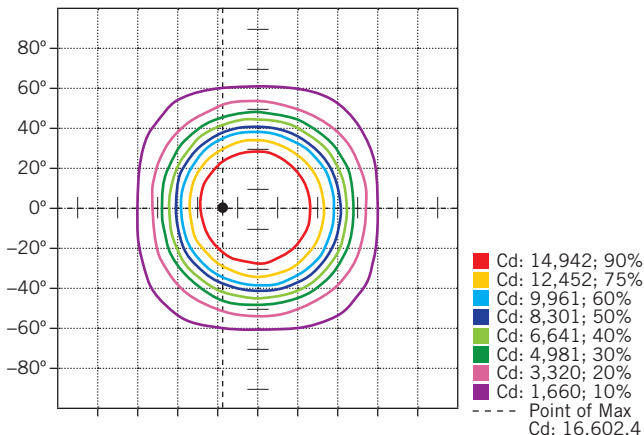
PERFORMANCE SPECIFICATIONS

Catalog Number	Input Voltage	Wattage	Color Temperature	Lumen Output	Efficacy	Rated Life	CRI	Power Factor
KT-RHLED200PS-14C-8CSB-VDIM-P	120–277V	200W	3000K	30,135 lm	151 lm/W	50,000 hrs	> 80	> 0.9
			4000K	32,292 lm	161 lm/W			
			5000K	31,511 lm	158 lm/W			
		150W	3000K	21,450 lm	143 lm/W			
			4000K	24,750 lm	165 lm/W			
			5000K	24,150 lm	161 lm/W			
		100W	3000K	14,800 lm	148 lm/W			
			4000K	16,500 lm	165 lm/W			
			5000K	16,300 lm	163 lm/W			

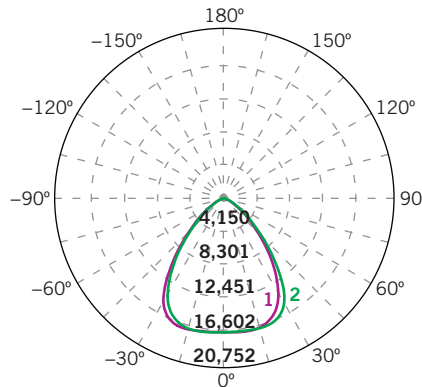
Note: Preset to highest lumen output (200W/5000K)
 Note: Color uniformity: CCT (Correlated Color Temperature) range as per guidelines outlined in ANSI C78.377-2017

PHOTOMETRIC SPECIFICATIONS

ISOCANDELA PLOT

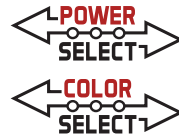


POLAR CANDELA DISTRIBUTION



ZONAL LUMEN SUMMARY

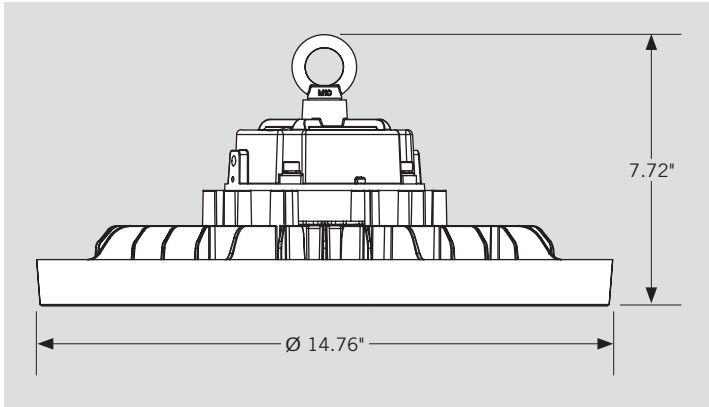
Zone	Lumens	% Luminaire
0–30	13,328.7	44.2%
0–40	20,615.9	68.4%
0–60	28,188.7	93.6%
60–90	1,897.0	6.3%
70–100	612.8	2.0%
90–120	0.2	0%
0–90	30,085.7	99.8%
90–180	45.2	0.2%
0–180	30,130.9	100%



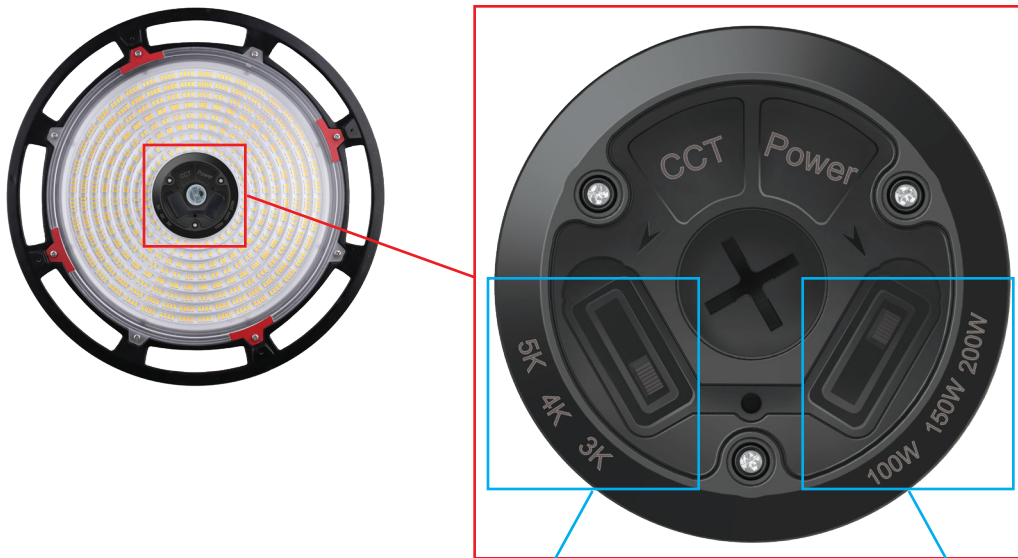
KT-RHLED200PS-14C-8CSB-VDIM-P

ROUND LED HIGH BAY FIXTURE

PHYSICAL SPECIFICATIONS

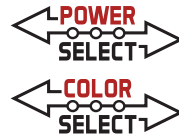


POWER SELECTION AND COLOR TEMPERATURE SELECTION CAPABILITY



KEYSTONE COLOR SELECT TECHNOLOGY
Adjust CCT between 3000K, 4000K, or 5000K

KEYSTONE POWER SELECT TECHNOLOGY
Adjust power between 200W, 150W, or 100W



KT-RHLED200PS-14C-8CSB-VDIM-P

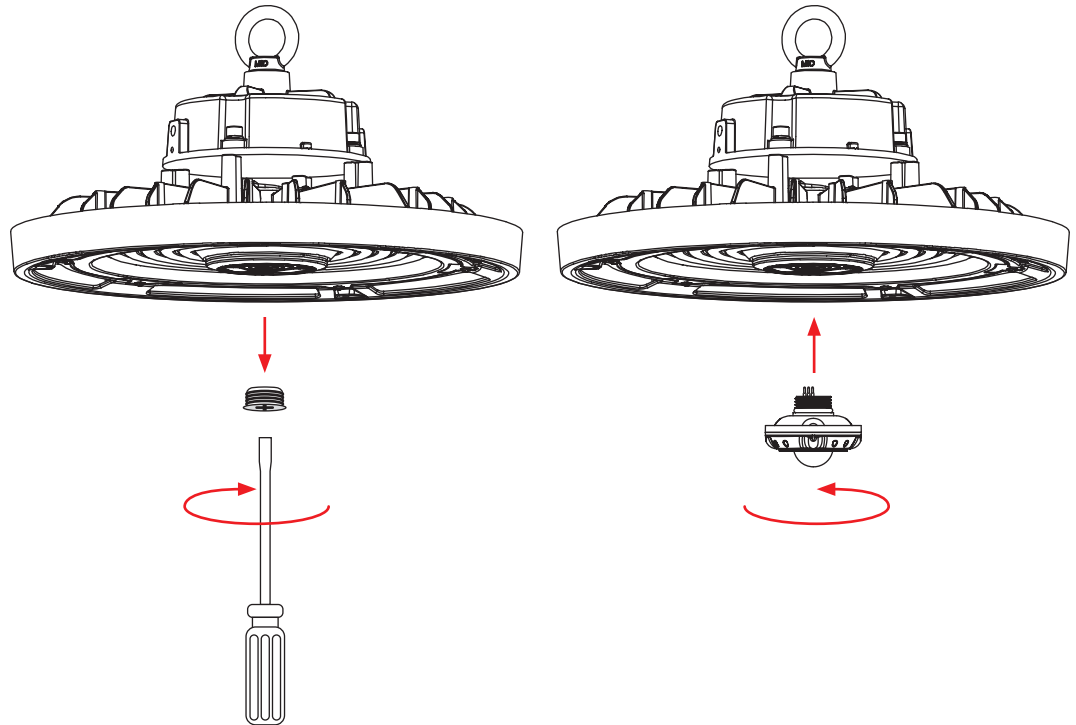
ROUND LED HIGH BAY FIXTURE

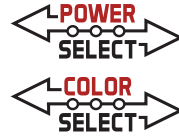
QUICK-INSTALL ACCESSORIES (SOLD SEPARATELY)

Accessory	Catalog Number	Description	UPC	Easy Code	
Microwave Occupancy Sensor	KTS-MW3-12V-PKO /A	Microwave occupancy sensor; Preset for 1 min hold time, 3 min standby time at 30% dim, daylight disabled	843654133317	XYR-25	
	KTS-MW3-12V-PKO /B	Microwave occupancy sensor; Preset for 5 min hold time, 10 min standby time at 10% dim, daylight disabled	843654133324	SPF-37	
Passive Infrared (PIR) Occupancy Sensor	KTS-PIR3-12V-PKO /A	PIR occupancy sensor; Preset for 1 min hold time, 3 min standby time at 30% dim, daylight disabled	843654133638	RXQ-30	
	KTS-PIR3-12V-PKO /B	PIR occupancy sensor; Preset for 5 min hold time, 10 min standby time at 10% dim, daylight disabled	843654133645	LEF-34	

QUICK-INSTALL

1. Ensure power is off to the fixture.
2. Remove 1/2" knock-out (KO) plug.
3. Screw in sensor head. (see illustrations)
4. Re-connect power when ready.
5. Program desired settings as needed with Keystone Remote Control.





KT-RHLED200PS-14C-8CSB-VDIM-P

ROUND LED HIGH BAY FIXTURE

ACCESSORIES (SOLD SEPARATELY)

Catalog Number	Description	UPC	Easy Code
KT-RHLED-SM-2-KIT /G2	Steel surface mount kit; Includes mounting hardware	843654133256	BLT-11
KT-RHLED-WG-2-KIT /G2	Thick steel wire guard; Premium powdercoat construction; Includes mounting hardware	843654133270	PHU-26
KT-RHLED-AR90-2-KIT /G2	Aluminum dome reflector; 90° beam angle; Includes mounting hardware	843654133294	GBN-40
KT-RHLED-CL90-2-KIT /G2	Clear polycarbonate dome reflector with bottom lens; 90° beam angle; Includes mounting hardware	843654133621	SFZ-16
KT-RHLED-JBOX-PM /G2	J-Box; Optimized for pole pendant and step-down transformer applications	843654133300	RAQ-94
KTS-MW3-12V-PKO /A	High Bay microwave occupancy sensor with /A pre-set settings	843654133317	XYR-25
KTS-MW3-12V-PKO /B	High Bay microwave occupancy sensor with /B pre-set settings	843654133324	SPF-37
KTS-PIR3-12V-PKO /A	High Bay PIR occupancy sensor with /A pre-set settings	843654133638	RXQ-30
KTS-PIR3-12V-PKO /B	High Bay PIR occupancy sensor with /B pre-set settings	843654133645	LEF-34
KTS-MW3-REMOTECONTROL	Remote Control for KTS-MW3-12V-X and KTS-PIR3-12V-X Sensors; Used to set/adjust all sensor settings	843654132020	XSR-61

ORDERING INFORMATION

ORDER CODE	PACK QTY.	UPC	Easy Code
KT-RHLED200PS-14C-8CSB-VDIM-P	1	843654132938	XNC-69

CATALOG NUMBER BREAKDOWN

KT-RHLED200PS-14C-8CSB-VDIM-P

1
2
3
4
5
6
7
8
9
10
11
12

- 1** Keystone Technologies
- 2** Fixture Type
- 3** LED Technology
- 4** Wattage
- 5** Power Selectable
- 6** Size/Shape
- 7** 800 Series
- 8** Color Selectable
- 9** Color Select Designation
- 10** Dimming
- 11** Premium Series
- 12** Housing Color

2 Fixture Type

RH	Round High Bay
----	----------------

6 Size/Shape

14C	14" Diameter
-----	--------------

9 Color Select Designation

A	3500K, 4000K, 5000K
B	3000K, 4000K, 5000K
C	3000K, 3500K, 4000K, 5000K

10 Dimming

VDIM	0-10V
------	-------

12 Housing Color

Blank	Black
W	White