



KT-LED62P-0-8XX-D

2-PIN LED LAMP

DESCRIPTION

6W 2-Pin LED Omni-Directional Lamp | ≥ 80 CRI | Line-Voltage Compatible



LAMP TYPE: Compact LED
BULB TYPE: 2-Pin LED
BASE TYPE: GX23
WATTAGE: 6W
COLOR TEMPERATURE: 2700–5000K
CFL EQUIVALENT: 13W
COLOR RENDERING INDEX (CRI): ≥ 80
WARRANTY: 5 Years



PRODUCT FEATURES

- Replacement for 13W CFL lamp
- Ideal for wall-mounted and ceiling applications
- 50,000+ hour lifetime
- Power factor: >0.9
- Environmentally friendly: No mercury used
- Die-cast aluminum heat sink
- Instant startup
- Suitable for dry and damp locations
- Frosted lens eliminates pixelation
- Approximately 50% more energy efficient than traditional CFL lamps
- Ideal for totally enclosed fixtures
- Operating temperature: $-20^{\circ}\text{C}/-4^{\circ}\text{F}$ to $40^{\circ}\text{C}/105^{\circ}\text{F}$
- Non-dimmable
- 260° beam angle
- UL damp listed
- Suitable for use in fully enclosed fixture. Minimum lamp compartment dimensions: 15.5cm x 14cm

OPERATING SPECIFICATIONS

ELECTRICAL CHARACTERISTICS

Input Voltage	Lamp Wattage	Power Factor
120–277Vac	6W	>0.9

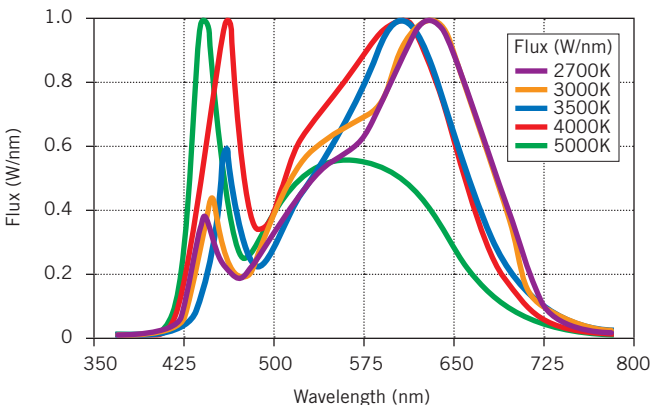
PHOTOMETRIC CHARACTERISTICS

Color Temperature (CCT)	2700K	3000K	3500K	4000K	5000K
Luminous Flux	600 lm	600 lm	600 lm	600 lm	600 lm
Color Rendering Index (CRI)	≥ 80	≥ 80	≥ 80	≥ 80	≥ 80
Efficacy	100 lm/W	100 lm/W	100 lm/W	100 lm/W	100 lm/W
Beam Angle	260°	260°	260°	260°	260°

RATED LIFE

L70 (Hours)	50,000
-------------	--------

SPECTRAL DISTRIBUTION

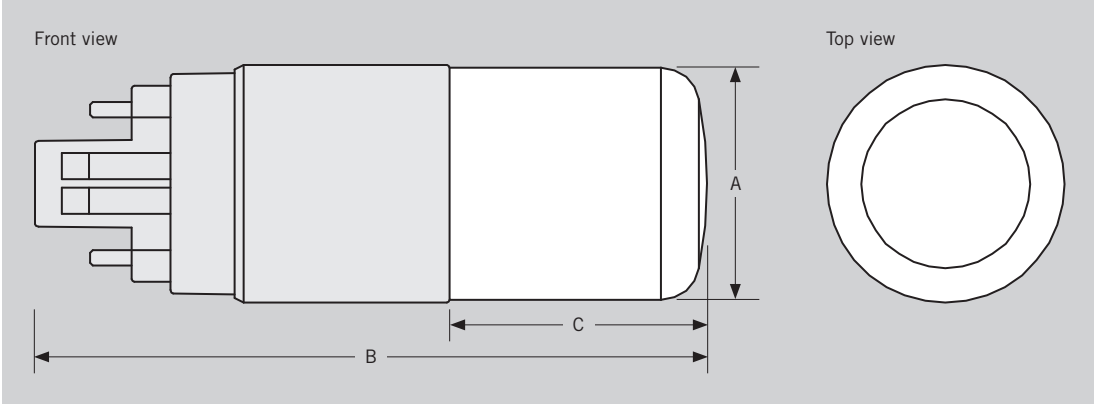




KT-LED62P-O-8XX-D

2-PIN LED LAMP

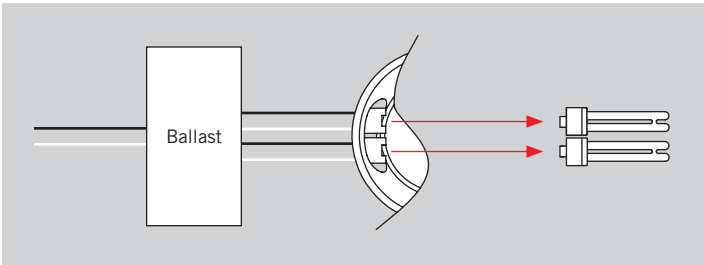
PHYSICAL CHARACTERISTICS



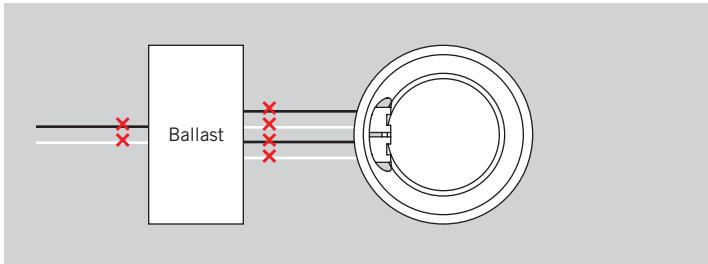
DIMENSIONS	
A (Width)	1.46"
B (Length)	4.13"
C (Illuminated Length)	2.53"

WIRING INSTRUCTIONS

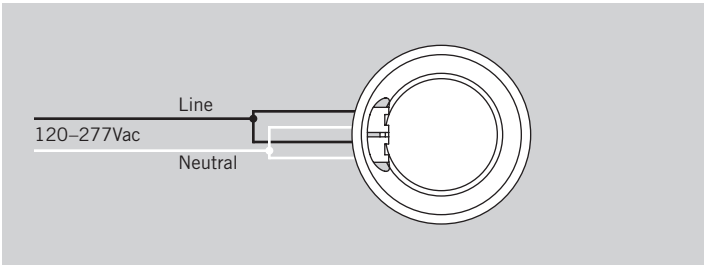
STEP 1
Disconnect power. Remove can cover (if applicable) and remove existing lamps from fixture.



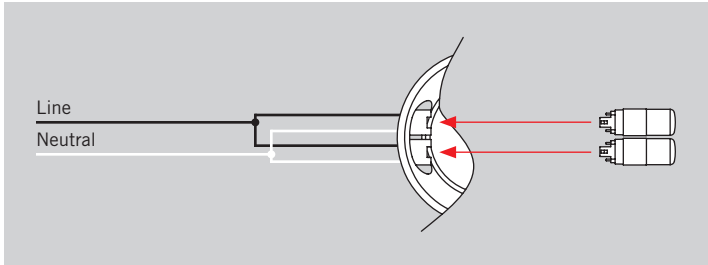
STEP 2
 Cut and remove all wires connected to ballast.



STEP 3
 Connect AC input wires to lamp sockets.



STEP 4
 Install replacement GX23 LED lamps into sockets. Replace can cover, ensuring that all connecting wires are covered by metal housing. Reconnect power.





KT-LED62P-O-8XX-D

2-PIN LED LAMP

ORDERING INFORMATION

ORDER CODE	PACK QTY.	EASY CODE	UPC
KT-LED62P-O-827-D	50	JUB-44	843654126944
KT-LED62P-O-830-D	50	HGN-74	843654126951
KT-LED62P-O-835-D	50	WLK-19	843654126968
KT-LED62P-O-840-D	50	BYX-38	843654126975
KT-LED62P-O-850-D	50	HXE-05	843654126982

CATALOG NUMBER BREAKDOWN

KT-LED62P-O-8XX-D

1
2
3
4
5
6
7
8

- 1** Keystone Technologies
- 2** LED Lamp
- 3** Wattage
- 4** Lamp Type
- 5** Omni-Directional Orientation
- 6** 800 Series
- 7** Color Temperature
- 8** Direct Drive Series