



# KT-LED82P-0-8XX-D

## 2-PIN LED LAMP

### DESCRIPTION

8W 2-Pin LED Omni-Directional Lamp |  $\geq 80$  CRI | Line-Voltage Compatible



<b>LAMP TYPE:</b> Compact LED
<b>BULB TYPE:</b> 2-Pin LED
<b>BASE TYPE:</b> G24d, G24q, GX24q
<b>WATTAGE:</b> 8W
<b>COLOR TEMPERATURE:</b> 2700–5000K
<b>CFL EQUIVALENT:</b> 13W, 18W, and 26W
<b>COLOR RENDERING INDEX (CRI):</b> $\geq 80$
<b>WARRANTY:</b> 5 Years



### PRODUCT FEATURES

- Replaces 26W/32W/42W G24d, G24q & GX24q\* CFL Lamps
- Ideal for wall-mounted and ceiling applications
- 50,000+ hour lifetime
- Power factor:  $>0.9$
- Environmentally friendly: No mercury used
- Die-cast aluminum heat sink
- Instant startup
- Suitable for dry and damp locations
- Frosted lens eliminates pixelation
- Approximately 50% more energy efficient than traditional CFL lamps
- Ideal for totally enclosed fixtures
- Operating temperature:  $-20^{\circ}\text{C}/-4^{\circ}\text{F}$  to  $40^{\circ}\text{C}/105^{\circ}\text{F}$
- Non-dimmable
- $260^{\circ}$  beam angle
- UL damp listed

\*G24q-5/6/7 and Gx24q-5/6/7 not compatible

### OPERATING SPECIFICATIONS

#### ELECTRICAL CHARACTERISTICS

Input Voltage	Lamp Wattage	Power Factor
120–277Vac	8W	$>0.9$

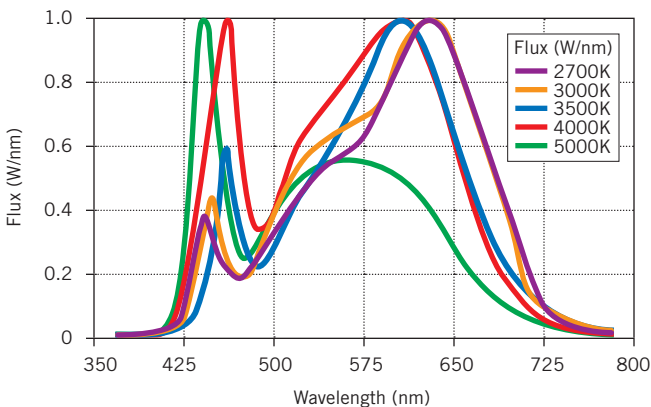
#### PHOTOMETRIC CHARACTERISTICS

Color Temperature (CCT)	2700K	3000K	3500K	4000K	5000K
<b>Luminous Flux</b>	800 lm	800 lm	800 lm	800 lm	800 lm
<b>Color Rendering Index (CRI)</b>	$\geq 80$	$\geq 80$	$\geq 80$	$\geq 80$	$\geq 80$
<b>Efficacy</b>	100 lm/W	100 lm/W	100 lm/W	100 lm/W	100 lm/W
<b>Beam Angle</b>	$260^{\circ}$	$260^{\circ}$	$260^{\circ}$	$260^{\circ}$	$260^{\circ}$

#### RATED LIFE

<b>L70 (Hours)</b>	50,000
--------------------	--------

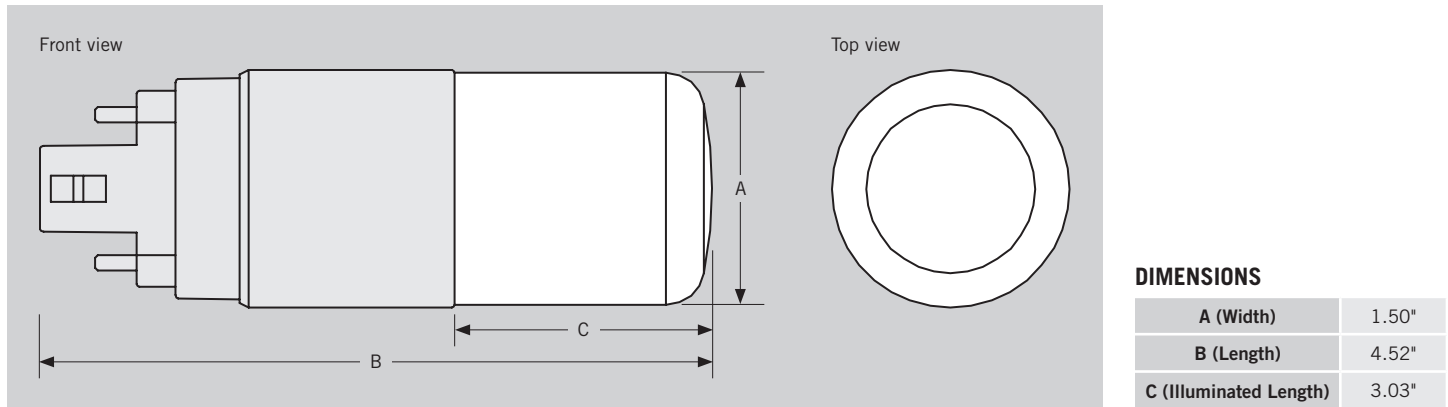
#### SPECTRAL DISTRIBUTION



## KT-LED82P-O-8XX-D

### 2-PIN LED LAMP

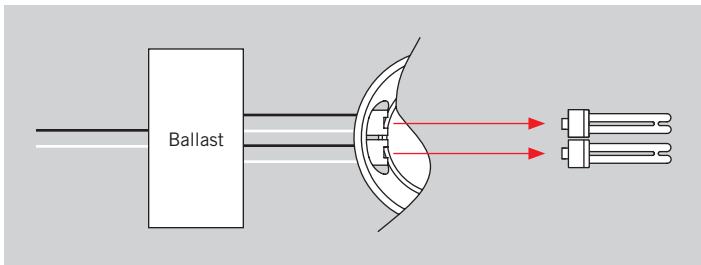
#### PHYSICAL CHARACTERISTICS



#### WIRING INSTRUCTIONS

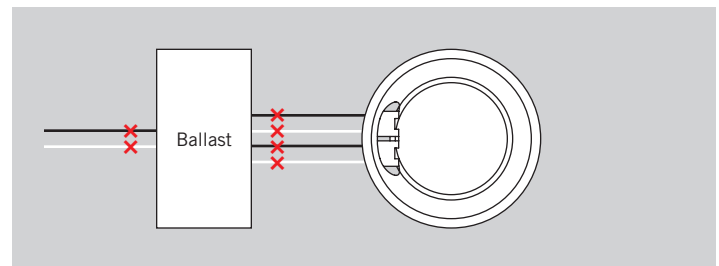
##### STEP 1

**Disconnect power.** Remove can cover (if applicable) and remove existing lamps from fixture.



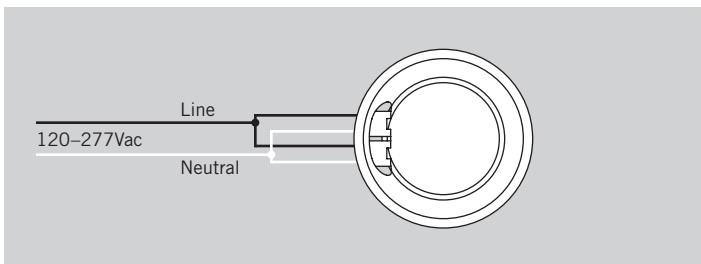
##### STEP 2

Cut and remove all wires connected to ballast.



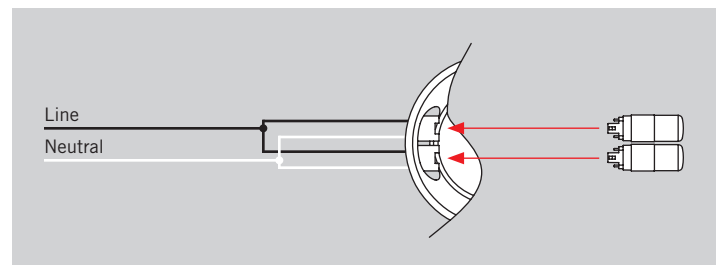
##### STEP 3

Connect AC input wires to lamp sockets.



##### STEP 4

Install replacement G24d LED lamps into sockets. Replace can cover, ensuring that all connecting wires are covered by metal housing. Reconnect power.





# KT-LED82P-O-8XX-D

## 2-PIN LED LAMP

**ORDERING INFORMATION**

ORDER CODE	PACK QTY.	EASY CODE	UPC
KT-LED82P-O-827-D	50	GJI-26	843654126890
KT-LED82P-O-830-D	50	EMQ-20	843654126906
KT-LED82P-O-835-D	50	NOP-94	843654126913
KT-LED82P-O-840-D	50	KZU-89	843654126920
KT-LED82P-O-850-D	50	CRO-51	843654126937

**CATALOG NUMBER BREAKDOWN**

# KT-LED82P-O-8XX-D

1
2
3
4
5
6
7
8

- 1** Keystone Technologies
- 2** LED Lamp
- 3** Wattage
- 4** Lamp Type
- 5** Omni-Directional Orientation
- 6** 800 Series
- 7** Color Temperature
- 8** Direct Drive Series