



KT-LED94P-H-8XX-S

4-PIN LED LAMP



DESCRIPTION

9W | 4-Pin LED Lamp | 2700K, 3000K, 3500K, 4000K, 5000K | >80CRI | CFL Ballast Compatible

LAMP TYPE: Compact
BULB TYPE: 4-Pin LED
BASE TYPE: G24q/GX24q
LAMP WATTAGE: 9W
INPUT TYPE: Ballast Compatible
WARRANTY: 5 Years



PRODUCT FEATURES

- **Plug and Play:** Directly Compatible with Most Existing CFL Ballasts. Contact Keystone for Ballast Compatibility List.
- Replacement for Conventional 13W, 18W, 26W, and 42W G24q Lamps
- Last Up to 5x Longer for Traditional CFL Lamps
- UL Classified and UL Recognized Component
- Operating Temperature: -20°C/-4°F to 45°C /113°F
- Listed on DLC QPL
- Non-Dimmable
- Not for use in enclosed fixture. Minimum compartment dimension allowed 15.5cm X 12cm.

OPERATING SPECIFICATIONS

Catalog Number	Color	Base Type	Orientation	CRI	Power Factor	Input Voltage	Lamp Wattage	System Wattage*	Lumens*	Rated Life
KT-LED94P-H-827-S	2700K	G24q	Horizontal	>80	Ballast Dependent		9	11	920	50,000 Hrs.
KT-LED94P-H-830-S	3000K	G24q	Horizontal	>80			9	11	980	50,000 Hrs.
KT-LED94P-H-835-S	3500K	G24q	Horizontal	>80			9	11	980	50,000 Hrs.
KT-LED94P-H-840-S	4000K	G24q	Horizontal	>80			9	11	1050	50,000 Hrs.
KT-LED94P-H-850-S	5000K	G24q	Horizontal	>80			9	11	1050	50,000 Hrs.

* Values based off of typical 2x26W CFL Ballast.

PERFORMANCE SPECIFICATIONS

Original Best Wattage	System Wattage Per Lamp	Lumens Per Lamp (at 3000K)
13W	6.5	415
18W	7.5	480
26W	11	980
42W	12	1000

* Values based off of typical 2x26W CFL Ballast.

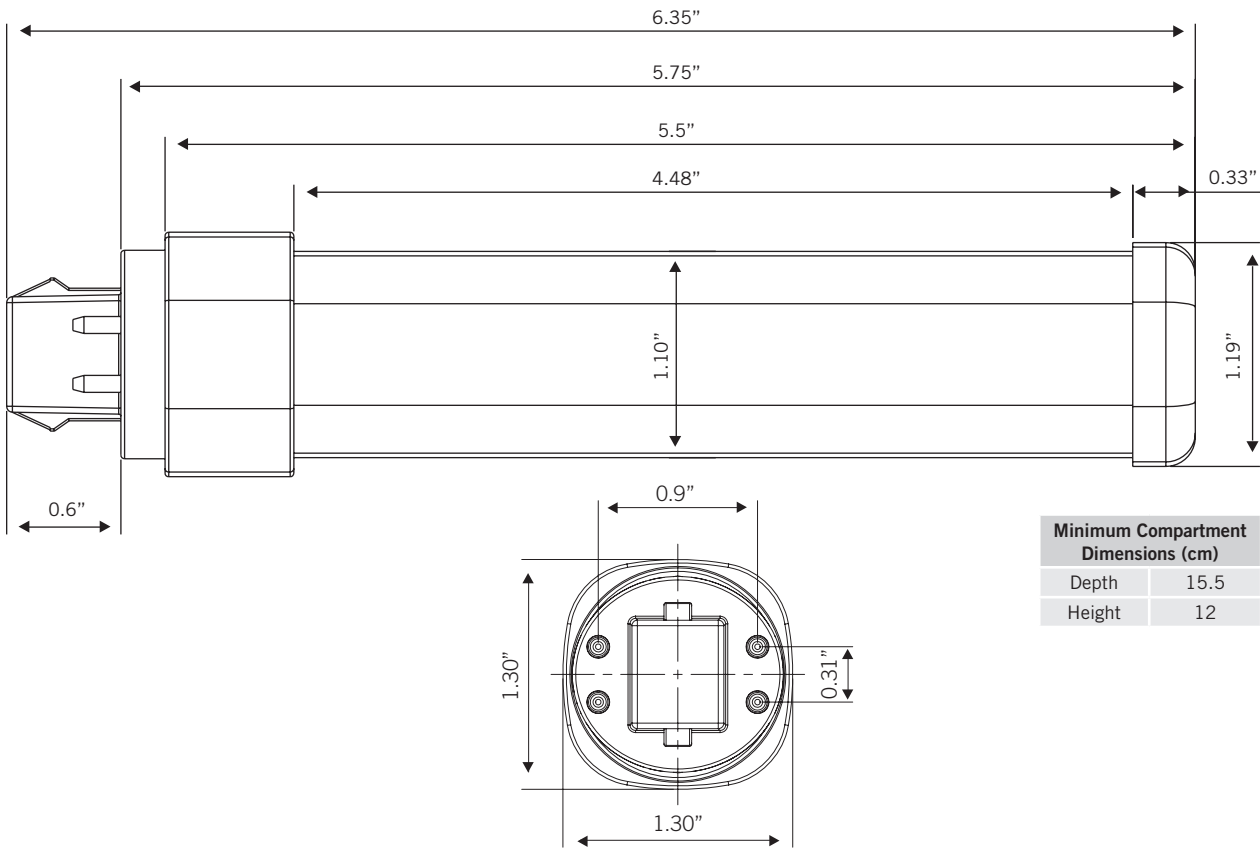


KT-LED94P-H-8XX-S

4-PIN LED LAMP

PHYSICAL CHARACTERISTICS

LAMP DIMENSIONS



Minimum Compartment Dimensions (cm)	
Depth	15.5
Height	12

ORDERING INFORMATION

ORDER CODE	PACK QTY.	UPC	EASY CODE
KT-LED94P-H-827S-DP	6	89094901621	ODQ-98
KT-LED94P-H-830S-DP	6	89094901622	RLN-53
KT-LED94P-H-835S-DP	6	89094901623	SJH-39
KT-LED94P-H-840S-DP	6	89094901624	GBX-99
KT-LED94P-H-850S-DP	6	89094901625	ASU-77

CATALOG NUMBER BREAKDOWN

KT-LED94P-H-8XX-S-DP

