



# KT-FLED35-R1A-UNV-8CSB-VDIM

## COMPACT 35W GENERAL-PURPOSE LED FLOOD LIGHT

**DESCRIPTION**

Compact 35W General-Purpose LED Flood Light | 120–277V  
 Input | 3000–5000K | Bronze Housing | Multiple Mounting  
 Options

**APPLICATION**

Building Mount or Ground Mount for outdoor illumination  
 (landscapes, display signage, loading docks,  
 building façades, pathways, parking areas, and  
 other general site lighting requirements)



**PRODUCT FEATURES**

- Uniform, wide flood design (NEMA 7h x 7w distribution pattern)
- Heavy-duty, die cast aluminum housing featuring built-in glare visor and tempered glass lens
- Powered by Keystone 0–10V dimming LED drivers
- Keystone Color Select Technology: Adjustable CCT (3000K, 4000K, or 5000K)
- Built-in dusk-to-dawn photocell behind translucent 3/4" threaded plug with anti-yellowing agent
- Heavy-duty 1/2" knuckle mount with 90° adjustment and yoke mount options included
- Ambient operating temperature: –30°C/–22°F to 45°C/113°F
- UL listed for wet locations, IP65
- 0–10V dimming, 10% min
- Power Factor: >0.95
- THD: <20%
- LED chip lifetime: L70 >100,000 hrs @ 25°C/77°F ambient fixture temp
- Meets FCC Part 15, Part B, Class A standards for conducted and radiated emissions
- 18" input cable, pre-stripped
- Fixture impact rating IK07

**ELECTRICAL SPECIFICATIONS**

Catalog Number	Wattage	Lumens	Dimming	CCT*	Efficacy	CRI	Housing Color	Mounting	Input Voltage	Rated Life	Legacy Equivalent
KT-FLED35-R1A-UNV-8CSB-VDIM	35W	4480 lm	0–10V	3000K	128 lm/W	>80	Bronze	Universal: 1/2" Knuckle or yoke	120–277V	50,000 hrs	150–175W MH
		5075 lm		4000K	145 lm/W						
		4900 lm		5000K	140 lm/W						

\* Color Uniformity: CCT (Correlated Color Temperature) range as per guidelines outlined in ANSI C78.377-2017

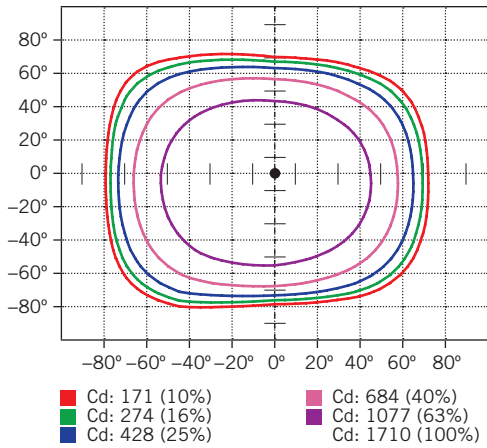


# KT-FLED35-R1A-UNV-8CSB-VDIM

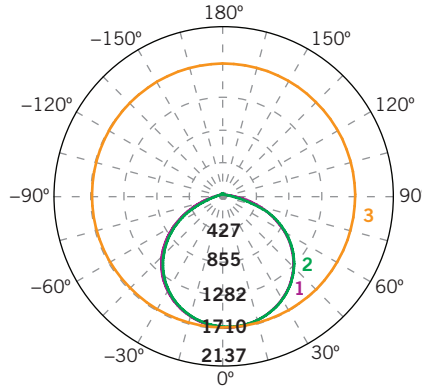
## COMPACT 35W GENERAL-PURPOSE LED FLOOD LIGHT

### PHOTOMETRIC SPECIFICATIONS

#### ISOCANDELA PLOT



#### LUMINOUS INTENSITY DISTRIBUTION



Average diffuse angle (50%): **114.3°**

- 1 Violet C0-C180
- 2 Green C90-C270
- 3 Orange G3

Unit: cd

#### FLUX DISTRIBUTION

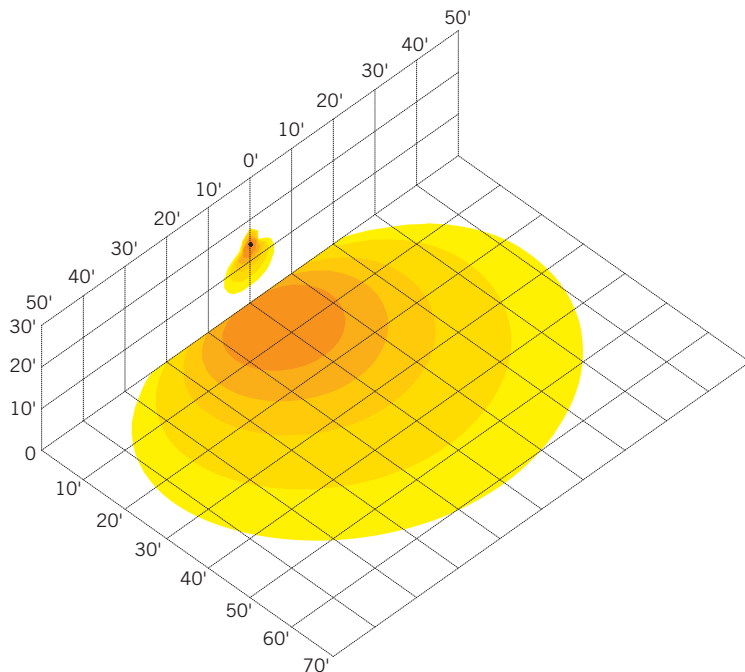
Zone	Lumens	% Luminaire
<b>Forward Light</b>	2,527 lm	53.2%
0°-30°	675 lm	14.2%
30°-60°	1,366 lm	28.8%
60°-80°	471 lm	9.9%
80°-90°	15 lm	0.3%
<b>Back Light</b>	2,181 lm	46.0%
0°-30°	656 lm	13.8%
30°-60°	1,223 lm	25.8%
60°-80°	297 lm	6.3%
80°-90°	5 lm	0.1%
<b>Up Light</b>	39 lm	0.8%
90°-100°	2 lm	0.0%
100°-180°	36 lm	0.8%

BUG* Rating	
Asymmetrical Luminaire Types	
Type I, II, III, IV	B2 U2 G1
Quadrilateral Symmetrical Luminaire Types	
Type V, Area Light	B2 U2 G1

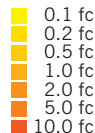
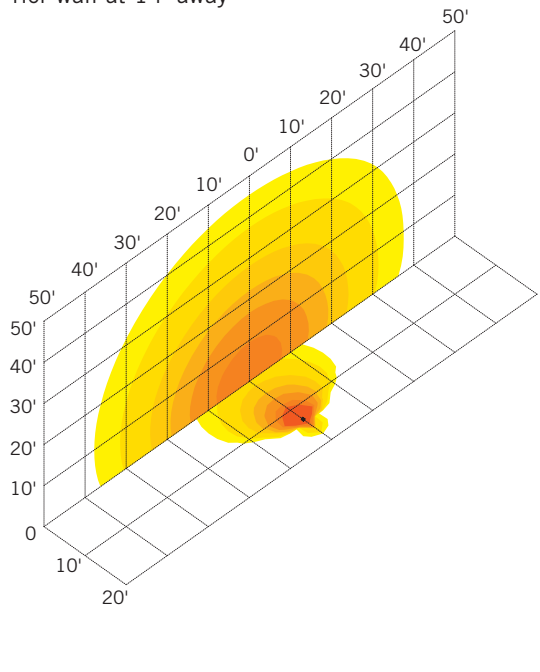
\* Backlight, Uplight, Glare

#### LIGHT DISTRIBUTION PATTERNS (Isometric view from above)

Building exterior mounted at  
15', 30° below horizontal



Ground mounted at 6" above ground,  
10° above horizontal, shining towards building exterior wall at 14' away



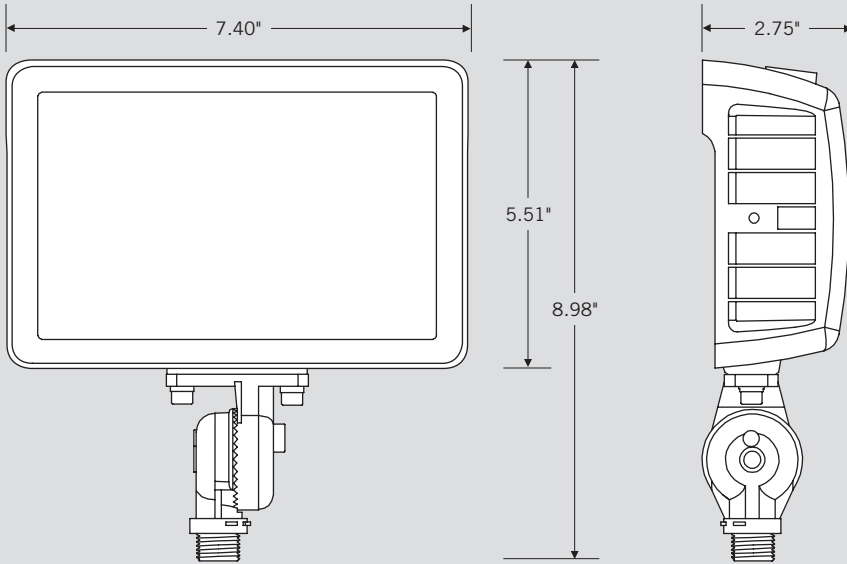


# KT-FLED35-R1A-UNV-8CSB-VDIM

## COMPACT 35W GENERAL-PURPOSE LED FLOOD LIGHT

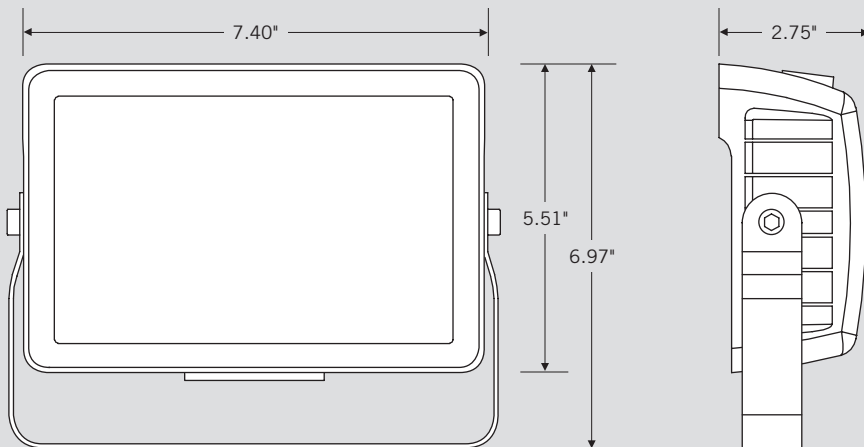
### PHYSICAL SPECIFICATIONS

#### KNUCKLE MOUNT



	EPA
Mounted Vertical	0.34 sq/ft
Mounted Horizontal	0.17 sq/ft
Mounted 45°	0.36 sq/ft

#### YOKE MOUNT



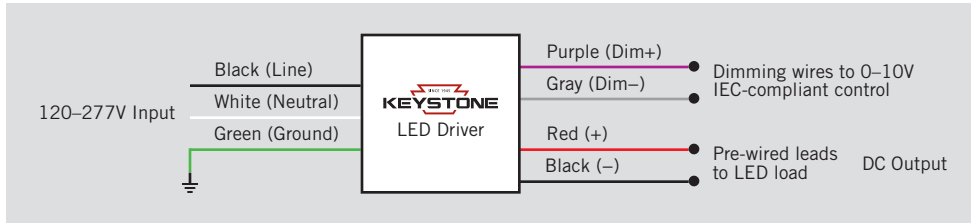


# KT-FLED35-R1A-UNV-8CSB-VDIM

## COMPACT 35W GENERAL-PURPOSE LED FLOOD LIGHT

**GENERAL SETUP INSTRUCTIONS**

**GENERAL WIRING DIAGRAM**



**Caution:** Before installing, make certain that AC power to the fixture is off.

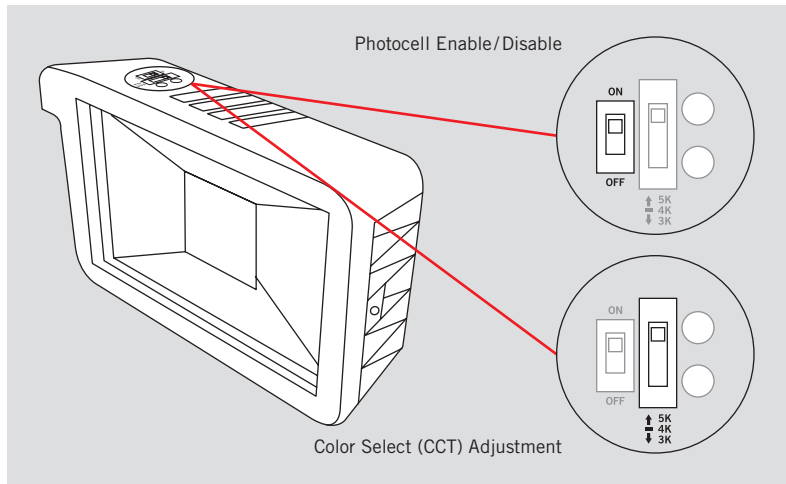
**Caution:** The electrical rating of this product is 120-277V. Installer must confirm that there is 120-277V at the fixture before installation.

**PHOTOCELL ENABLE/DISABLE**

This fixture is equipped with a dusk-to-dawn photocell behind the translucent knock-out (KO) cover. Adjust the dip switch to enable (ON) or disable (OFF) the photocell function (see illustrations to the right). Fixture comes preset with photocell enabled unless otherwise noted.

**COLOR SELECT (CCT) ADJUSTMENT**

This fixture is equipped with Color Select technology. There is an adjustable dip switch behind the translucent knock-out (KO) cover to change CCT between 5000K, 4000K, and 3000K (see illustrations to the right). Fixture comes preset at 5000K unless otherwise noted.



**ACCESSORIES (SOLD SEPARATELY)**

Catalog Number	Description
KT-FLED-SM-1-KIT	Flood Light Wall Mount Kit
KT-FLED-RC-4-W	4" Round Flood Light Junction Box Cover, White
KT-FLED-RC-4	4" Round Flood Light Junction Box Cover, Bronze



# KT-FLED35-R1A-UNV-8CSB-VDIM

## COMPACT 35W GENERAL-PURPOSE LED FLOOD LIGHT

**ORDERING INFORMATION**

CATALOG NUMBER	PACK QTY.	EASY CODE	UPC
KT-FLED35-R1A-UNV-8CSB-VDIM	1	DND-10	843654128962

**CATALOG NUMBER BREAKDOWN**

# KT-FLED35-R1A-UNV-8CSB-VDIM

1	2	3	4	5	6	7	8	9	10	11	12	13																																								
<b>1</b> Keystone Technologies	<b>2</b> Fixture Type	<b>3</b> LED Lamp	<b>4</b> Max Wattage	<b>5</b> Shape	<b>6</b> Style	<b>7</b> Distribution	<b>8</b> Mounting	<b>9</b> CRI	<b>10</b> Color	<b>11</b> Color Select Designation	<b>12</b> Dimming	<b>13</b> Housing Color																																								
	<table border="1"> <tr><td>F</td><td>Flood</td></tr> <tr><td>WP</td><td>Wallpack</td></tr> </table>	F	Flood	WP	Wallpack			<table border="1"> <tr><td>R</td><td>Rectangular</td></tr> <tr><td>C</td><td>Circular</td></tr> </table>	R	Rectangular	C	Circular	<table border="1"> <tr><td>1</td><td>Non-Cutoff</td></tr> <tr><td>2</td><td>Full-Cutoff</td></tr> </table>	1	Non-Cutoff	2	Full-Cutoff		<table border="1"> <tr><td>UNV</td><td>Universal</td></tr> </table>	UNV	Universal	<table border="1"> <tr><td>8</td><td>&gt;80</td></tr> <tr><td>9</td><td>&gt;90</td></tr> </table>	8	>80	9	>90	<table border="1"> <tr><td>40</td><td>4000K</td></tr> <tr><td>50</td><td>5000K</td></tr> <tr><td>CS</td><td>Color Select</td></tr> </table>	40	4000K	50	5000K	CS	Color Select	<table border="1"> <tr><td>A</td><td>3500K, 4000K, 5000K</td></tr> <tr><td>B</td><td>3000K, 4000K, 5000K</td></tr> <tr><td>C</td><td>3000K, 3500K, 4000K, 5000K</td></tr> <tr><td>D</td><td>TBD</td></tr> </table>	A	3500K, 4000K, 5000K	B	3000K, 4000K, 5000K	C	3000K, 3500K, 4000K, 5000K	D	TBD	<table border="1"> <tr><td>VDIM</td><td>0-10V</td></tr> </table>	VDIM	0-10V	<table border="1"> <tr><td></td><td>Bronze</td></tr> <tr><td>B</td><td>Black</td></tr> <tr><td>W</td><td>White</td></tr> </table>		Bronze	B	Black	W	White
F	Flood																																																			
WP	Wallpack																																																			
R	Rectangular																																																			
C	Circular																																																			
1	Non-Cutoff																																																			
2	Full-Cutoff																																																			
UNV	Universal																																																			
8	>80																																																			
9	>90																																																			
40	4000K																																																			
50	5000K																																																			
CS	Color Select																																																			
A	3500K, 4000K, 5000K																																																			
B	3000K, 4000K, 5000K																																																			
C	3000K, 3500K, 4000K, 5000K																																																			
D	TBD																																																			
VDIM	0-10V																																																			
	Bronze																																																			
B	Black																																																			
W	White																																																			