



# KT-FLED60-R1A-UNV-8CSB-VDIM

## COMPACT 60W GENERAL-PURPOSE LED FLOOD LIGHT

**DESCRIPTION**

Compact 60W General-Purpose LED Flood Light | 120–277V  
 Input | 3000–5000K | Bronze Housing | Multiple Mounting  
 Options

**APPLICATION**

Building Mount or Ground Mount for outdoor illumination  
 (landscapes, display signage, loading docks,  
 building façades, pathways, parking areas, and  
 other general site lighting requirements)



**PRODUCT FEATURES**

- Uniform, wide flood design (NEMA 7h x 7w distribution pattern)
- Heavy-duty, die cast aluminum housing featuring built-in glare visor and tempered glass lens
- Powered by Keystone 0–10V dimming LED drivers
- Keystone Color Select Technology: Adjustable CCT (3000K, 4000K, or 5000K)
- Built-in dusk-to-dawn photocell behind translucent 3/4" threaded plug with anti-yellowing agent
- Heavy-duty 1/2" knuckle mount with 90° adjustment and yoke mount options included
- Ambient operating temperature: –30°C/–22°F to 45°C/113°F
- UL listed for wet locations, IP65
- 0–10V dimming, 10% min
- Power Factor: >0.95
- THD: <20%
- LED chip lifetime: L70 >100,000 hrs @ 25°C/77°F ambient fixture temp
- Meets FCC Part 15, Part B, Class A standards for conducted and radiated emissions
- 18" input cable, pre-stripped
- Fixture impact rating IK07

**ELECTRICAL SPECIFICATIONS**

Catalog Number	Wattage	Lumens	Dimming	CCT*	Efficacy	CRI	Housing Color	Mounting	Input Voltage	Rated Life	Legacy Equivalent
KT-FLED60-R1A-UNV-8CSB-VDIM	60W	7320 lm	0–10V	3000K	122 lm/W	>80	Bronze	Universal: 1/2" Knuckle or yoke	120–277V	50,000 hrs	250W MH
		8580 lm		4000K	143 lm/W						
		8040 lm		5000K	134 lm/W						

\* Color Uniformity: CCT (Correlated Color Temperature) range as per guidelines outlined in ANSI C78.377-2017

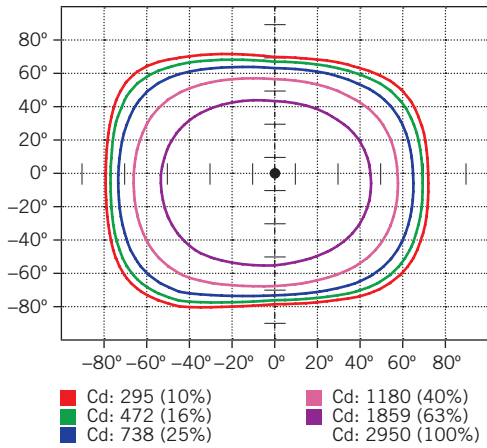


# KT-FLED60-R1A-UNV-8CSB-VDIM

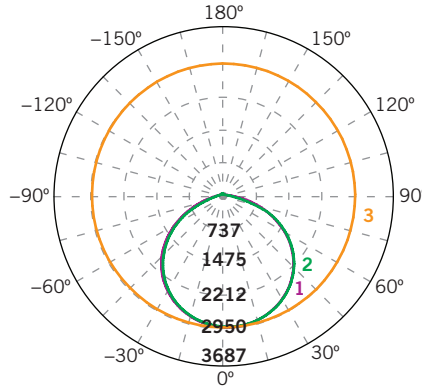
## COMPACT 60W GENERAL-PURPOSE LED FLOOD LIGHT

### PHOTOMETRIC SPECIFICATIONS

#### ISOCANDELA PLOT



#### LUMINOUS INTENSITY DISTRIBUTION



Average diffuse angle (50%): **114.9°**

- 1 Violet C0-C180
  - 2 Green C90-C270
  - 3 Orange G2
- Unit: cd

#### FLUX DISTRIBUTION

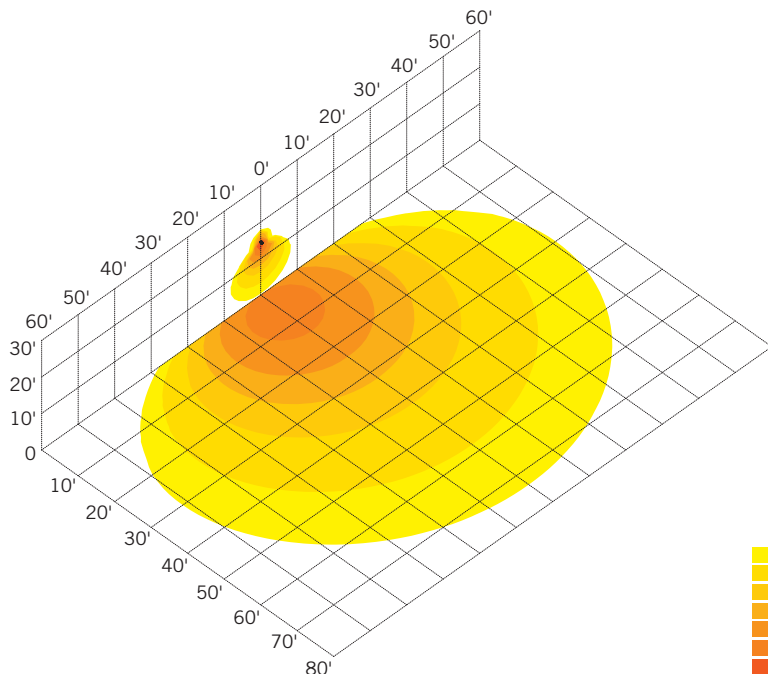
Zone	Lumens	% Luminaire
<b>Forward Light</b>	4,171 lm	50.8%
0°-30°	1,159 lm	14.1%
30°-60°	2,300 lm	28.0%
60°-80°	699 lm	8.5%
80°-90°	14 lm	0.2%
<b>Back Light</b>	3,981 lm	48.4%
0°-30°	1,146 lm	13.9%
30°-60°	2,200 lm	26.8%
60°-80°	624 lm	7.6%
80°-90°	11 lm	0.1%
<b>Up Light</b>	65 lm	0.8%
90°-100°	3 lm	0.0%
100°-180°	61 lm	0.7%

BUG* Rating	
Asymmetrical Luminaire Types	
Type I, II, III, IV	B3 U2 G2
Quadrilateral Symmetrical Luminaire Types	
Type V, Area Light	B3 U2 G1

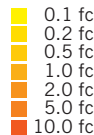
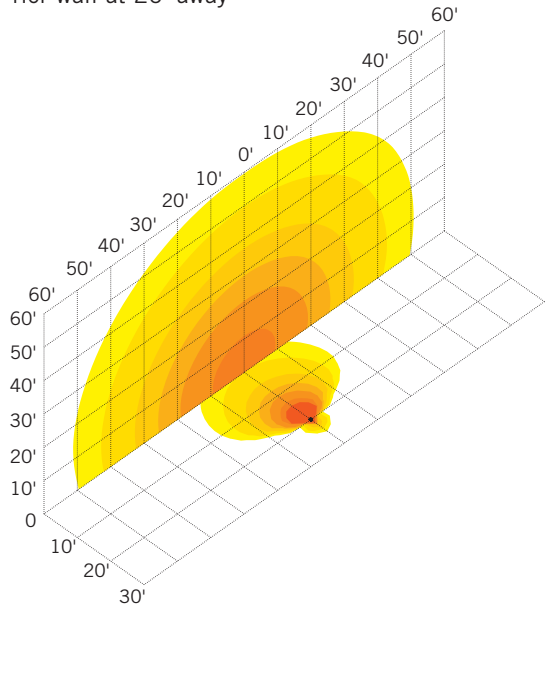
\* Backlight, Uplight, Glare

#### LIGHT DISTRIBUTION PATTERNS (Isometric view from above)

Building exterior mounted at  
15', 30° below horizontal



Ground mounted at 6" above ground,  
10° above horizontal, shining towards building exterior wall at 20' away



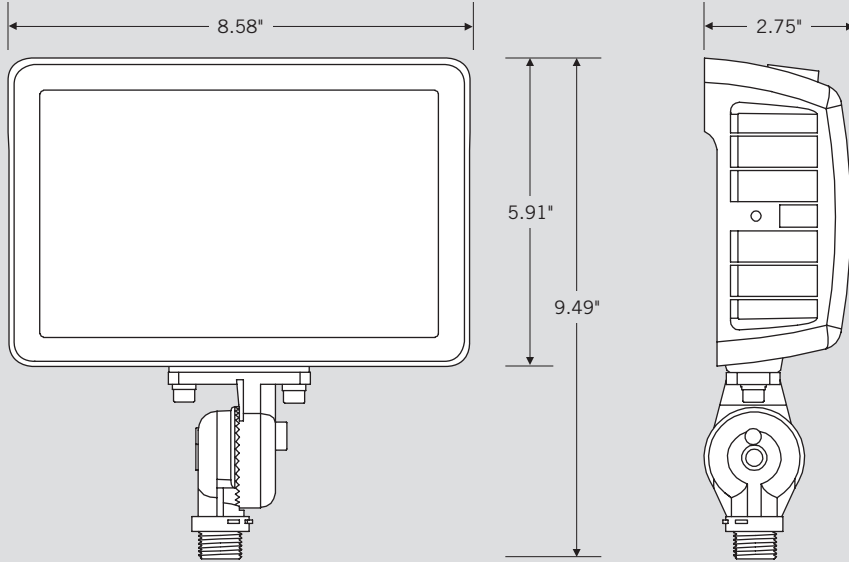


# KT-FLED60-R1A-UNV-8CSB-VDIM

## COMPACT 60W GENERAL-PURPOSE LED FLOOD LIGHT

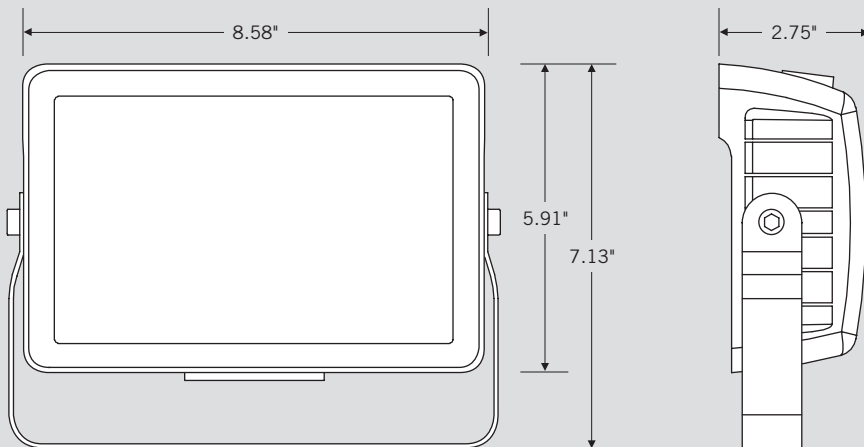
### PHYSICAL SPECIFICATIONS

#### KNUCKLE MOUNT



	EPA
Mounted Vertical	0.42 sq/ft
Mounted Horizontal	0.20 sq/ft
Mounted 45°	0.44 sq/ft

#### YOKE MOUNT



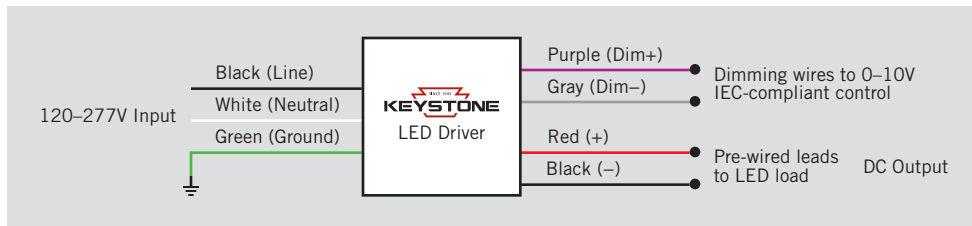


# KT-FLED60-R1A-UNV-8CSB-VDIM

## COMPACT 60W GENERAL-PURPOSE LED FLOOD LIGHT

### GENERAL SETUP INSTRUCTIONS

#### GENERAL WIRING DIAGRAM

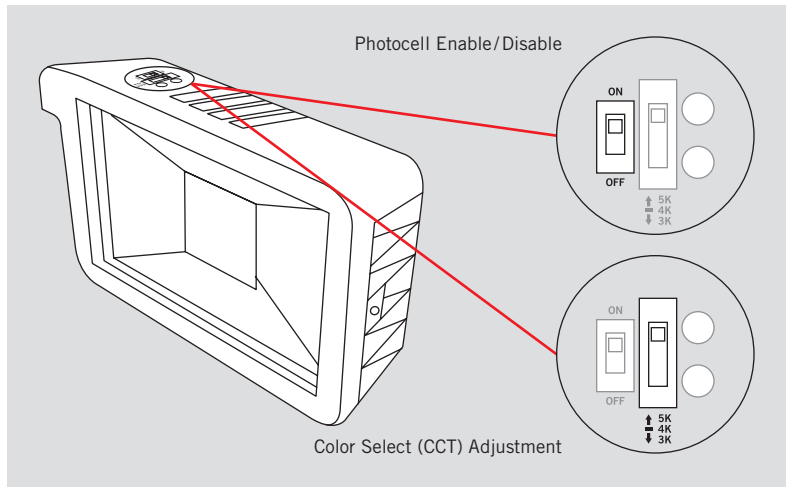


**Caution:** Before installing, make certain that AC power to the fixture is off.

**Caution:** The electrical rating of this product is 120-277V. Installer must confirm that there is 120-277V at the fixture before installation.

#### PHOTOCELL ENABLE/DISABLE

This fixture is equipped with a dusk-to-dawn photocell behind the translucent knock-out (KO) cover. Adjust the dip switch to enable (ON) or disable (OFF) the photocell function (see illustrations to the right). Fixture comes preset with photocell enabled unless otherwise noted.



#### COLOR SELECT (CCT) ADJUSTMENT

This fixture is equipped with Color Select technology. There is an adjustable dip switch behind the translucent knock-out (KO) cover to change CCT between 5000K, 4000K, and 3000K (see illustrations to the right). Fixture comes preset at 5000K unless otherwise noted.

### ACCESSORIES (SOLD SEPARATELY)

Catalog Number	Description
KT-FLED-SM-1-KIT	Flood Light Wall Mount Kit
KT-FLED-RC-4-W	4" Round Flood Light Junction Box Cover, White
KT-FLED-RC-4	4" Round Flood Light Junction Box Cover, Bronze



# XFIT

# FLOOD LIGHT FIXTURES

## KT-FLED60-R1A-UNV-8CSB-VDIM

COMPACT 60W GENERAL-PURPOSE LED FLOOD LIGHT

### ORDERING INFORMATION

CATALOG NUMBER	PACK QTY.	EASY CODE	UPC
KT-FLED60-R1A-UNV-8CSB-VDIM	1	BVB-78	843654128986

### CATALOG NUMBER BREAKDOWN

# KT-FLED60-R1A-UNV-8CSB-VDIM

1	2	3	4	5	6	7	8	9	10	11	12	13
<b>1</b> Keystone Technologies	<b>2</b> Fixture Type	<b>3</b> LED Lamp	<b>4</b> Max Wattage	<b>5</b> Shape	<b>6</b> Style	<b>7</b> Distribution	<b>8</b> Mounting	<b>9</b> CRI	<b>10</b> Color	<b>11</b> Color Select Designation	<b>12</b> Dimming	<b>13</b> Housing Color
	<b>F</b> Flood			<b>R</b> Rectangular	<b>1</b> Non-Cutoff	<b>A</b> Wide (7 × 7)	<b>UNV</b> Universal	<b>8</b> >80	<b>40</b> 4000K	<b>A</b> 3500K, 4000K, 5000K	<b>VDIM</b> 0-10V	<b>B</b> Black
	<b>WP</b> Wallpack			<b>C</b> Circular	<b>2</b> Full-Cutoff	<b>B</b> Narrow		<b>9</b> >90	<b>50</b> 5000K	<b>B</b> 3000K, 4000K, 5000K		<b>W</b> White
						<b>C</b> Very Narrow			<b>CS</b> Color Select	<b>C</b> 3000K, 3500K, 4000K, 5000K		
										<b>D</b> TBD		