

## KT-MSLED-LSM-KIT

END TO END LINKING ACCESSORY FOR MICRO LED STRIP FIXTURES

### DESCRIPTION

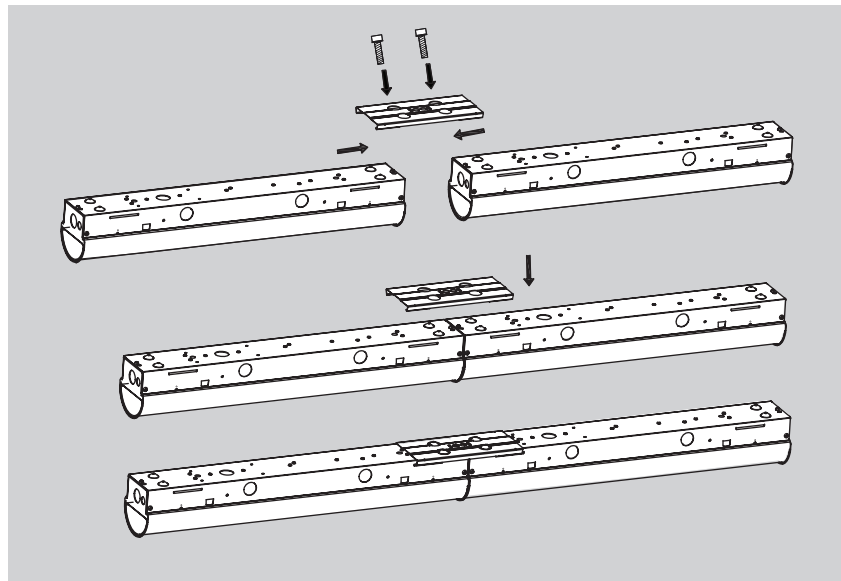
Linking metal bracket to securely join and support Micro Strip fixtures together end to end, to avoid the long run of lights looking wavy or not straight where the fixtures are “joined” together.

### CONTENTS

Plastic/rubber KO grommet, metal bracket and screws.

### INSTRUCTIONS

1. Place plastic/rubber grommet to go between the two KO's that are punched out for proper wiring purposes and to protect wires from sharp metal.
2. Remove two screws on top side of the fixtures and re-install the two new, longer screws provided in the two holes in the LSM metal cover when placed over the two fixtures.



# KT-MSLED-LSM-KIT

END TO END LINKING ACCESSORY FOR MICRO LED STRIP FIXTURES

## PHYSICAL CHARACTERISTICS

