



# XFIT | SMALL LOW PROFILE WALL PACK FIXTURES

## KT-WPLED20-S1-8CSB-VDIM SMALL 20W NON-CUTOFF LED WALL PACK

### DESCRIPTION

Small 20W Non-Cutoff LED Wall Pack | 120–277V Input | 3000–5000K | Low Profile Bronze Housing | Impact Resistant Lens

### APPLICATION

Building Mount for exterior illumination (entryways, pathways, stairwells, security, and other general site lighting requirements)



### PRODUCT FEATURES

- Small non-cutoff design can be mounted virtually anywhere, offering uniform vertical and horizontal distribution pattern for general safety and security illumination needs
- Heavy-duty die-cast aluminum housing features modern aesthetics and includes (3) available 1/2" threaded conduit hubs, (1) on back and (1) on each side
- Powered by Keystone 0–10V dimming LED drivers
- Keystone Color Select Technology: Adjustable CCT (3000K, 4000K, or 5000K)
- Built-in dusk-to-dawn photocell behind translucent 1/2" threaded plug with anti-yellowing agent
- ADA Compliant with low-profile housing less than 4" deep
- Impact-resistant and highly diffused polycarbonate lens with anti-yellowing agent offers reduced glare for low mounting height applications
- Ambient operating temperature: –40°C/–40°F to 50°C/122°F
- UL listed for wet locations, IP65
- 0–10V dimming, 10% min
- Power Factor: >0.95
- THD: <20%
- LED chip lifetime: L70 >100,000 hrs @ 25°C/77°F ambient fixture temp
- Meets FCC Part 15, Part B, Class A standards for conducted and radiated emissions
- Fixture impact rating IK07

### ELECTRICAL SPECIFICATIONS

Catalog Number	Wattage	Lumens	Lumens Below 90°	Dimming	CCT*	Efficacy	CRI	Housing Color	Input Voltage	Rated Life	Legacy Equivalent
KT-WPLED20-S1-8CSB-VDIM	20W	2600 lm	2340 lm	0–10V	3000K	130 lm/W	>80	Bronze	120–277V	50,000 hrs	50–70W MH
		2700 lm	2430 lm		4000K	135 lm/W					
		2500 lm	2330 lm		5000K	125 lm/W					

\* Color Uniformity: CCT (Correlated Color Temperature) range as per guidelines outlined in ANSI C78.377-2017

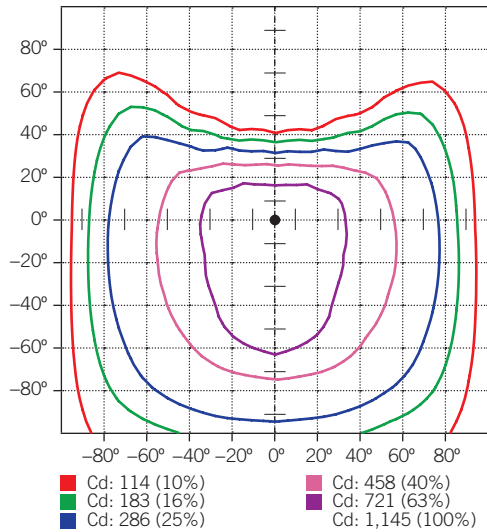


# XFIT | SMALL LOW PROFILE WALL PACK FIXTURES

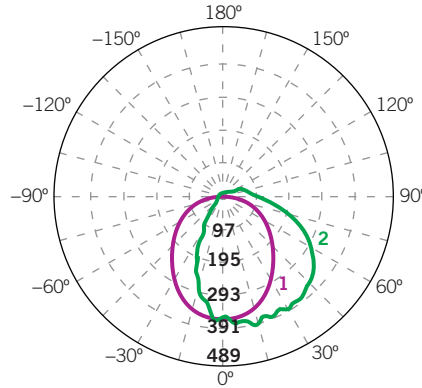
## KT-WPLED20-S1-8CSB-VDIM SMALL 20W NON-CUTOFF LED WALL PACK

### PHOTOMETRIC SPECIFICATIONS

#### ISOCANDELA PLOT



#### LUMINOUS INTENSITY DISTRIBUTION



Average diffuse angle (50%): **100°**

**1 Violet** C0-C180  
**2 Green** C90-C270  
Unit: cd

#### FLUX DISTRIBUTION

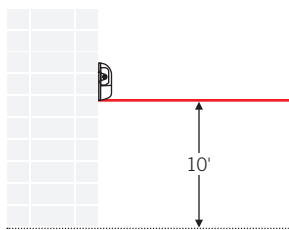
Zone	Lumens	% Luminaire
<b>Forward Light</b>	1,653 lm	64.0%
0°-30°	379 lm	14.7%
30°-60°	758 lm	29.4%
60°-80°	400 lm	15.5%
80°-90°	116 lm	4.5%
<b>Back Light</b>	667 lm	25.8%
0°-30°	264 lm	10.2%
30°-60°	283 lm	11.0%
60°-80°	97 lm	3.8%
80°-90°	23 lm	0.9%
<b>Up Light</b>	261 lm	10.1%
90°-100°	92 lm	3.5%
100°-180°	170 lm	6.6%

BUG* Rating	
<b>Asymmetrical Luminaire Types</b>	
Type I, II, III, IV	B1 U3 G1
<b>Quadrilateral Symmetrical Luminaire Types</b>	
Type V, Area Light	B1 U3 G1

\* Backlight, Uplight, Glare

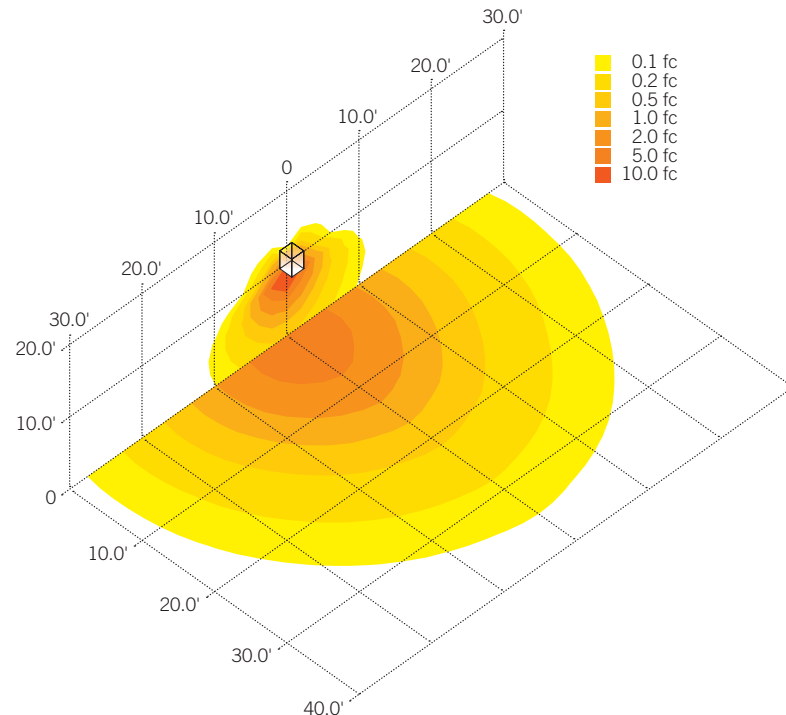
#### MOUNTING

Side view



#### LIGHT DISTRIBUTION PATTERN

Isometric view from above; Luminaire mounted at 10'

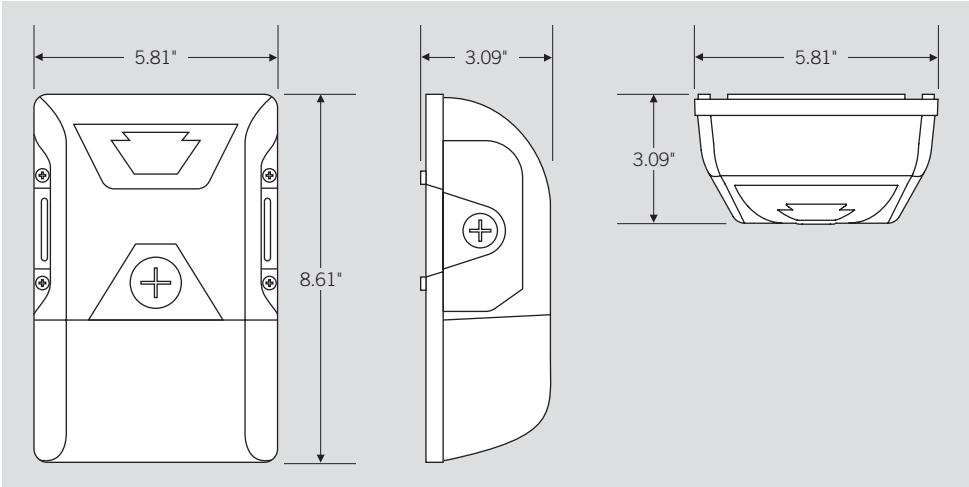




# XFIT | SMALL LOW PROFILE WALL PACK FIXTURES

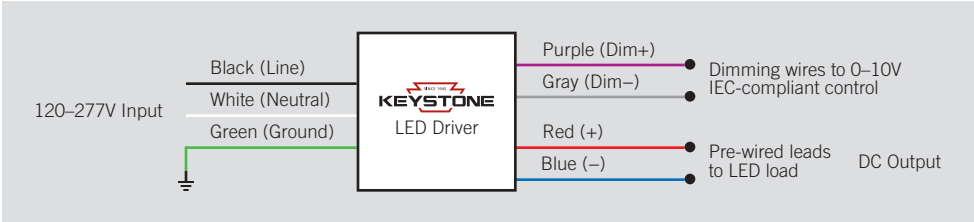
## KT-WPLED20-S1-8CSB-VDIM SMALL 20W NON-CUTOFF LED WALL PACK

### PHYSICAL SPECIFICATIONS



### GENERAL SETUP INSTRUCTIONS

#### GENERAL WIRING DIAGRAM



**Caution:** Before installing, make certain that AC power to the fixture is off.

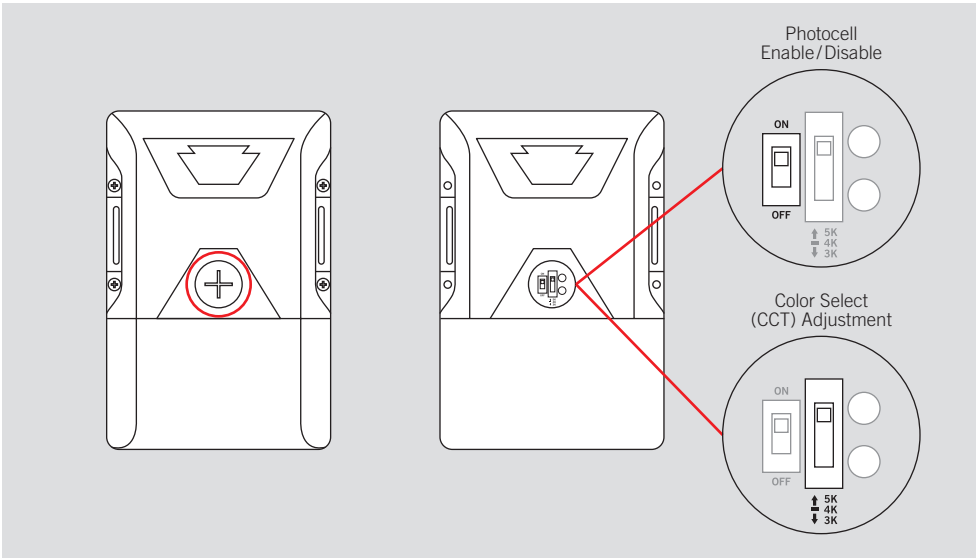
**Caution:** The electrical rating of this product is 120-277V. Installer must confirm that there is 120-277V at the fixture before installation.

#### PHOTOCELL ENABLE/DISABLE

This fixture is equipped with a dusk-to-dawn photocell behind the translucent knock-out (KO) cover. Adjust the dip switch to enable (ON) or disable (OFF) the photocell function (see illustrations to the right). Fixture comes preset with photocell enabled unless otherwise noted.

#### COLOR SELECT (CCT) ADJUSTMENT

Certain fixture models are equipped with Color Select technology. There is an adjustable dip switch behind the translucent knock-out (KO) cover to change CCT between 5000K, 4000K, and 3000K (see illustrations to the right). Fixture comes preset at 5000K unless otherwise noted.





# KT-WPLED20-S1-8CSB-VDIM

## SMALL 20W NON-CUTOFF LED WALL PACK

**ACCESSORY (SOLD SEPARATELY)**

Catalog Number	Description
KTSP-10KV-C	Wall Pack 10kV Surge Protector, Compact Design

**ORDERING INFORMATION**

CATALOG NUMBER	PACK QTY.	EASY CODE	UPC
KT-WPLED20-S1-8CSB-VDIM	1	XWA-37	843654129112

**CATALOG NUMBER BREAKDOWN**

# KT-WPLED20-S1-8CSB-VDIM

<b>1</b>	<b>2</b>	<b>3</b>	<b>4</b>	<b>5</b>	<b>6</b>	<b>7</b>	<b>8</b>	<b>9</b>	<b>10</b>	<b>11</b>	<b>12</b>																																												
<b>1 Keystone Technologies</b>	<b>2 Fixture Type</b>	<b>3 LED Lamp</b>	<b>4 Max Wattage</b>	<b>5 Size</b>	<b>6 Style</b>	<b>7 CRI</b>	<b>8 Color</b>	<b>9 Color Select Designation</b>	<b>10 0–10V Dimming</b>	<b>11 Housing Color</b>	<b>12 Sensor Options</b>																																												
	<table border="1" style="width: 100%;"> <tr><td>F</td><td>Flood</td></tr> <tr><td>WP</td><td>Wallpack</td></tr> </table>	F	Flood	WP	Wallpack			<table border="1" style="width: 100%;"> <tr><td>S</td><td>Small</td></tr> <tr><td>M</td><td>Medium</td></tr> <tr><td>L</td><td>Large</td></tr> </table>	S	Small	M	Medium	L	Large	<table border="1" style="width: 100%;"> <tr><td>1</td><td>Non-Cutoff</td></tr> <tr><td>2</td><td>Full-Cutoff</td></tr> </table>	1	Non-Cutoff	2	Full-Cutoff	<table border="1" style="width: 100%;"> <tr><td>8</td><td>&gt;80</td></tr> <tr><td>9</td><td>&gt;90</td></tr> </table>	8	>80	9	>90	<table border="1" style="width: 100%;"> <tr><td>40</td><td>4000K</td></tr> <tr><td>50</td><td>5000K</td></tr> <tr><td>CS</td><td>Color Select</td></tr> </table>	40	4000K	50	5000K	CS	Color Select	<table border="1" style="width: 100%;"> <tr><td>A</td><td>3500K, 4000K, 5000K</td></tr> <tr><td>B</td><td>3000K, 4000K, 5000K</td></tr> <tr><td>C</td><td>3000K, 3500K, 4000K, 5000K</td></tr> <tr><td>D</td><td>TBD</td></tr> </table>	A	3500K, 4000K, 5000K	B	3000K, 4000K, 5000K	C	3000K, 3500K, 4000K, 5000K	D	TBD	<table border="1" style="width: 100%;"> <tr><td>VDIM</td><td>0–10V</td></tr> </table>	VDIM	0–10V	<table border="1" style="width: 100%;"> <tr><td></td><td>Bronze</td></tr> <tr><td>B</td><td>Black</td></tr> <tr><td>W</td><td>White</td></tr> </table>		Bronze	B	Black	W	White	<table border="1" style="width: 100%;"> <tr><td></td><td>No option</td></tr> <tr><td>/MW</td><td>Microwave occupancy Sensor Installed</td></tr> </table>		No option	/MW	Microwave occupancy Sensor Installed
F	Flood																																																						
WP	Wallpack																																																						
S	Small																																																						
M	Medium																																																						
L	Large																																																						
1	Non-Cutoff																																																						
2	Full-Cutoff																																																						
8	>80																																																						
9	>90																																																						
40	4000K																																																						
50	5000K																																																						
CS	Color Select																																																						
A	3500K, 4000K, 5000K																																																						
B	3000K, 4000K, 5000K																																																						
C	3000K, 3500K, 4000K, 5000K																																																						
D	TBD																																																						
VDIM	0–10V																																																						
	Bronze																																																						
B	Black																																																						
W	White																																																						
	No option																																																						
/MW	Microwave occupancy Sensor Installed																																																						