



KT-FLED100-R1A-UNV-8CSB-VDIM

COMPACT 100W GENERAL-PURPOSE LED FLOOD LIGHT

DESCRIPTION

Compact 100W General-Purpose LED Flood Light | 120–277V
 Input | 3000–5000K | Bronze Housing | Multiple Mounting
 Options

APPLICATION

Building Mount or Ground Mount for outdoor illumination
 (landscapes, display signage, loading docks,
 building façades, pathways, parking areas, and
 other general site lighting requirements)



PRODUCT FEATURES

- Uniform, wide flood design (NEMA 7h x 7w distribution pattern)
- Heavy-duty, die cast aluminum housing featuring built-in glare visor and tempered glass lens
- Powered by Keystone 0–10V dimming LED drivers
- Keystone Color Select Technology: Adjustable CCT (3000K, 4000K, or 5000K)
- Built-in dusk-to-dawn photocell behind translucent 3/4" threaded plug with anti-yellowing agent
- Heavy-duty slip fitter mount and trunnion mount options included
- Ambient operating temperature: –40°C/–40°F to 45°C/113°F
- UL listed for wet locations, IP65
- 0–10V dimming, 10% min
- Power Factor: >0.95
- THD: <20%
- LED chip lifetime: L70 >100,000 hrs @ 25°C/77°F ambient fixture temp
- Meets FCC Part 15, Part B, Class A standards for conducted and radiated emissions
- 18" input cable, pre-stripped
- Fixture impact rating IK07

ELECTRICAL SPECIFICATIONS

Catalog Number	Wattage	Lumens	Dimming	CCT*	Efficacy	CRI	Housing Color	Mounting	Input Voltage	Rated Life	Legacy Equivalent
KT-FLED100-R1A-UNV-8CSB-VDIM	100W	12200 lm	0–10V	3000K	122 lm/W	>80	Bronze	Universal: 2 3/8" Slip fitter or trunnion	120–277V	50,000 hrs	400W MH
		14300 lm		4000K	143 lm/W						
		13400 lm		5000K	134 lm/W						

* Color Uniformity: CCT (Correlated Color Temperature) range as per guidelines outlined in ANSI C78.377-2017

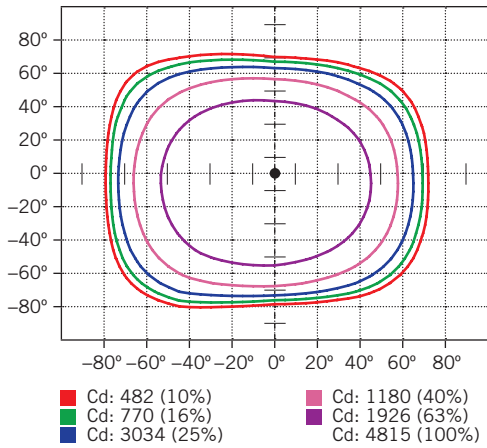


KT-FLED100-R1A-UNV-8CSB-VDIM

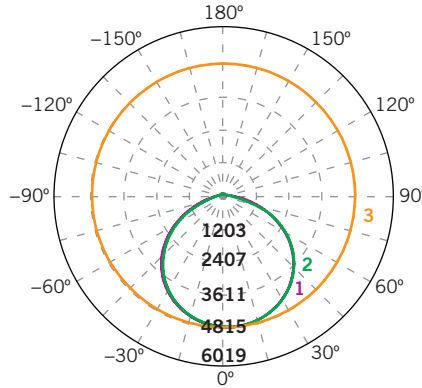
COMPACT 100W GENERAL-PURPOSE LED FLOOD LIGHT

PHOTOMETRIC SPECIFICATIONS

ISOCANDELA PLOT



LUMINOUS INTENSITY DISTRIBUTION



Average diffuse angle (50%): **114.2°**

- 1 Violet C0-C180
 - 2 Green C90-C270
 - 3 Orange G2
- Unit: cd

FLUX DISTRIBUTION

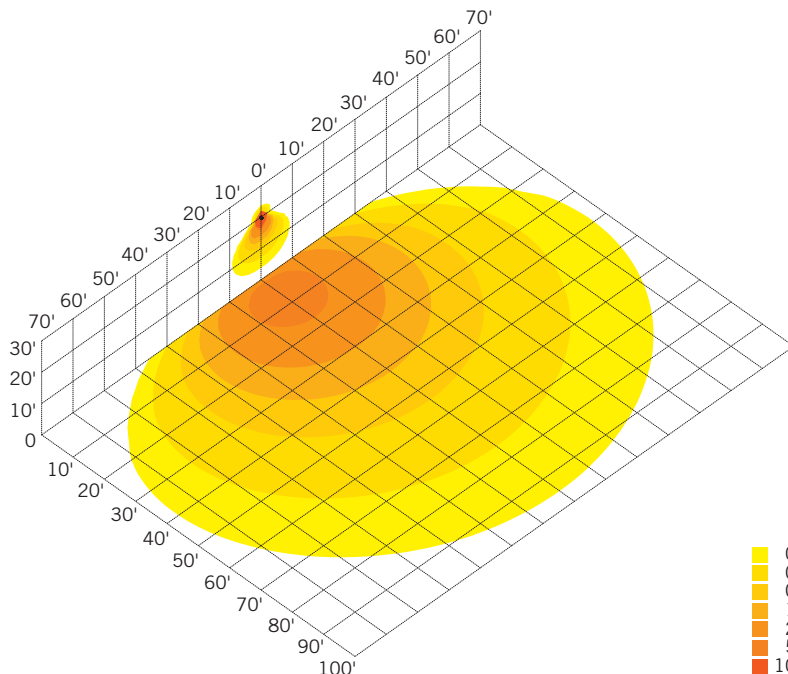
Zone	Lumens	% Luminaire
Forward Light	6,890 lm	51.7%
0°-30°	1,901 lm	14.3%
30°-60°	3,804 lm	28.5%
60°-80°	1,156 lm	8.7%
80°-90°	28 lm	0.2%
Back Light	6,331 lm	47.5%
0°-30°	1,864 lm	14.0%
30°-60°	3,550 lm	26.6%
60°-80°	899 lm	6.7%
80°-90°	17 lm	0.1%
Up Light	106 lm	0.8%
90°-100°	6 lm	0.0%
100°-180°	100 lm	0.8%

BUG* Rating	
Asymmetrical Luminaire Types	
Type I, II, III, IV	B3 U3 G2
Quadrilateral Symmetrical Luminaire Types	
Type V, Area Light	B3 U3 G1

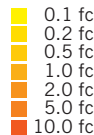
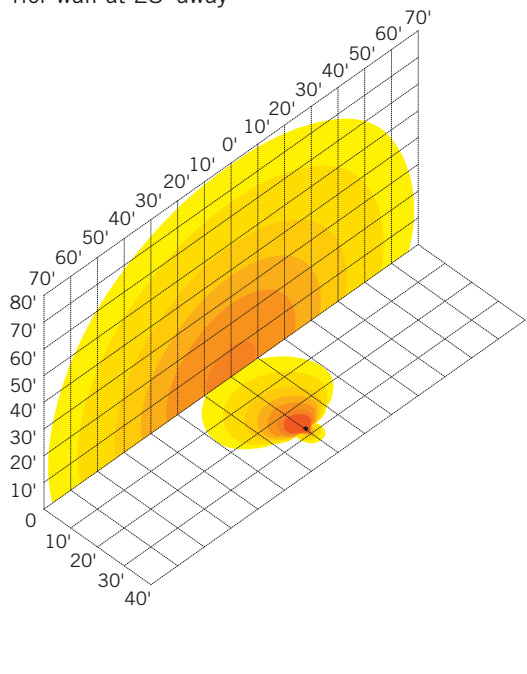
* Backlight, Uplight, Glare

LIGHT DISTRIBUTION PATTERNS (Isometric view from above)

Building exterior mounted at 20', 30° below horizontal

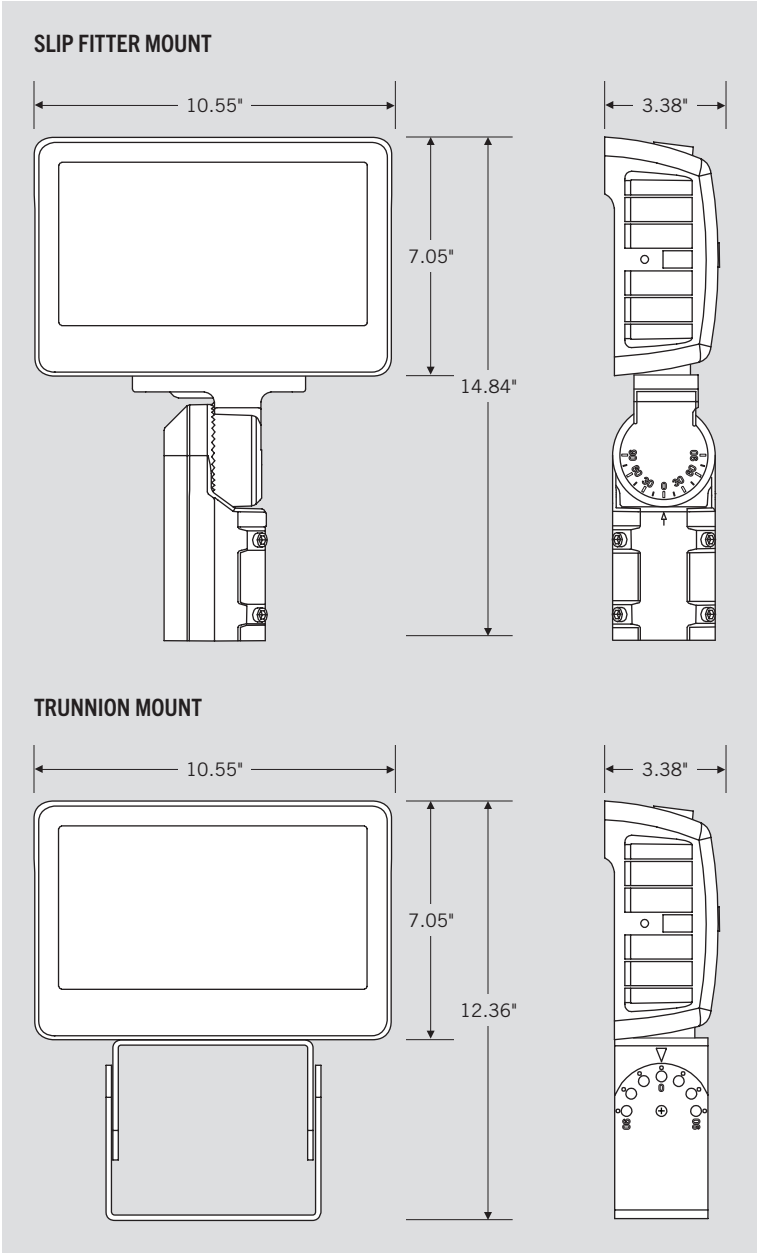


Ground mounted at 6" above ground, 10° above horizontal, shining towards building exterior wall at 28' away



KT-FLED100-R1A-UNV-8CSB-VDIM
COMPACT 100W GENERAL-PURPOSE LED FLOOD LIGHT

PHYSICAL SPECIFICATIONS



	EPA
Mounted Vertical	0.62 sq/ft
Mounted Horizontal	0.30 sq/ft
Mounted 45°	0.65 sq/ft

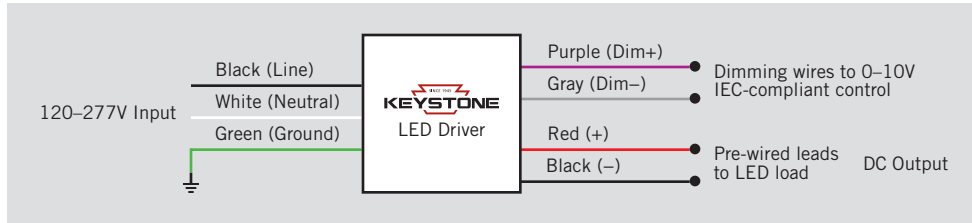


KT-FLED100-R1A-UNV-8CSB-VDIM

COMPACT 100W GENERAL-PURPOSE LED FLOOD LIGHT

GENERAL SETUP INSTRUCTIONS

GENERAL WIRING DIAGRAM



Caution: Before installing, make certain that AC power to the fixture is off.

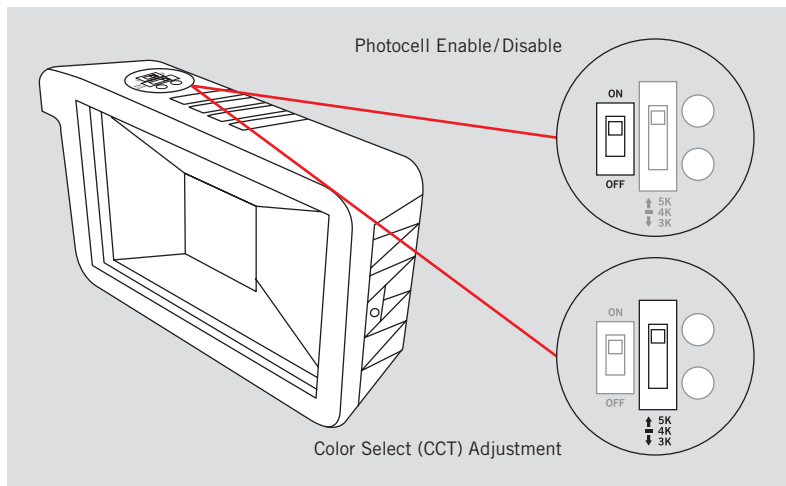
Caution: The electrical rating of this product is 120-277V. Installer must confirm that there is 120-277V at the fixture before installation.

PHOTOCELL ENABLE/DISABLE

This fixture is equipped with a dusk-to-dawn photocell behind the translucent knock-out (KO) cover. Adjust the dip switch to enable (ON) or disable (OFF) the photocell function (see illustrations to the right). Fixture comes preset with photocell enabled unless otherwise noted.

COLOR SELECT (CCT) ADJUSTMENT

This fixture is equipped with Color Select technology. There is an adjustable dip switch behind the translucent knock-out (KO) cover to change CCT between 5000K, 4000K, and 3000K (see illustrations to the right). Fixture comes preset at 5000K unless otherwise noted.



ORDERING INFORMATION

CATALOG NUMBER	PACK QTY.	EASY CODE	UPC
KT-FLED100-R1A-UNV-8CSB-VDIM	1	JDK-34	843654129006



XFIT

FLOOD LIGHT FIXTURES

KT-FLED100-R1A-UNV-8CSB-VDIM

COMPACT 100W GENERAL-PURPOSE LED FLOOD LIGHT

CATALOG NUMBER BREAKDOWN

KT-FLED100-R1A-UNV-8CSB-VDIM

1	2	3	4	5	6	7	8	9	10	11	12	13																																												
1 Keystone Technologies	2 Fixture Type	3 LED Lamp	4 Max Wattage	5 Shape	6 Style	7 Distribution	8 Mounting	9 CRI	10 Color	11 Color Select Designation	12 Dimming	13 Housing Color																																												
	<table border="1"> <tr> <td>F</td> <td>Flood</td> </tr> <tr> <td>WP</td> <td>Wallpack</td> </tr> </table>	F	Flood	WP	Wallpack			<table border="1"> <tr> <td>R</td> <td>Rectangular</td> </tr> </table>	R	Rectangular	<table border="1"> <tr> <td>1</td> <td>Non-Cutoff</td> </tr> <tr> <td>2</td> <td>Full-Cutoff</td> </tr> </table>	1	Non-Cutoff	2	Full-Cutoff	<table border="1"> <tr> <td>A</td> <td>Wide (7 × 7)</td> </tr> <tr> <td>B</td> <td>Narrow</td> </tr> <tr> <td>C</td> <td>Very Narrow</td> </tr> </table>	A	Wide (7 × 7)	B	Narrow	C	Very Narrow	<table border="1"> <tr> <td>UNV</td> <td>Universal</td> </tr> </table>	UNV	Universal	<table border="1"> <tr> <td>8</td> <td>>80</td> </tr> <tr> <td>9</td> <td>>90</td> </tr> </table>	8	>80	9	>90	<table border="1"> <tr> <td>40</td> <td>4000K</td> </tr> <tr> <td>50</td> <td>5000K</td> </tr> <tr> <td>CS</td> <td>Color Select</td> </tr> </table>	40	4000K	50	5000K	CS	Color Select	<table border="1"> <tr> <td>A</td> <td>3500K, 4000K, 5000K</td> </tr> <tr> <td>B</td> <td>3000K, 4000K, 5000K</td> </tr> <tr> <td>C</td> <td>3000K, 3500K, 4000K, 5000K</td> </tr> <tr> <td>D</td> <td>TBD</td> </tr> </table>	A	3500K, 4000K, 5000K	B	3000K, 4000K, 5000K	C	3000K, 3500K, 4000K, 5000K	D	TBD	<table border="1"> <tr> <td>VDIM</td> <td>0-10V</td> </tr> </table>	VDIM	0-10V	<table border="1"> <tr> <td></td> <td>Bronze</td> </tr> <tr> <td>B</td> <td>Black</td> </tr> <tr> <td>W</td> <td>White</td> </tr> </table>		Bronze	B	Black	W	White
F	Flood																																																							
WP	Wallpack																																																							
R	Rectangular																																																							
1	Non-Cutoff																																																							
2	Full-Cutoff																																																							
A	Wide (7 × 7)																																																							
B	Narrow																																																							
C	Very Narrow																																																							
UNV	Universal																																																							
8	>80																																																							
9	>90																																																							
40	4000K																																																							
50	5000K																																																							
CS	Color Select																																																							
A	3500K, 4000K, 5000K																																																							
B	3000K, 4000K, 5000K																																																							
C	3000K, 3500K, 4000K, 5000K																																																							
D	TBD																																																							
VDIM	0-10V																																																							
	Bronze																																																							
B	Black																																																							
W	White																																																							