



# XFIT | FLOOD LIGHT FIXTURES

## KT-FLED15-R1A-UNV-8CSB-VDIM-W COMPACT 15W GENERAL-PURPOSE LED FLOOD LIGHT

### DESCRIPTION

Compact 15W General-Purpose LED Flood Light | 120–277V  
Input | 3000–5000K | White Housing | Multiple Mounting Options

### APPLICATION

Building Mount or Ground Mount for outdoor illumination (landscapes, display signage, loading docks, building façades, pathways, parking areas, and other general site lighting requirements)



### PRODUCT FEATURES

- Uniform, wide flood design (NEMA 7h x 7w distribution pattern)
- Heavy-duty, die cast aluminum housing featuring built-in glare visor and tempered glass lens
- Powered by Keystone 0–10V dimming LED drivers
- Keystone Color Select Technology: Adjustable CCT (3000K, 4000K, or 5000K)
- Built-in dusk-to-dawn photocell behind translucent 3/4" threaded plug with anti-yellowing agent
- Heavy-duty 1/2" knuckle mount with 90° adjustment and yoke mount options included
- Ambient operating temperature: –30°C/–22°F to 45°C/113°F
- UL listed for wet locations, IP65
- 0–10V dimming, 10% min
- Power Factor: >0.95
- THD: <20%
- LED chip lifetime: L70 >100,000 hrs @ 25°C/77°F ambient fixture temp
- Meets FCC Part 15, Part B, Class A standards for conducted and radiated emissions
- 18" input cable, pre-stripped
- Fixture impact rating IK06

### ELECTRICAL SPECIFICATIONS

Catalog Number	Wattage	Lumens	Dimming	CCT*	Efficacy	CRI	Housing Color	Mounting	Input Voltage	Rated Life	Legacy Equivalent
KT-FLED15-R1A-UNV-8CSB-VDIM-W	15W	1920 lm	0–10V	3000K	128 lm/W	>80	White	Universal: 1/2" Knuckle or yoke	120–277V	50,000 hrs	70W MH
		2175 lm		4000K	145 lm/W						
		2100 lm		5000K	140 lm/W						

\* Color Uniformity: CCT (Correlated Color Temperature) range as per guidelines outlined in ANSI C78.377-2017

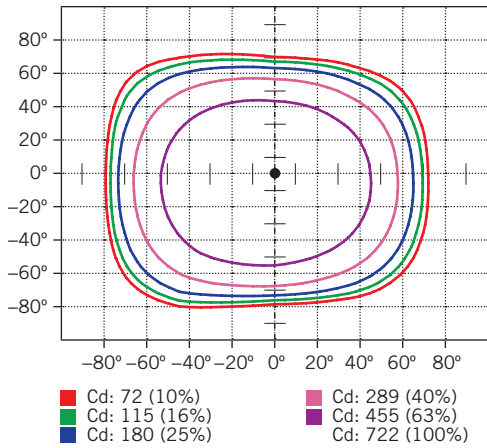


# KT-FLED15-R1A-UNV-8CSB-VDIM-W

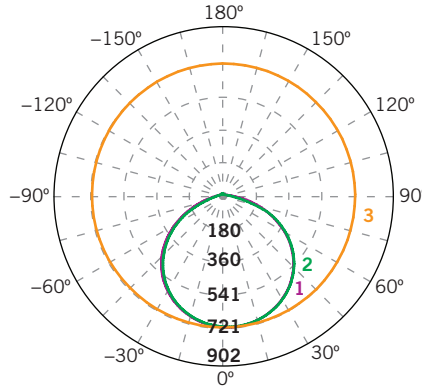
## COMPACT 15W GENERAL-PURPOSE LED FLOOD LIGHT

### PHOTOMETRIC SPECIFICATIONS

#### ISOCANDELA PLOT



#### LUMINOUS INTENSITY DISTRIBUTION



Average diffuse angle (50%): **114.0°**

- 1 Violet C0-C180
  - 2 Green C90-C270
  - 3 Orange G6
- Unit: cd

#### FLUX DISTRIBUTION

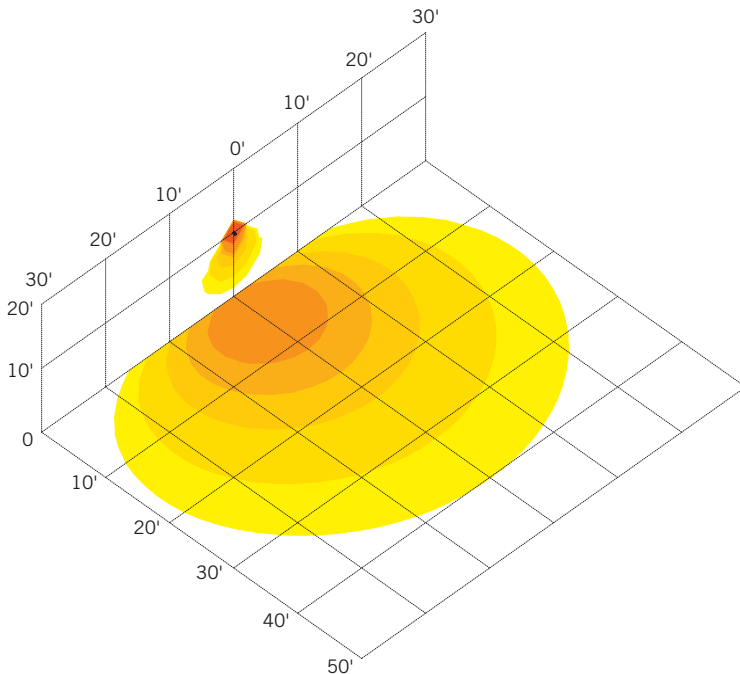
Zone	Lumens	% Luminaire
<b>Forward Light</b>	1,093 lm	53.7%
0°-30°	287 lm	14.1%
30°-60°	585 lm	28.7%
60°-80°	214 lm	10.5%
80°-90°	7 lm	0.4%
<b>Back Light</b>	925 lm	45.5%
0°-30°	277 lm	13.6%
30°-60°	513 lm	25.2%
60°-80°	134 lm	6.6%
80°-90°	2 lm	0.1%
<b>Up Light</b>	16 lm	0.8%
90°-100°	1 lm	0.0%
100°-180°	15 lm	0.7%

BUG* Rating	
<b>Asymmetrical Luminaire Types</b>	
Type I, II, III, IV	B1 U2 G1
<b>Quadrilateral Symmetrical Luminaire Types</b>	
Type V, Area Light	B1 U2 G0

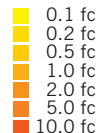
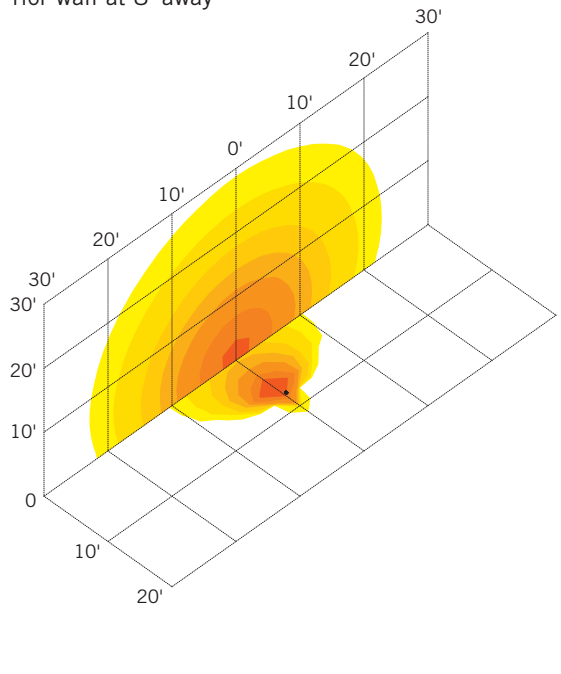
\* Backlight, Uplight, Glare

#### LIGHT DISTRIBUTION PATTERNS (Isometric view from above)

Building exterior mounted at  
10', 30° below horizontal



Ground mounted at 6" above ground,  
10° above horizontal, shining towards building exterior wall at 8' away



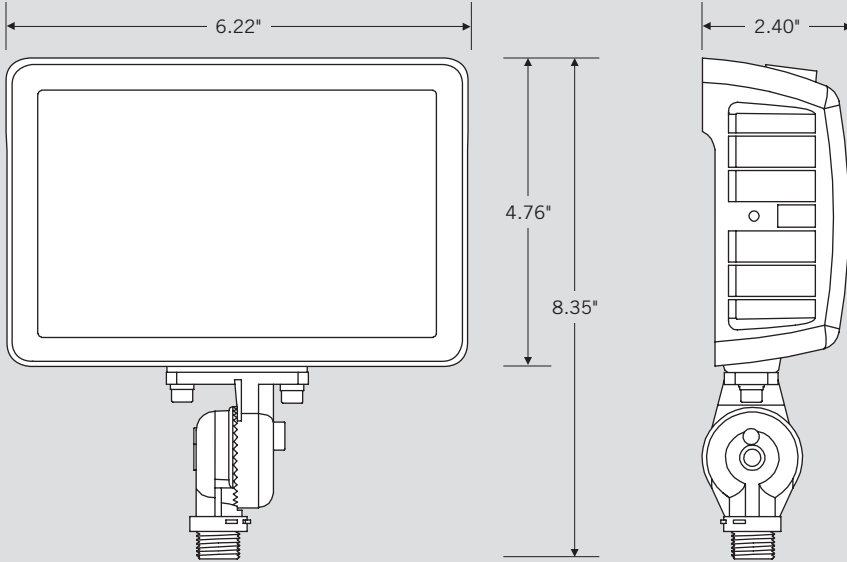


# KT-FLED15-R1A-UNV-8CSB-VDIM-W

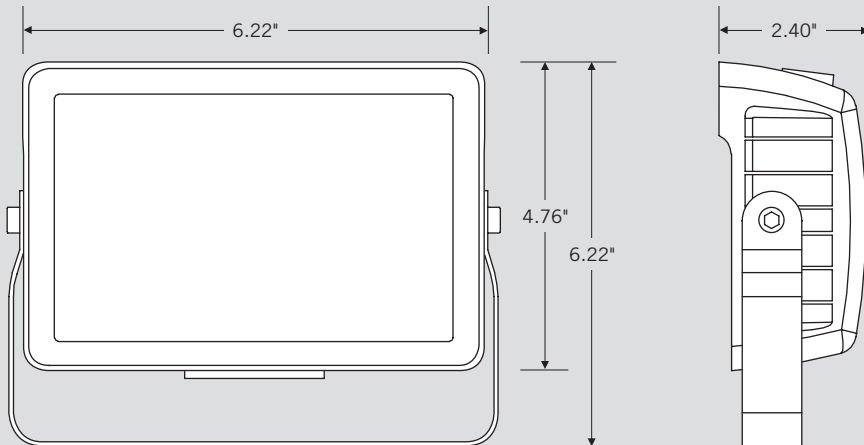
## COMPACT 15W GENERAL-PURPOSE LED FLOOD LIGHT

### PHYSICAL SPECIFICATIONS

#### KNUCKLE MOUNT



#### YOKE MOUNT



	EPA
Mounted Vertical	0.25 sq/ft
Mounted Horizontal	0.12 sq/ft
Mounted 45°	0.26 sq/ft

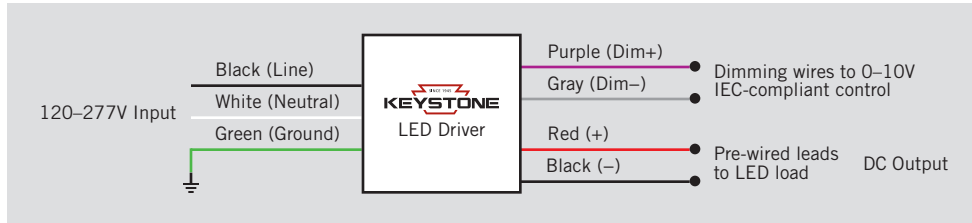


# KT-FLED15-R1A-UNV-8CSB-VDIM-W

## COMPACT 15W GENERAL-PURPOSE LED FLOOD LIGHT

### GENERAL SETUP INSTRUCTIONS

#### GENERAL WIRING DIAGRAM



**Caution:** Before installing, make certain that AC power to the fixture is off.

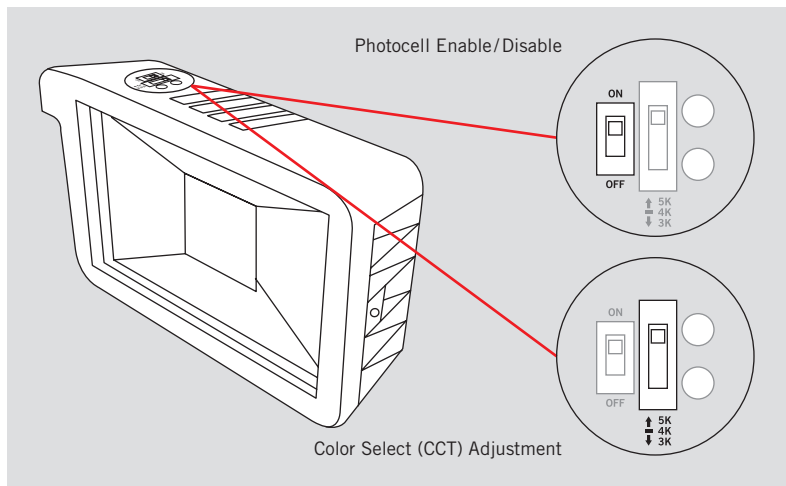
**Caution:** The electrical rating of this product is 120-277V. Installer must confirm that there is 120-277V at the fixture before installation.

#### PHOTOCELL ENABLE/DISABLE

This fixture is equipped with a dusk-to-dawn photocell behind the translucent knock-out (KO) cover. Adjust the dip switch to enable (ON) or disable (OFF) the photocell function (see illustrations to the right). Fixture comes preset with photocell enabled unless otherwise noted.

#### COLOR SELECT (CCT) ADJUSTMENT

This fixture is equipped with Color Select technology. There is an adjustable dip switch behind the translucent knock-out (KO) cover to change CCT between 5000K, 4000K, and 3000K (see illustrations to the right). Fixture comes preset at 5000K unless otherwise noted.



### ACCESSORIES (SOLD SEPARATELY)

Catalog Number	Description
KT-FLED-SM-1-KIT	Flood Light Wall Mount Kit
KT-FLED-RC-4-W	4" Round Flood Light Junction Box Cover, White
KT-FLED-RC-4	4" Round Flood Light Junction Box Cover, Bronze



# XFIT

# FLOOD LIGHT FIXTURES

## KT-FLED15-R1A-UNV-8CSB-VDIM-W

COMPACT 15W GENERAL-PURPOSE LED FLOOD LIGHT

### ORDERING INFORMATION

CATALOG NUMBER	PACK QTY.	EASY CODE	UPC
KT-FLED15-R1A-UNV-8CSB-VDIM-W	1	NTS-16	843654128955

### CATALOG NUMBER BREAKDOWN

# KT-FLED15-R1A-UNV-8CSB-VDIM-W

1	2	3	4	5	6	7	8	9	10	11	12	13																
<b>1</b> Keystone Technologies	<b>2</b> Fixture Type	<b>3</b> LED Lamp	<b>4</b> Max Wattage	<b>5</b> Shape	<b>6</b> Style	<b>7</b> Distribution	<b>8</b> Mounting	<b>9</b> CRI	<b>10</b> Color	<b>11</b> Color Select Designation	<b>12</b> Dimming	<b>13</b> Housing Color																
	<table border="1"> <tr> <td>F</td> <td>Flood</td> <td>R</td> <td>Rectangular</td> </tr> <tr> <td>WP</td> <td>Wallpack</td> <td></td> <td></td> </tr> </table>	F	Flood	R	Rectangular	WP	Wallpack					<table border="1"> <tr> <td>1</td> <td>Non-Cutoff</td> </tr> <tr> <td>2</td> <td>Full-Cutoff</td> </tr> </table>	1	Non-Cutoff	2	Full-Cutoff												
F	Flood	R	Rectangular																									
WP	Wallpack																											
1	Non-Cutoff																											
2	Full-Cutoff																											
						<table border="1"> <tr> <td>A</td> <td>Wide (7 × 7)</td> <td>UNV</td> <td>Universal</td> </tr> <tr> <td>B</td> <td>Narrow</td> <td></td> <td></td> </tr> <tr> <td>C</td> <td>Very Narrow</td> <td></td> <td></td> </tr> </table>	A	Wide (7 × 7)	UNV	Universal	B	Narrow			C	Very Narrow			<table border="1"> <tr> <td>8</td> <td>&gt;80</td> </tr> <tr> <td>9</td> <td>&gt;90</td> </tr> </table>	8	>80	9	>90					
A	Wide (7 × 7)	UNV	Universal																									
B	Narrow																											
C	Very Narrow																											
8	>80																											
9	>90																											
									<table border="1"> <tr> <td>40</td> <td>4000K</td> <td>A</td> <td>3500K, 4000K, 5000K</td> </tr> <tr> <td>50</td> <td>5000K</td> <td>B</td> <td>3000K, 4000K, 5000K</td> </tr> <tr> <td>CS</td> <td>Color Select</td> <td>C</td> <td>3000K, 3500K, 4000K, 5000K</td> </tr> <tr> <td></td> <td></td> <td>D</td> <td>TBD</td> </tr> </table>	40	4000K	A	3500K, 4000K, 5000K	50	5000K	B	3000K, 4000K, 5000K	CS	Color Select	C	3000K, 3500K, 4000K, 5000K			D	TBD			
40	4000K	A	3500K, 4000K, 5000K																									
50	5000K	B	3000K, 4000K, 5000K																									
CS	Color Select	C	3000K, 3500K, 4000K, 5000K																									
		D	TBD																									
												<table border="1"> <tr> <td>VDIM</td> <td>0-10V</td> <td></td> <td>Bronze</td> </tr> <tr> <td></td> <td></td> <td>B</td> <td>Black</td> </tr> <tr> <td></td> <td></td> <td>W</td> <td>White</td> </tr> </table>	VDIM	0-10V		Bronze			B	Black			W	White				
VDIM	0-10V		Bronze																									
		B	Black																									
		W	White																									