



KT-RKIT28AC-7C-9XX-FDIM

AC LED LIGHT ENGINE



DESCRIPTION

90 CRI AC LED Light Engine



PRODUCT FEATURES

- L70 > 50,000 hours
- Operating temperature: -18°C/0°F to 40°C/104°F
- UL Classified
- High factor: >.90
- Seoul LEDs
- Suitable for fully enclosed fixtures
- THD: <20%
- 5% minimum dimming, low flicker
- Comes with mounting accessories
- Pre-assembled with metal heatsink 5VA cover
- T24 JA8 Compliant (2700K, 3000K, and 4000K only)

PERFORMANCE SPECIFICATIONS

Size	Catalog Number	Color Temp	CRI	Wattage	Lumens	Efficacy	Input Voltage	Dimming Method
7" Round	KT-RKIT28AC-7C-927-FDIM	2700K	> 90	28W	2,046 lm	74 lm/W	120V	Phase Control
	KT-RKIT28AC-7C-930-FDIM	3000K	> 90	28W	2,160 lm	80 lm/W	120V	Phase Control
	KT-RKIT28AC-7C-940-FDIM	4000K	> 90	28W	2,220 lm	82 lm/W	120V	Phase Control
	KT-RKIT28AC-7C-950-FDIM	5000K	> 90	28W	2,280 lm	83 lm/W	120V	Phase Control

COMPATIBLE DIMMERS

Manufacturer	Model Number
Lutron	S-600PR-WH
Lutron	TGCL-153PH-WH
Lutron	MACL-153MH-LA
Leviton	WA-RXX-06674-12A

EQUIVALENCES

- 2 x 75W Incandescent
- 2 x 18W CFL
- 32W T9 Circline
- **Designed for 13" Ceiling Mount**

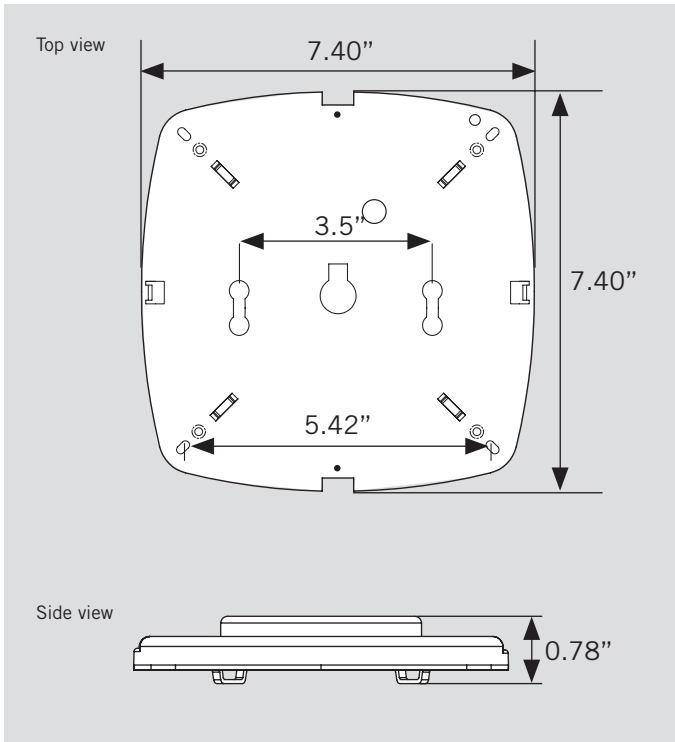
For questions about additional dimmer compatibility, please contact Keystone.

KT-RKIT28AC-7C-9XX-FDIM

AC LED LIGHT ENGINE

PHYSICAL SPECIFICATIONS

3" ROUND LIGHT ENGINE



CATALOG NUMBER BREAKDOWN

KT-RKIT28AC-7C-9XX-FDIM

1 2 3 4 5 6 7 8

- 1 Keystone Technologies
- 2 Future Fit Kit
- 3 Wattage
- 4 Alternating Current
- 5 Size (7" Circular)
- 6 90 CRI
- 7 Color Temperature
- 8 Phase Control Dimming