



KT-DDPTLEDT8-22-2L

2', 2-LAMP TROFFER FIXTURE

DESCRIPTION

2x2 LED Tube ready troffer fixture, 2 lamp. (lamps sold separately)



APPLICATION

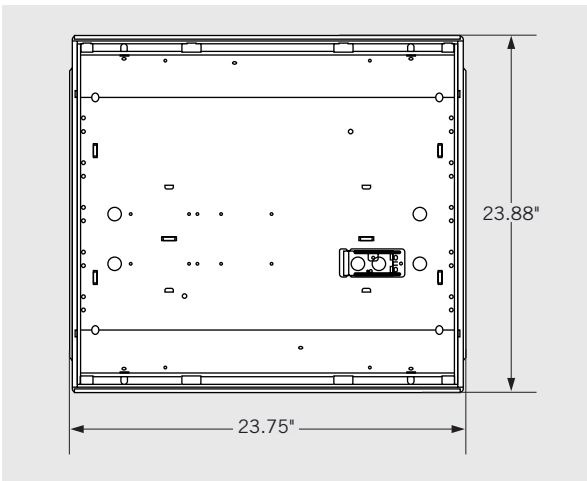
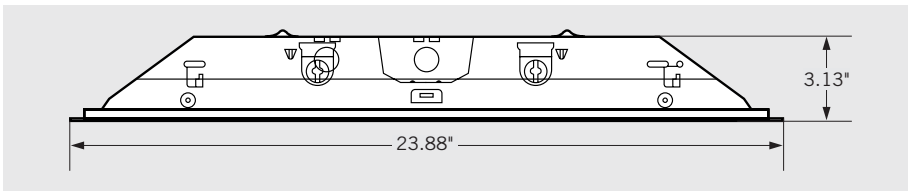
Used for indoor highbay, lowbay, warehouse and general lighting applications.

PRODUCT FEATURES

- Designed for use with Single Ended Wiring (Type B) LED T8 tubes
- Post painted white steel body with mirror reflector
- Rated for dry & damp locations
- For use with Keystone Single Ended Wiring Direct Drive LED lamps: 9W Max per lamp
- Prismatic Diffuser made of high quality PMMA



PRODUCT DIMENSIONS





KT-DDPTLEDT8-22-2L

2', 2-LAMP TROFFER FIXTURE

ORDERING INFORMATION

ORDER CODE	PACK QTY.	EASY CODE	UPC
KT-DDPTLEDT8-22-2L	1	SRR-41	843654130811

CATALOG NUMBER BREAKDOWN

KT-DDPTLEDT8-22-2L

1 2 3 4 5 6 7

- | | |
|-------------------------|------------------------|
| 1 Keystone Technologies | 5 Lamp Type |
| 2 Direct Drive | 6 2' x 2' Nominal Size |
| 3 Prismatic Troffer | 7 2 Lamps |
| 4 LED Lamp | |

Note: In order for UL safety certification to be valid, only Keystone lamps may be installed in the fixture as per product label.