



KT-DDSLEDT8-8-2L

8', 2-LAMP STRIP FIXTURE



DESCRIPTION

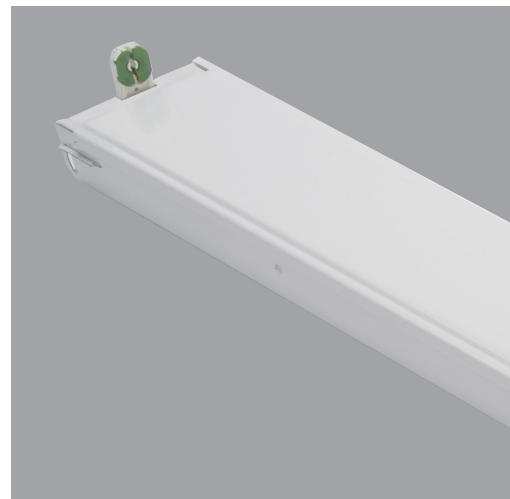
8' LED tube ready strip fixture, 2 lamp. (lamps sold separately)

APPLICATION

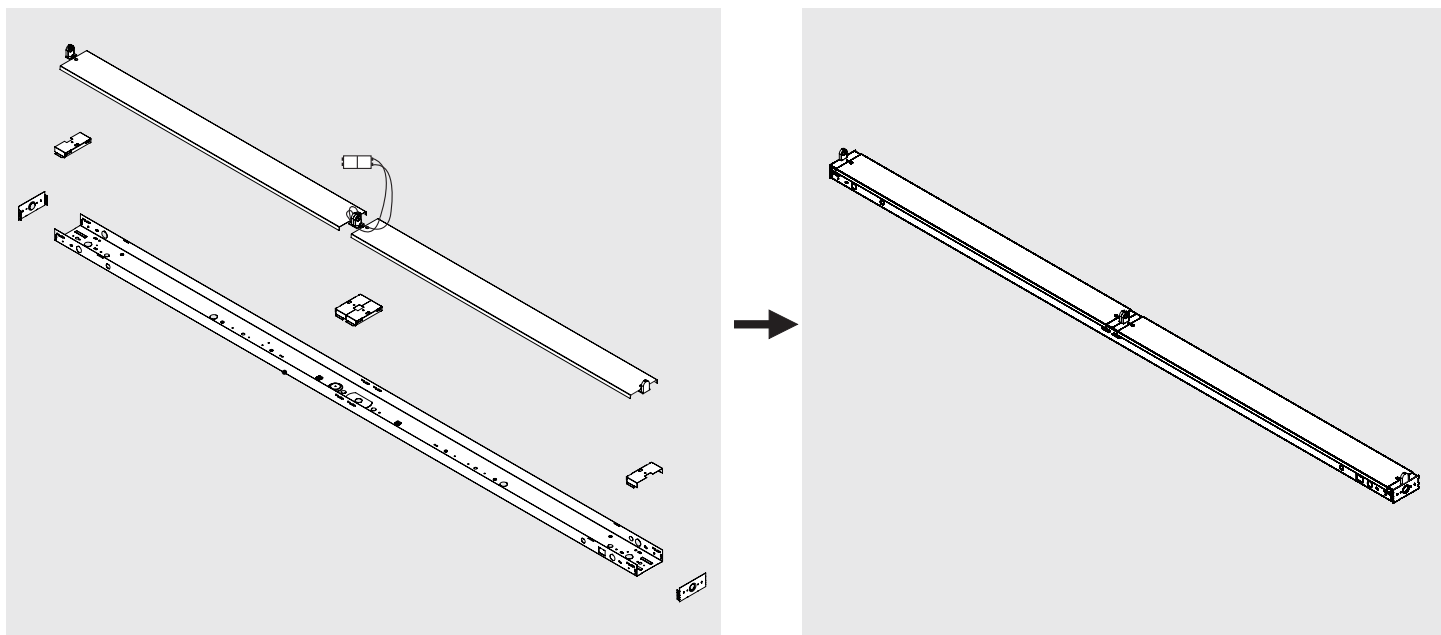
Used for indoor highbay, lowbay, warehouse and general lighting applications.

PRODUCT FEATURES

- Designed for use with single ended wiring (type B) LED T8 tubes; includes pre-wired sockets
- Post painted white steel body
- Rated for dry and damp locations
- Designed only for use with Keystone single ended wiring DirectDrive LED lamps: 25W max per lamp



PRODUCT DIMENSIONS



Note: In order for UL safety certification to be valid, only Keystone lamps may be installed in the fixture as per product label.



KT-DDSLEDT8-8-2L

8', 2-LAMP STRIP FIXTURE

ORDERING INFORMATION

ORDER CODE	PACK QTY.	EASY CODE	UPC
KT-DDSLEDT8-8-2L	1	RRM-11	89094902014

CATALOG NUMBER BREAKDOWN

KT-DDSLEDT8-8-2L

1 2 3 4 5 6 7

- 1 Keystone Technologies
- 2 Direct Drive
- 3 Strip Fixture
- 4 LED Lamp
- 5 T8 Tubes
- 6 8' Nominal Size
- 7 2 Lamps