



# KT-FLED15-R1A-UNV-8CSB-VDIM-W

## COMPACT 15W GENERAL-PURPOSE LED FLOODLIGHT

**DESCRIPTION**

Compact 15W General-Purpose LED Floodlight | 120–277V Input  
 | 3000–5000K | White Housing | Multiple Mounting Options

**APPLICATION**

Building Mount or Ground Mount for outdoor illumination (landscapes, display signage, loading docks, building façades, pathways, parking areas, and other general site lighting requirements)



**PRODUCT FEATURES**

- Uniform, wide flood design (NEMA 7h x 7w distribution pattern)
- Heavy-duty, die cast aluminum housing featuring built-in glare visor and tempered glass lens
- Powered by Keystone 0–10V dimming LED drivers
- Keystone Color Select Technology: Adjustable CCT (3000K, 4000K, or 5000K)
- Built-in dusk-to-dawn photocell behind translucent 3/4" threaded plug with anti-yellowing agent
- Heavy-duty 1/2" knuckle mount with 90° adjustment and yoke mount options included
- Ambient operating temperature: –30°C/–22°F to 45°C/113°F
- UL listed for wet locations, IP65
- 0–10V dimming, 10% min
- Power Factor: >0.95
- THD: <20%
- LED chip lifetime: L70 >100,000 hrs @ 25°C/77°F ambient fixture temp
- Meets FCC Part 15, Part B, Class A standards for conducted and radiated emissions
- 18" input cable, pre-stripped
- Fixture impact rating IK06

**ELECTRICAL SPECIFICATIONS**

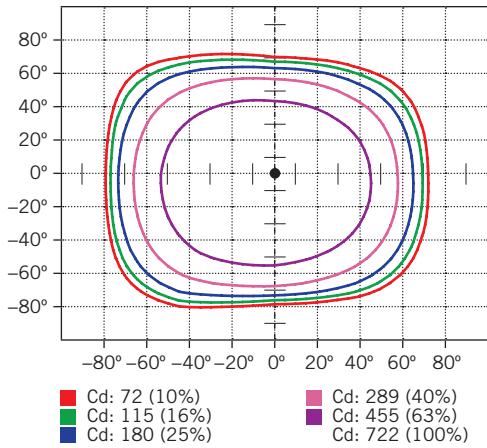
Catalog Number	Wattage	Lumens	Dimming	CCT*	Efficacy	CRI	Housing Color	Mounting	Input Voltage	Rated Life	Legacy Equivalent
KT-FLED15-R1A-UNV-8CSB-VDIM-W	15W	1920 lm	0–10V	3000K	128 lm/W	>80	White	Universal: 1/2" Knuckle or yoke	120–277V	50,000 hrs	70W MH
		2175 lm		4000K	145 lm/W						
		2100 lm		5000K	140 lm/W						

\* Color Uniformity: CCT (Correlated Color Temperature) range as per guidelines outlined in ANSI C78.377-2017

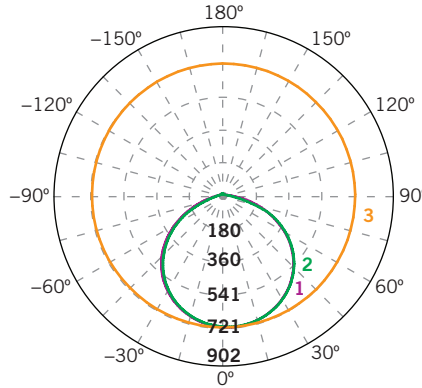
**KT-FLED15-R1A-UNV-8CSB-VDIM-W**  
COMPACT 15W GENERAL-PURPOSE LED FLOODLIGHT

**PHOTOMETRIC SPECIFICATIONS**

**ISOCANDELA PLOT**



**LUMINOUS INTENSITY DISTRIBUTION**



Average diffuse angle (50%): **114.0°**

- 1 Violet C0-C180
- 2 Green C90-C270
- 3 Orange G6

Unit: cd

**FLUX DISTRIBUTION**

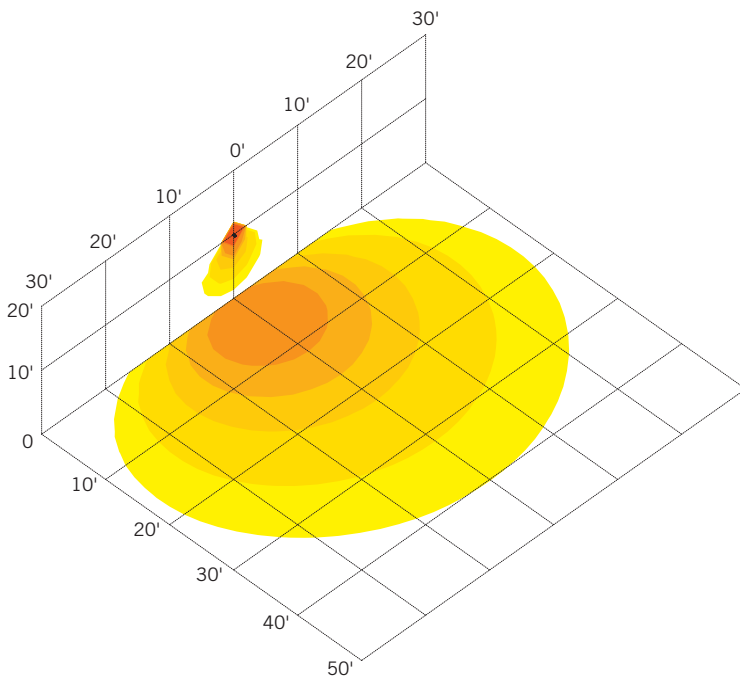
Zone	Lumens	% Luminaire
<b>Forward Light</b>	1,093 lm	53.7%
0°-30°	287 lm	14.1%
30°-60°	585 lm	28.7%
60°-80°	214 lm	10.5%
80°-90°	7 lm	0.4%
<b>Back Light</b>	925 lm	45.5%
0°-30°	277 lm	13.6%
30°-60°	513 lm	25.2%
60°-80°	134 lm	6.6%
80°-90°	2 lm	0.1%
<b>Up Light</b>	16 lm	0.8%
90°-100°	1 lm	0.0%
100°-180°	15 lm	0.7%

BUG* Rating	
Asymmetrical Luminaire Types	
Type I, II, III, IV	B1 U2 G1
Quadrilateral Symmetrical Luminaire Types	
Type V, Area Light	B1 U2 G0

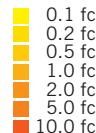
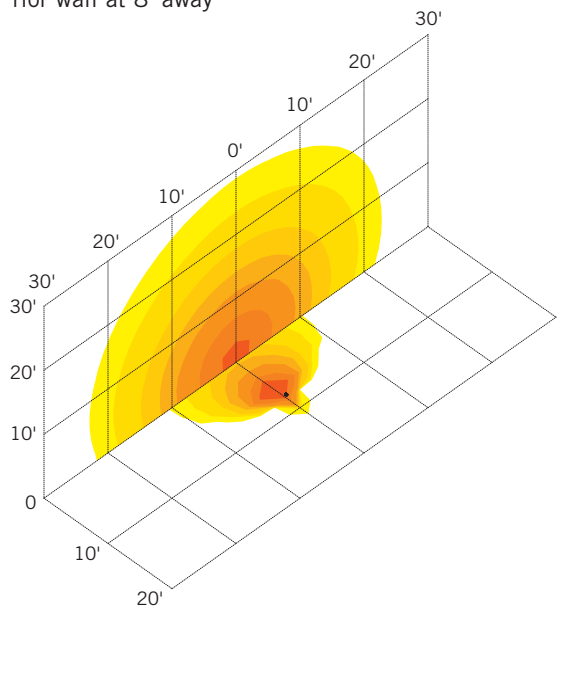
\* Backlight, Uplight, Glare

**LIGHT DISTRIBUTION PATTERNS (Isometric view from above)**

Building exterior mounted at  
10', 30° below horizontal



Ground mounted at 6" above ground,  
10° above horizontal, shining towards building exterior wall at 8' away



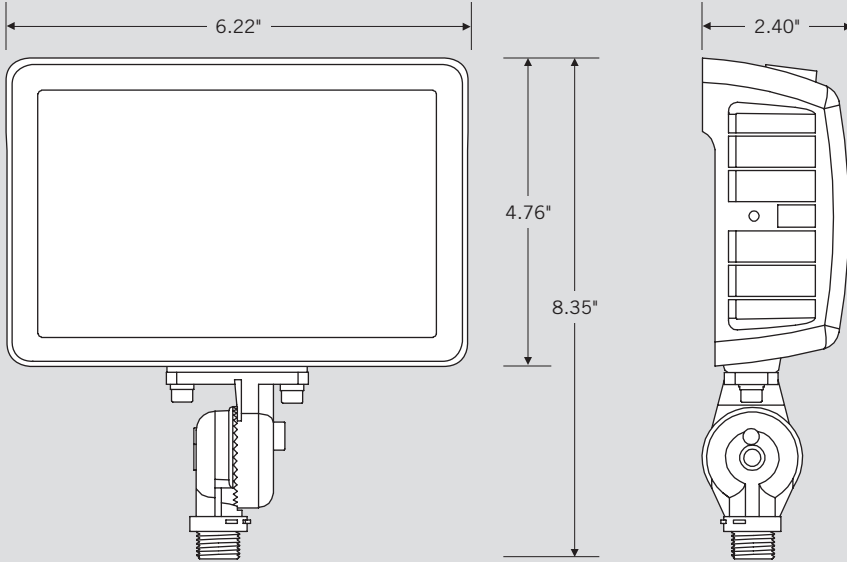


# KT-FLED15-R1A-UNV-8CSB-VDIM-W

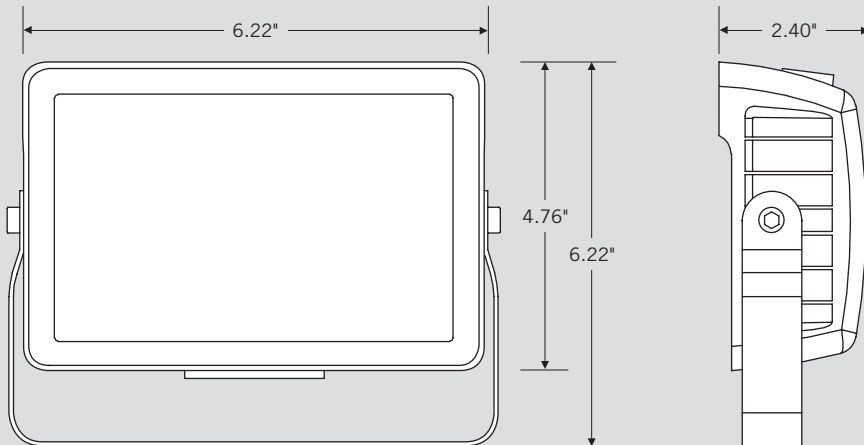
## COMPACT 15W GENERAL-PURPOSE LED FLOODLIGHT

### PHYSICAL SPECIFICATIONS

#### KNUCKLE MOUNT



#### YOKE MOUNT



	EPA
Mounted Vertical	0.25 sq/ft
Mounted Horizontal	0.12 sq/ft
Mounted 45°	0.26 sq/ft

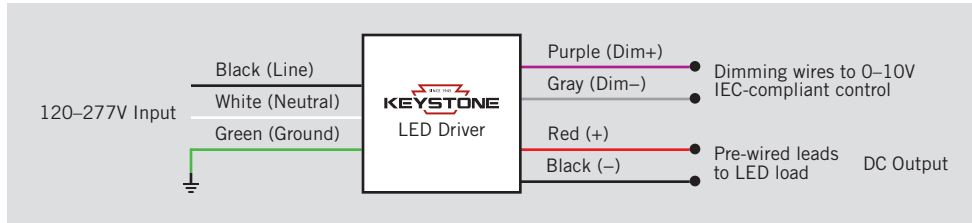


# KT-FLED15-R1A-UNV-8CSB-VDIM-W

## COMPACT 15W GENERAL-PURPOSE LED FLOODLIGHT

### GENERAL SETUP INSTRUCTIONS

#### GENERAL WIRING DIAGRAM



**Caution:** Before installing, make certain that AC power to the fixture is off.

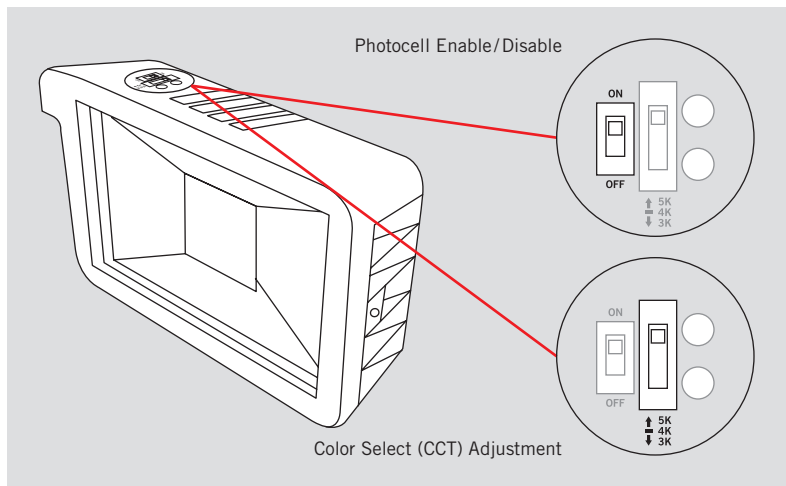
**Caution:** The electrical rating of this product is 120-277V. Installer must confirm that there is 120-277V at the fixture before installation.

#### PHOTOCELL ENABLE/DISABLE

This fixture is equipped with a dusk-to-dawn photocell behind the translucent knock-out (KO) cover. Adjust the dip switch to enable (ON) or disable (OFF) the photocell function (see illustrations to the right). Fixture comes preset with photocell enabled unless otherwise noted.

#### COLOR SELECT (CCT) ADJUSTMENT

This fixture is equipped with Color Select technology. There is an adjustable dip switch behind the translucent knock-out (KO) cover to change CCT between 5000K, 4000K, and 3000K (see illustrations to the right). Fixture comes preset at 5000K unless otherwise noted.



### ACCESSORIES (SOLD SEPARATELY)

Catalog Number	Description
KT-FLED-SM-1-KIT	Floodlight Wall Mount Kit
KT-FLED-RC-4-W	4" Round Floodlight Junction Box Cover, White
KT-FLED-RC-4	4" Round Floodlight Junction Box Cover, Bronze



# KT-FLED15-R1A-UNV-8CSB-VDIM-W

## COMPACT 15W GENERAL-PURPOSE LED FLOODLIGHT

**ORDERING INFORMATION**

CATALOG NUMBER	PACK QTY.	EASY CODE	UPC
KT-FLED15-R1A-UNV-8CSB-VDIM-W	1	NTS-16	843654128955

**CATALOG NUMBER BREAKDOWN**

# KT-FLED15-R1A-UNV-8CSB-VDIM-W

1	2	3	4	5	6	7	8	9	10	11	12	13
<b>1</b> Keystone Technologies	<b>2</b> Fixture Type	<b>3</b> LED Lamp	<b>4</b> Max Wattage	<b>5</b> Shape	<b>6</b> Series Designation	<b>7</b> Distribution	<b>8</b> Mounting	<b>9</b> CRI	<b>10</b> Color	<b>11</b> Color Select Designation	<b>12</b> Dimming	<b>13</b> Housing Color
	<b>F</b> Flood			<b>R</b> Rectangular	<b>1</b> General Purpose Floodlight	<b>A</b> Wide (7 × 7)	<b>UNV</b> Universal	<b>8</b> >80	<b>CS</b> Color Select	<b>B</b> 3000K, 4000K, 5000K		<b>Bronze</b>
												<b>B</b> Black
												<b>W</b> White