



KT-FLED15-R1A-UNV-8CSB-VDIM

COMPACT 15W GENERAL-PURPOSE LED FLOODLIGHT

DESCRIPTION

Compact 15W General-Purpose LED Floodlight | 120–277V Input
 | 3000–5000K | Bronze Housing | Multiple Mounting Options

APPLICATION

Building Mount or Ground Mount for outdoor illumination (landscapes, display signage, loading docks, building façades, pathways, parking areas, and other general site lighting requirements)



PRODUCT FEATURES

- Uniform, wide flood design (NEMA 7h x 7w distribution pattern)
- Heavy-duty, die cast aluminum housing featuring built-in glare visor and tempered glass lens
- Powered by Keystone 0–10V dimming LED drivers
- Keystone Color Select Technology: Adjustable CCT (3000K, 4000K, or 5000K)
- Built-in dusk-to-dawn photocell behind translucent 3/4" threaded plug with anti-yellowing agent
- Heavy-duty 1/2" knuckle mount with 90° adjustment and yoke mount options included
- Ambient operating temperature: –30°C/–22°F to 45°C/113°F
- UL listed for wet locations, IP65
- 0–10V dimming, 10% min
- Power Factor: >0.95
- THD: <20%
- LED chip lifetime: L70 >100,000 hrs @ 25°C/77°F ambient fixture temp
- Meets FCC Part 15, Part B, Class A standards for conducted and radiated emissions
- 18" input cable, pre-stripped
- Fixture impact rating IK06

ELECTRICAL SPECIFICATIONS

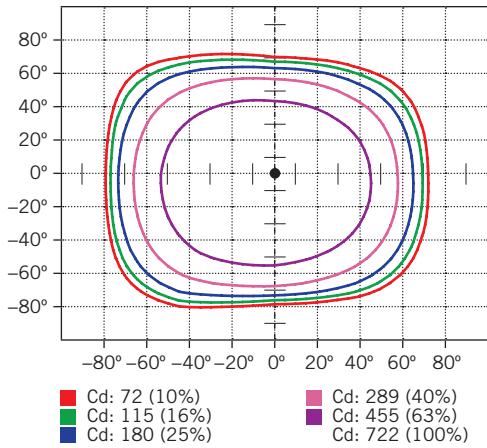
Catalog Number	Wattage	Lumens	Dimming	CCT*	Efficacy	CRI	Housing Color	Mounting	Input Voltage	Rated Life	Legacy Equivalent
KT-FLED15-R1A-UNV-8CSB-VDIM	15W	1920 lm	0–10V	3000K	128 lm/W	>80	Bronze	Universal: 1/2" Knuckle or yoke	120–277V	50,000 hrs	70W MH
		2175 lm		4000K	145 lm/W						
		2100 lm		5000K	140 lm/W						

* Color Uniformity: CCT (Correlated Color Temperature) range as per guidelines outlined in ANSI C78.377-2017

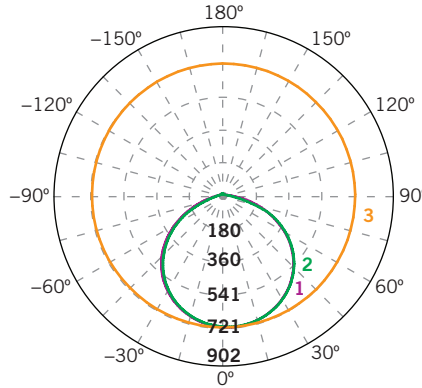
KT-FLED15-R1A-UNV-8CSB-VDIM
COMPACT 15W GENERAL-PURPOSE LED FLOODLIGHT

PHOTOMETRIC SPECIFICATIONS

ISOCANDELA PLOT



LUMINOUS INTENSITY DISTRIBUTION



Average diffuse angle (50%): **114.0°**

- 1 Violet C0-C180
- 2 Green C90-C270
- 3 Orange G6

Unit: cd

FLUX DISTRIBUTION

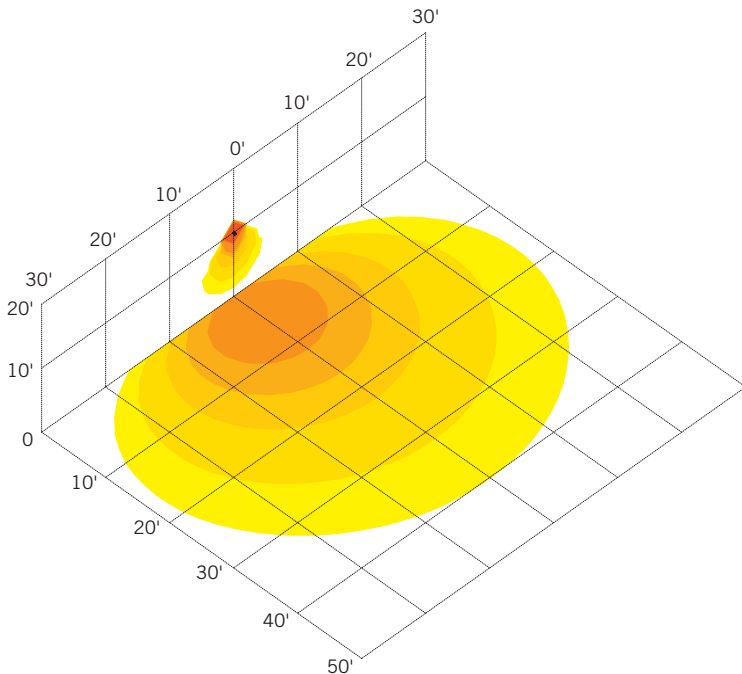
Zone	Lumens	% Luminaire
Forward Light	1,093 lm	53.7%
0°-30°	287 lm	14.1%
30°-60°	585 lm	28.7%
60°-80°	214 lm	10.5%
80°-90°	7 lm	0.4%
Back Light	925 lm	45.5%
0°-30°	277 lm	13.6%
30°-60°	513 lm	25.2%
60°-80°	134 lm	6.6%
80°-90°	2 lm	0.1%
Up Light	16 lm	0.8%
90°-100°	1 lm	0.0%
100°-180°	15 lm	0.7%

BUG* Rating	
Asymmetrical Luminaire Types	
Type I, II, III, IV	B1 U2 G1
Quadrilateral Symmetrical Luminaire Types	
Type V, Area Light	B1 U2 G0

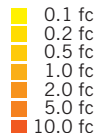
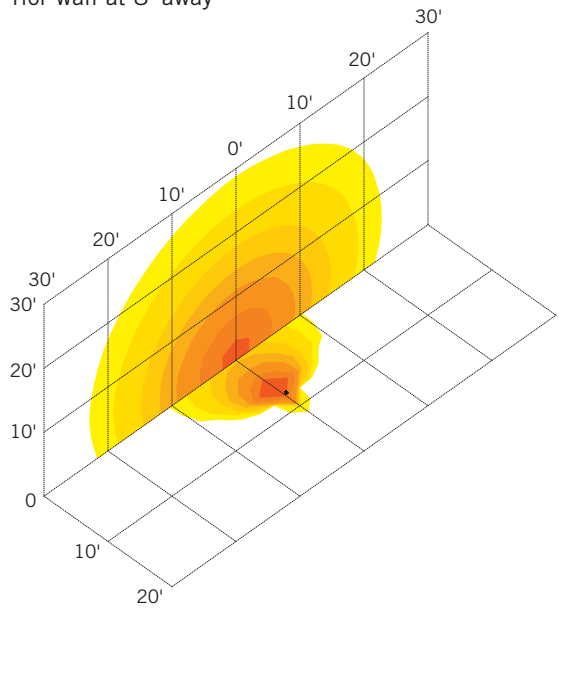
* Backlight, Uplight, Glare

LIGHT DISTRIBUTION PATTERNS (Isometric view from above)

Building exterior mounted at 10', 30° below horizontal



Ground mounted at 6" above ground, 10° above horizontal, shining towards building exterior wall at 8' away



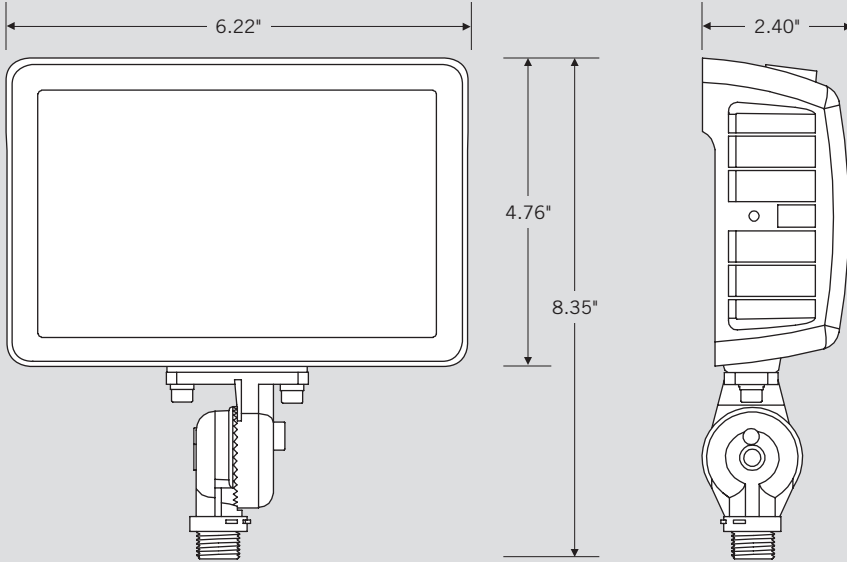


KT-FLED15-R1A-UNV-8CSB-VDIM

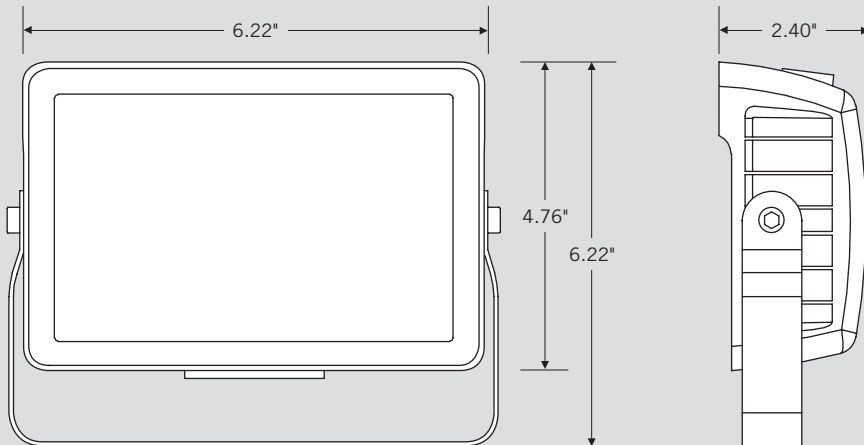
COMPACT 15W GENERAL-PURPOSE LED FLOODLIGHT

PHYSICAL SPECIFICATIONS

KNUCKLE MOUNT



YOKE MOUNT



	EPA
Mounted Vertical	0.25 sq/ft
Mounted Horizontal	0.12 sq/ft
Mounted 45°	0.26 sq/ft

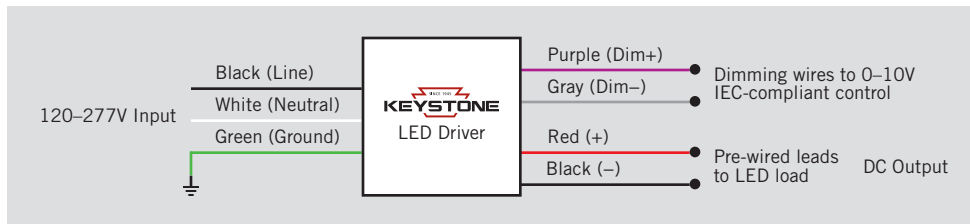


XFIT | FLOODLIGHT FIXTURES

KT-FLED15-R1A-UNV-8CSB-VDIM COMPACT 15W GENERAL-PURPOSE LED FLOODLIGHT

GENERAL SETUP INSTRUCTIONS

GENERAL WIRING DIAGRAM



Caution: Before installing, make certain that AC power to the fixture is off.

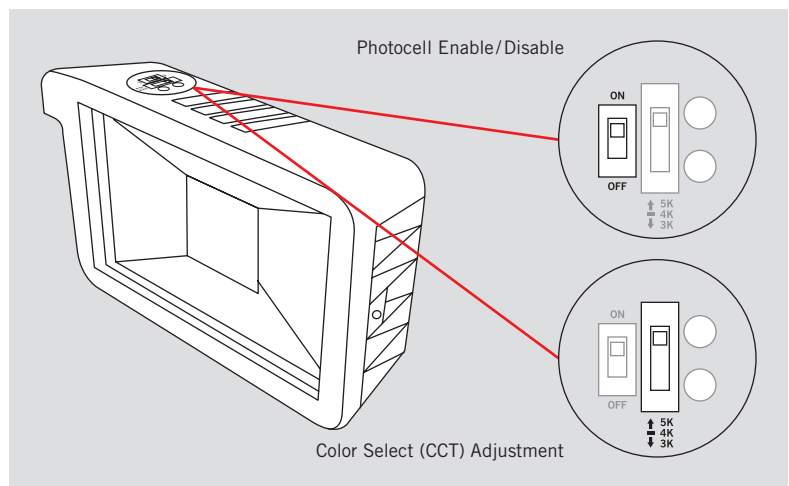
Caution: The electrical rating of this product is 120-277V. Installer must confirm that there is 120-277V at the fixture before installation.

PHOTOCELL ENABLE/DISABLE

This fixture is equipped with a dusk-to-dawn photocell behind the translucent knock-out (KO) cover. Adjust the dip switch to enable (ON) or disable (OFF) the photocell function (see illustrations to the right). Fixture comes preset with photocell enabled unless otherwise noted.

COLOR SELECT (CCT) ADJUSTMENT

This fixture is equipped with Color Select technology. There is an adjustable dip switch behind the translucent knock-out (KO) cover to change CCT between 5000K, 4000K, and 3000K (see illustrations to the right). Fixture comes preset at 5000K unless otherwise noted.



ACCESSORIES (SOLD SEPARATELY)

Catalog Number	Description
KT-FLED-SM-1-KIT	Floodlight Wall Mount Kit
KT-FLED-RC-4-W	4" Round Floodlight Junction Box Cover, White
KT-FLED-RC-4	4" Round Floodlight Junction Box Cover, Bronze



KT-FLED15-R1A-UNV-8CSB-VDIM

COMPACT 15W GENERAL-PURPOSE LED FLOODLIGHT

ORDERING INFORMATION

CATALOG NUMBER	PACK QTY.	EASY CODE	UPC
KT-FLED15-R1A-UNV-8CSB-VDIM	1	KHS-31	843654128948

CATALOG NUMBER BREAKDOWN

KT-FLED15-R1A-UNV-8CSB-VDIM

1	2	3	4	5	6	7	8	9	10	11	12	13
1 Keystone Technologies	2 Fixture Type	3 LED Lamp	4 Max Wattage	5 Shape	6 Series Designation	7 Distribution	8 Mounting	9 CRI	10 Color	11 Color Select Designation	12 Dimming	13 Housing Color
	F Flood			R Rectangular	1 General Purpose Floodlight	A Wide (7 × 7)	UNV Universal	8 >80	CS Color Select	B 3000K, 4000K, 5000K		Bronze
												B Black
												W White