



KT-LED94P-V-8CSI-S

4-PIN LED LAMP



DESCRIPTION

9.5W 4-Pin LED Lamp | Color Select 2700K, 4000K, 5000K | ≥ 82 CRI

LAMP TYPE: Compact
BULB TYPE: 4-Pin LED
BASE TYPE: G24q
WATTAGE: 9.5W
SELECTABLE COLOR TEMPERATURE: 2700K, 4000K, 5000K
COLOR RENDERING INDEX (CRI): ≥ 82
WARRANTY: 5 Years



PRODUCT FEATURES

- Replacement for conventional CFL 26W/32W/42W G24q lamps
- LED plug and play: directly compatible with most existing CFL ballasts
- Operating temperature: -20°C/-4°F to 45°C/113°F
- Instant startup
- Environmentally friendly: no mercury used
- Frosted lens eliminates pixelation
- UL listed
- Save 50% on energy consumption when compared to a typical CFL lamp
- Extend the useful life up to four times
- Install quickly with our plug and play design

OPERATING SPECIFICATIONS

ELECTRICAL CHARACTERISTICS

Input Voltage	Lamp Wattage	Power Factor	System Wattage
Ballast Dependent	9.5W	>0.9	11W

PHOTOMETRIC CHARACTERISTICS

Color Temperature (CCT)	2700K*	4000K	5000K
Luminous Flux	1000	1120	1150
Color Rendering Index (CRI)	≥ 82	≥ 82	≥ 82
Bare Lamp Efficacy	105	118	121

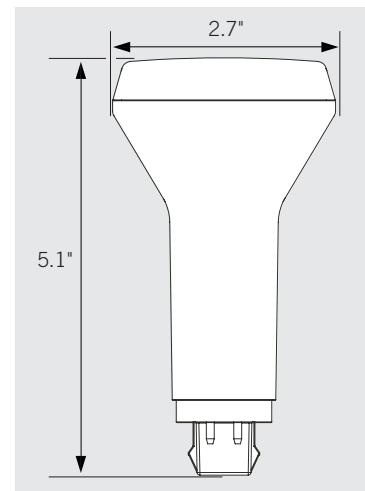
*Preset to 2700K

RATED LIFE

L70 (Hours)	50,000
-------------	--------

PHYSICAL CHARACTERISTICS

LAMP DIMENSIONS





KT-LED94P-V-8CSI-S

4-PIN LED LAMP

ORDERING INFORMATION

ORDER CODE	PACK QTY.	UPC	EASY CODE
KT-LED94P-V-8CSI-S	50	843654137742	AQU-27

CATALOG NUMBER BREAKDOWN

KT-LED94P-V-8CSI-S

1 2 3 4 5 6 7 8 9

1 Keystone Technologies

2 LED Lamp

3 Wattage

4 4-Pin Lamp Type

5 Vertical Orientation

6 80 CRI

7 Color Select

8 Color Select Designation

9 Smart Drive Series

8 Color Select Designation

I 2700K, 4000K, 5000K