



KTG45-2L-370-UV-PS-C1

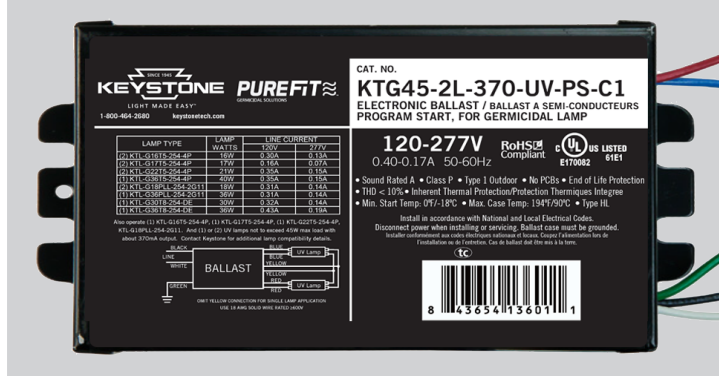
GERMICIDAL LAMP BALLAST

DESCRIPTION

Ballast for UV-C Lamps | 120-277V input | Design to run 1 or 2 lamps not to exceed 45W Max Load | ~370mA Output | Compact Case Style

APPLICATION

For use in fixtures specifically designed for disinfection purposes using UV-C 254nm light sources. (Water purification, HVAC air handling, Food processing, clean room, and other general sterilization and disinfection needs)



PRODUCT FEATURES

- Ballast designed for Germicidal / UV-C low-pressure mercury arc lamps
- Program Start Design ensures starting conditions that are optimal for lamp life, particularly when used in conjunction with occupancy sensors
- Transient Protection Meets ANSI/IEEE C62.41-2002 Cat A.
- Meets FCC Part 18 (Class A) Non-consumer Limits
- Sound Rated A.
- UL Listed (Class P, Type 1 Outdoor, Type HL)
- Lamp End of Life Protection
- No PCB's
- 120-277V Input 50/60Hz
- Maximum Case Temperature: 194°F, 90°C
- Minimum Start Temp: 0°F, -18°C

PERFORMANCE SPECIFICATIONS

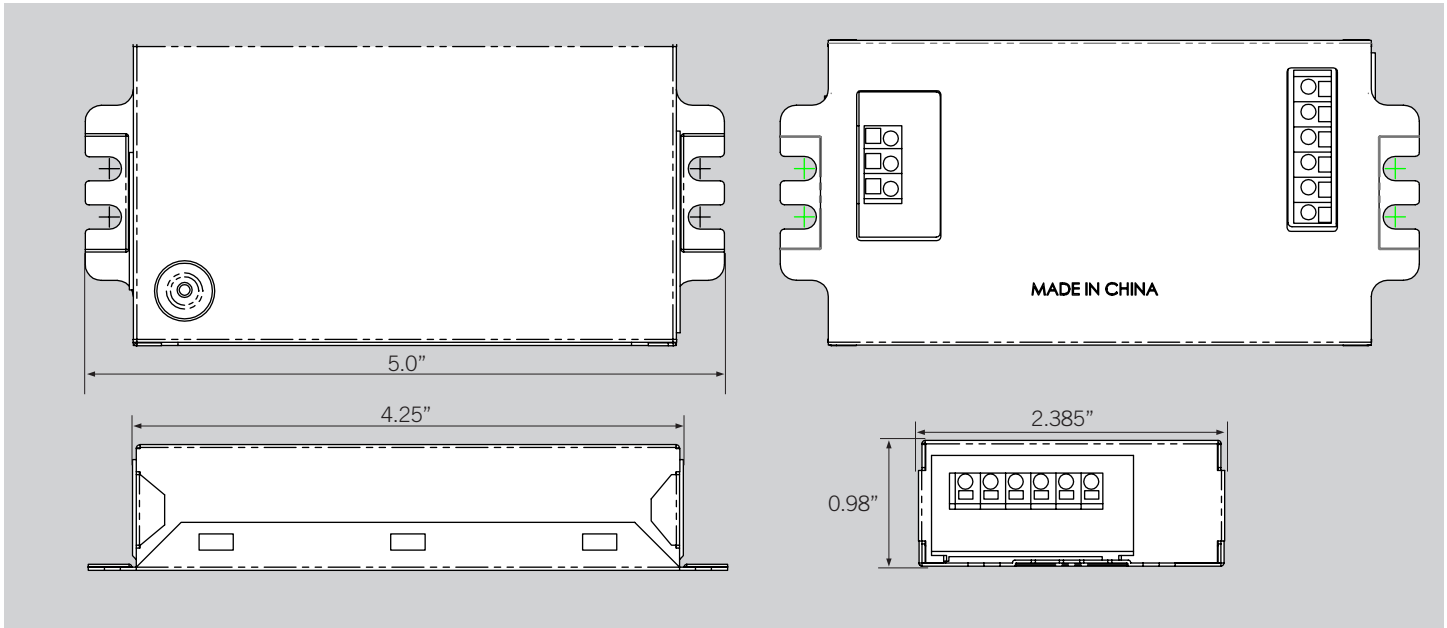
Lamp Type	# of Lamps	Input Voltage (V)	Input Power (W)	Input Current (A)	Power Factor	Crest Factor	Lamp Current (mA)	Lamp Power (W) per lamp	Max. THD
KTL-G16T5-254-4P (GPH317T5L/4P)	1	120	19	0.16	0.992	<1.7	380	12	<10
		277	19	0.07	0.895	<1.7	380	12	<20
	2	120	36	0.3	0.996	<1.7	350	13	<10
		277	35	0.13	0.967	<1.7	350	13	<20
KTL-G17T5-254-4P (GPH357T5L/4P)	1	120	20	0.17	0.992	<1.7	370	14	<10
		277	21	0.08	0.923	<1.7	370	14	<10
	2	120	36	0.3	0.996	<1.7	350	14	<10
		277	35	0.13	0.968	<1.7	350	13	<10
KTL-G22T5-254-4P	1	120	24	0.2	0.993	<1.7	370	17	<10
		277	24	0.09	0.936	<1.7	370	17	<10
	2	120	42	0.35	0.997	<1.7	340	16	<10
		277	41	0.15	0.976	<1.7	340	16	<10
KTL-G36T5-254-4P	1	120	42	0.35	0.997	<1.7	370	34	<10
		277	41	0.15	0.996	<1.7	370	34	<10
	1	120	21	0.18	0.994	<1.7	390	16	<10
		277	22	0.09	0.93	<1.7	390	17	<10
KTL-G18PLL-254-2G11	2	120	38	0.31	0.997	<1.7	360	15	<10
		277	37	0.14	0.971	<1.7	360	15	<10
		120	37	0.31	0.997	<1.7	380	31	<10
KTL-G36PLL-254-2G11	1	277	38	0.14	0.972	<1.7	380	32	<10
		120	39	0.32	0.997	<1.7	370	31	<10
KTL-G30T8-254-DE	1	277	38	0.14	0.972	<1.7	370	30	<10
		120	52	0.43	0.998	<1.7	370	43	<10
KTL-G36T8-254-DE	1	277	52	0.19	0.984	<1.7	370	46	<10



KTG45-2L-370-UV-PS-C1

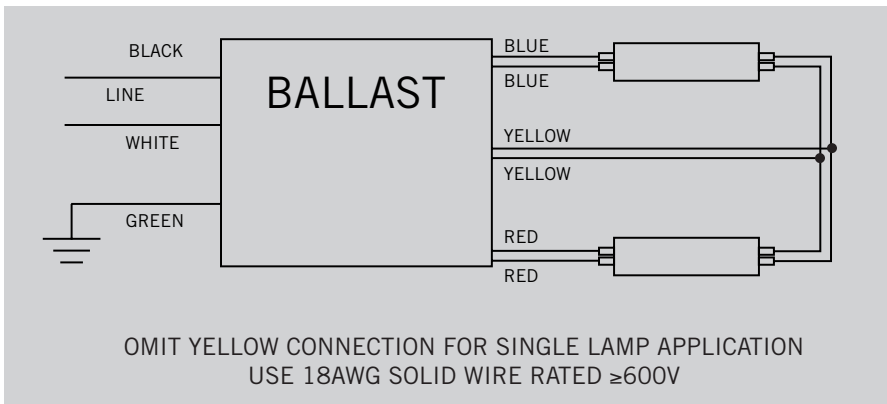
GERMICIDAL LAMP BALLAST

PHYSICAL DIMENSIONS



WIRING

Wiring Diagram





KTG45-2L-370-UV-PS-C1

GERMICIDAL LAMP BALLAST

ORDERING INFORMATION

ORDER CODE	PACK QTY.	UPC	EASY CODE
KTG45-2L-370-UV-PS-C1	TBD	843654136011	QSJ-23

CATALOG NUMBER BREAKDOWN

KTG45-2L-370-UV-PS-C1

1 2 3 4 5 6 7

- 1 Keystone Technologies Germicidal Ballast
- 2 Max. Recommended Lamp Power
- 3 2 Lamps
- 4 Nominal Output Current
- 5 120-277V
- 6 Program Start
- 7 Compact Style

DISCLAIMERS

- **UV-C RISK GROUP 3** (per ANSI/IESNA RP-27.3-96)
- **WARNING:** These lamps emit high power UV radiation. Avoid eye and skin exposure to unshielded product. Follow all installation instructions and user manuals.
- **THIS PRODUCT CAN CAUSE INJURY IF IMPROPERLY USED.** Do not attempt to look at the lamp during operation.
- UV-C radiation is harmful to the skin and eyes. Ensure people and animals avoid direct exposure to UV-C. When installing the lamps, make sure the devices installation manual is followed and lamps are not switched on during the installation process. Follow all warning statements on the lamp and device packaging.
- Materials that are exposed to UV-C for a long time may become damaged and/or discolored. Take care to prevent paintings, artwork, plants, and other objects from exposure to avoid damage.
- Use only in products specially designed to accept UV-C lamps. Lamps should be used in an enclosed environment and/or within specially designed devices to ensure users and/or occupants are always shielded from the radiation.
- Do not install these lamps in standard fluorescent fixtures or use for general lighting applications.

With regards to the effectiveness in the inactivation of certain viruses, bacteria, fungi, or other harmful pathogens or micro-organisms: Keystone Technologies, LLC does not promise or warrant that the use of the UV-C lamps described here will protect any user (either direct or indirect) from or prevent infection and/or contamination with any viruses, bacteria, fungi, or other harmful pathogens or micro-organisms. The UV-C lamps are NOT approved or certified as a medical device by the FDA or any other regulatory body. As such, they are not intended for use to disinfect medical devices or equipment without further fixture level certifications. In addition to and without limitation of any exclusions or limitations of liability of Keystone Technologies, LLC as set forth in any agreement for the sale, distribution or otherwise making available of the UV-C lamps and power supplies, Keystone shall have no responsibility or liability whatsoever for any claim or damage that may arise from or relate to any use of the UV-C lamps outside of their intended use or contrary to their installation and operation instructions, each as described in this document, the user manuals and/or the mounting instructions.